

UC-AUDIO-1-B KIT

Crestron Flex Pod Wireless Audio Kit with Hub and Pod, Black



- A wireless audio conference solution including a Crestron Flex Pod and Hub
- Wireless connectivity enables placement of the pod anywhere on a conference table
- Convenient in-call volume and mic mute controls
- Speaker volume indicator and LED indicator ring display the operational status
- Optional tabletop mounting accessory and Kensington® lock support
- Built-in AEC and noise reduction affords exceptional full-duplex audio performance with highly intelligible, echo-free two-way voice quality
- Up to four pods connect wirelessly to the hub which sends and receives audio to a UC Engine through a USB-C® connection
- DECT™ technology ensures minimal interference and robust security

The Crestron Flex UC-AUDIO-1-B KIT is a wireless conferencing system that provides a small to large room audio conference solution. The kit includes a Crestron Flex [UC-AUDIO-POD](#) and [UC-AUDIO-HUB](#). The system can be expanded to support up to four pods, delivering a high-quality audio experience when connected to the hub through the Digital Enhanced Cordless Telecommunications (DECT™) technology.

High-Quality Audio

The pod delivers intelligible and high-quality audio across every corner of a room. It contains four auto-mixed directional mics that provide 360-degree pickup, high-quality echo cancellation, automatic gain compensation, and noise reduction.

Wireless Connectivity

The hub wirelessly connects with and distributes audio to up to four paired pods, enabling the pods to be placed anywhere within a room. This allows the hub and the pods to be deployed in large conference rooms and multi-purpose meeting spaces. Audio level consistency is realized as volume levels are synchronized across all the pods.

Outstanding Adaptability

The pod is scalable across a variety of room types, including unconventionally shaped ones and those with challenging designs. In an open architecture design or where walls and ceilings cannot be opened to wires, the pod provides an audio solution ensuring that neither room aesthetics nor optimal audio are compromised. The pod, when connected with the hub, can easily be moved if furniture changes, and additional pods can be added if the room expands. Pods can be deployed in spaces with video conferencing hosted by personal devices to enable productive hybrid meetings with high-quality audio.

Robust Security

The pod delivers audio over long distances, making it optimal for larger spaces. The DECT technology ensures that only paired pods transmit audio from the intended hub. The pod provides safe and secure audio transmission leveraging DECT technology. DECT uses multiple levels of security and does not interfere with other wireless technologies, such as Wi-Fi® and Bluetooth®.

Easy Device Management

The configuration and connection status of the system can be monitored through a simple web user interface with no prior setup. Deploying the pods and the hub across multiple room types, firmware updates, monitoring, and management can be controlled using the XiO Cloud® service.

Specifications

UC-AUDIO-POD

Driver	One full range 2 in. speaker
Frequency Response	100 Hz to 7 kHz
Effective Output Level	74 dB SPL at 1 m
Microphones	360° quad mic array Pickup Range: 7.5 ft (approx. 2.3 m)
Audio (DSP)	Acoustic echo cancellation, automatic gain control, dynamic noise suppression, and speaker volume control Full-duplex IEEE 1329 Type 1 compliant

UC-AUDIO-1-B KIT

Crestron Flex Pod Wireless Audio Kit with Hub and Pod, Black

Wireless Communication	Frequency bands: DR1: 1920 – 1930 MHz 5 channels (For US and Canada only) DR2: 1880 – 1900 MHz 10 channels (For Europe, Australia, New Zealand, Israel, Saudi Arabia, Kuwait, Qatar, United Arab Emirates, Yemen, Oman, Hong Kong, Singapore and Iraq) DR3: 1894 – 1906 MHz 6 channels (For Japan) DR4: 1790 – 1800 MHz 3 channels (For Korea) Range up to 50 ft (approx. 15 m) indoors	UC-AUDIO-HUB	Frequency bands: DR1: 1920 – 1930 MHz 5 channels (For US and Canada only) DR2: 1880 – 1900 MHz 10 channels (For Europe, Australia, New Zealand, Israel, Saudi Arabia, Kuwait, Qatar, United Arab Emirates, Yemen, Oman, Hong Kong, Singapore and Iraq) DR3: 1894 – 1906 MHz 6 channels (For Japan) DR4: 1790 – 1800 MHz 3 channels (For Korea) Range up to 50 ft (approx. 15 m) indoors
Indicators	Green LED indicates microphone is unmuted Red LED indicates microphone is muted White LED indicates the speaker volume level	Indicators	Power: Green/Amber LED indicates the power is on Sync: Five SYNC LEDs indicate pairing and connection with each pod ¹
Buttons	Speaker volume up/down: Capacitive, backlit Mic mute: Capacitive, backlit Pair: Push button Reset: Recessed push button	Buttons	Pair: Tactile push button Reset: Recessed push button
USB-C	5VDC, 3A via external 100-240VAC power pack (included with the pod)	USB-C	USB-C (PC) Connection for Audio and HID data
Security Port	Kensington Security Slot™ port	24VDC, 0.75A	24VDC, 0.75A via external 100-240VAC power pack (included with the hub)
Environmental	Temperature: 41° to 104° F (5° to 40° C) Humidity: 10% to 95% RH (non-condensing) Heat dissipation: 12 BTU/hr	LAN Power over Ethernet	1000 Mbps Ethernet, PoE PD 4W, Class 0
Enclosure	Lightly textured black/white finish, plastic housing, perforated stainless steel grilles, and die-cast aluminum bottom cover	External Antenna	Input Impedance: 50 Ω; Connector Type: SMA-RP
Mounting	Tabletop mounting only	Environmental	Temperature: 41° to 104° F (5° to 40° C) Humidity: 10% to 95% RH (non-condensing) Heat dissipation: 12.3 BTU/hr
Dimensions	Height: 3.0 in. (76 mm) Width: 4.40 in. (112 mm) Depth: 4.40 in. (112 mm)	Enclosure	Lightly textured black finish, plastic housing
Weight	1.6 lb (726 g)	Mounting	Freestanding, stackable, surface mount and wall/ceiling mount option with bracket (black plastic)
		Dimensions	Height: 1.35 in. (34 mm), 1.77 in. (45 mm) with bracket Width: 5.04 in. (128 mm), 5.36 in. (137 mm) with bracket Depth: 5.04 in. (128 mm)
		Weight	8.9 oz (253 g) without bracket

UC-AUDIO-1-B KIT

Crestron Flex Pod Wireless Audio Kit with Hub and Pod, Black

Models

UC-AUDIO-1-B-DR1 KIT

Crestron Flex Pod Wireless Audio Kit with Hub and Pod, Black

UC-AUDIO-1-B-DR2 KIT

Crestron Flex Pod Wireless Audio Kit with Hub and Pod, Black

UC-AUDIO-1-B-DR3 KIT

Crestron Flex Pod Wireless Audio Kit with Hub and Pod, Black

UC-AUDIO-1-B-DR4 KIT

Crestron Flex Pod Wireless Audio Kit with Hub and Pod, Black

Available Accessories

For supported accessories, visit the appropriate UC-AUDIO-1-B KIT product page at www.crestron.com.

Note:

1. Four pods are supported for initial product launch.

This product may be purchased from select authorized Crestron dealers and distributors. To find a dealer or distributor, please contact the Crestron sales representative for your area. A list of sales representatives is available online at www.crestron.com/How-To-Buy/Find-a-Representative or contact us for additional information by visiting www.crestron.com/contact/our-locations for your local contact.

The original language version of this document is U.S. English. All other languages are a translation of the original document.

The product warranty can be found at www.crestron.com/warranty.

The specific patents that cover Crestron products are listed online at www.crestron.com/legal/patents.

Certain Crestron products contain open source software. For specific information, please visit www.crestron.com/opensource.

Crestron, the Crestron logo, and XiO Cloud are either trademarks or registered trademarks of Crestron Electronics, Inc. in the United States and/or other countries. Kensington and Kensington Security Slot are either trademarks or registered trademarks of ACCO Brands Corporation and its subsidiaries in the United States and/or other countries. Bluetooth is either a trademark or registered trademark of Bluetooth SIG, Inc. in the United States and/or other countries. DECT is either a trademark or registered trademark of the European Telecommunications Standards Institute in the United States and/or other countries. USB-C is either a trademark or registered trademark of USB Implementers Forum, Inc. in the United States and/or other countries. Wi-Fi is either a trademark or registered trademark of Wi-Fi Alliance in the United States and/or other countries. Other trademarks, registered trademarks, and trade names may be used in this document to refer to either the entities claiming the marks and names or their products. Crestron disclaims any proprietary interest in the marks and names of others. Crestron is not responsible for errors in typography or photography.

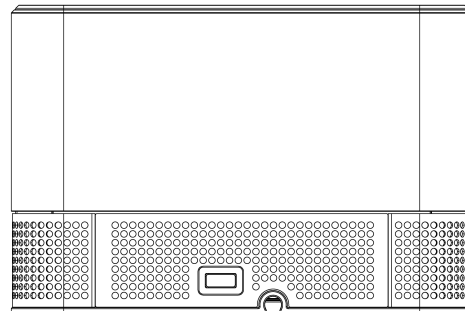
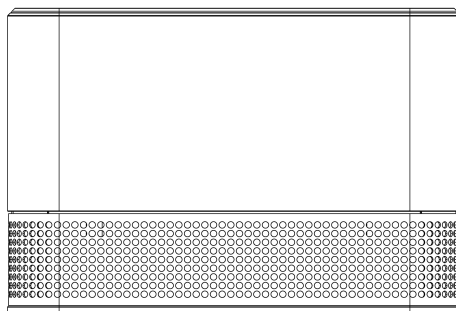
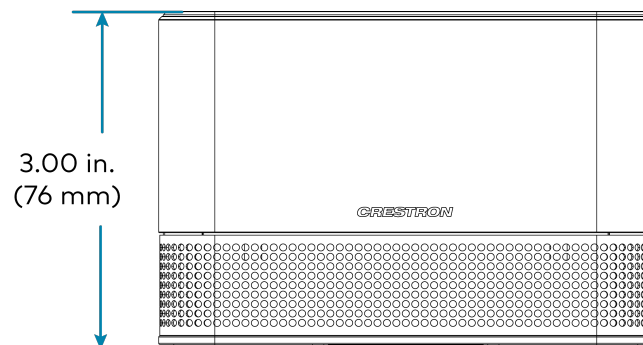
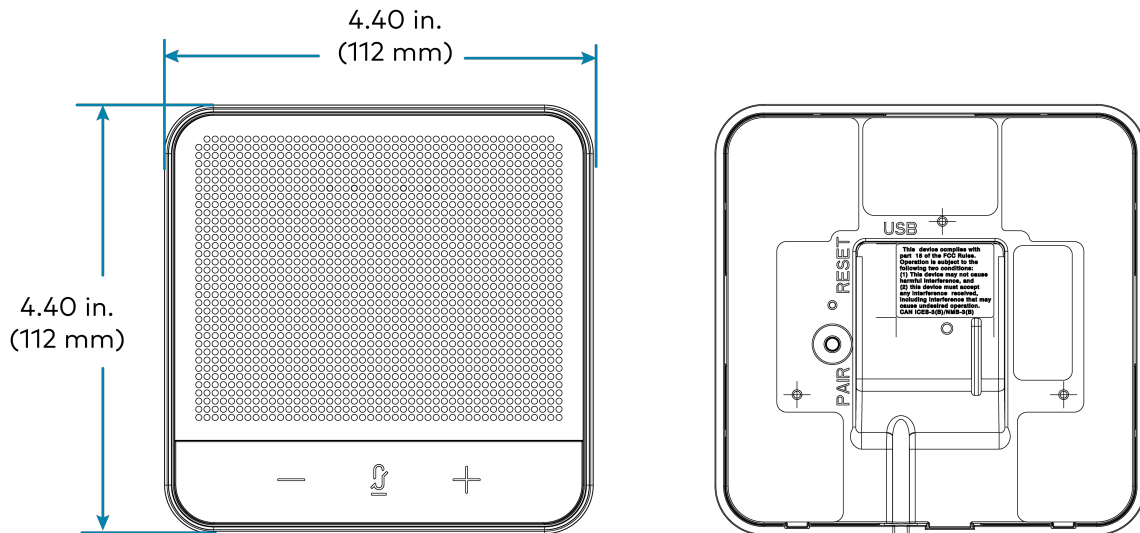
Specifications are subject to change without notice.

©2024 Crestron Electronics, Inc.

Rev 04/19/24

UC-AUDIO-1-B KIT

Crestron Flex Pod Wireless Audio Kit with Hub and Pod, Black



UC-AUDIO-1-B KIT

Crestron Flex Pod Wireless Audio Kit with Hub and Pod, Black

