

TS-5-MSMK

Multisurface Mount Kit for TSW-560, TSW-560P, and TSW-560-NC



- Enables mounting a TSW-560, TSW-560P, or TSW-560-NC touch screen to virtually any flat, smooth surface
- Ideal for mounting at the entrance to a meeting space for room scheduling applications
- Compatible with TSW-560-LB light bar for clear indication of the room availability status
- Secure, screwless installation using peel-and-stick adhesive mounting plate
- Perfect for mounting to a glass wall or partition
- Includes an assortment of raceway to conceal wiring
- Includes a choice of two rear housings to support desired cable route for ultra-clean appearance
- Available in black or white finish

The TS-5-MSMK multisurface mount kit provides a versatile surface mounting solution for a TSW-560, TSW-560P, or TSW-560-NC touch screen. Using the multisurface mount kit, the touch screen can be mounted directly to glass, granite, marble, wood paneling, plaster, smooth masonry, or virtually any other flat surface. The TS-5-MSMK is ideal for mounting at the entrance to a meeting space for room scheduling applications, and it is compatible with the TSW-560-LB light bar to provide a clear indication of the room availability status.

The TS-5-MSMK attaches securely to a flat, smooth surface without screws using the included peel-and-stick adhesive mounting plate. For a finished appearance when mounted to a transparent glass wall, an adhesive molded plastic cap is provided, which simply affixes to the opposite side of the glass behind the unit. An overlay template for the plastic cap is also provided to help ensure that the cover is properly aligned with the rear of the mounting plate.

The TS-5-MSMK comes complete with a self-adhering plastic raceway for use on smooth surfaces, which conceals cables running to the touch screen from the floor, ceiling, or an adjacent wall, pillar, or mullion. The raceway is paintable and is composed of three 3 ft (0.91 m) sections, as well as an assortment of elbows and couplings.

The TS-5-MSMK also comes with two rear housings—one with a cutout hole in the top of the housing and one with a cutout hole in the side of the housing—for an ultra-clean finished appearance. Depending on the desired cable route, the appropriate rear housing can be used in the installation to eliminate any visible, unused cutout holes.

Specifications

Construction

Housing: Plastic, black or white finish

Surface Mounting: Peel-and-stick adhesive mounting to glass or other flat, smooth surface

Raceway: Peel-and-stick adhesive mount plastic raceway, white (paintable), 0.77 in. W x 0.46 in. D (19.6 mm W x 11.7 mm D) profile; includes (3) 3 ft (0.91 m) straight sections, (2) straight couplers, (2) 90° flat elbows, (1) inside elbow, and (1) outside elbow

Dimensions

Without touch screen:

Height: 2.66 in. (68 mm)

Width: 4.84 in. (123 mm)

Depth: 1.81 in. (46 mm)

With touch screen installed:

Height: 3.48 in. (88 mm)

Width: 5.69 in. (144 mm)

Depth: 2.29 in. (58 mm)

With touch screen and light bar installed:

Height: 3.49 in. (89 mm)

Width: 6.06 in. (154 mm)

Depth: 2.40 in. (61 mm)

Weight

1.85 oz (52 g) without touch screen, light bar, or raceway

TS-5-MSMK

Multisurface Mount Kit for TSW-560, TSW-560P, and TSW-560-NC

Models and Accessories

Available Models

TS-5-MSMK-B

Multisurface Mount Kit for TSW-560, TSW-560P, and TSW-560-NC, Black

TS-5-MSMK-W

Multisurface Mount Kit for TSW-560, TSW-560P, and TSW-560-NC, White

This product may be purchased from select authorized Crestron dealers and distributors. To find a dealer or distributor, please contact the Crestron sales representative for your area. A list of sales representatives is available online at <https://www.crestron.com/How-To-Buy/Find-a-Representative> or by calling 855-263-8754.

The specific patents that cover Crestron products are listed online at www.crestron.com/legal/patents.

Certain Crestron products contain open source software. For specific information, please visit www.crestron.com/opensource.

Crestron and the Crestron logo are either trademarks or registered trademarks of Crestron Electronics, Inc. in the United States and/or other countries. Other trademarks, registered trademarks, and trade names may be used in this document to refer to either the entities claiming the marks and names or their products. Crestron disclaims any proprietary interest in the marks and names of others. Crestron is not responsible for errors in typography or photography.

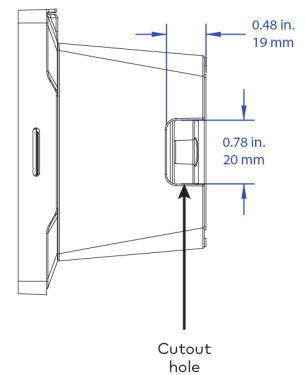
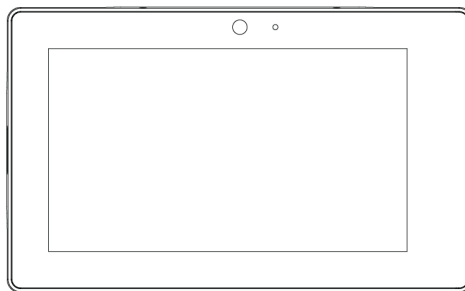
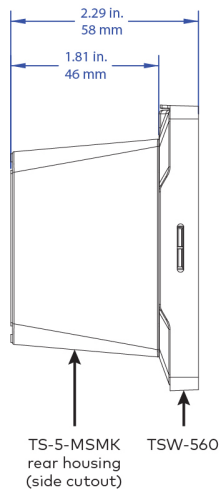
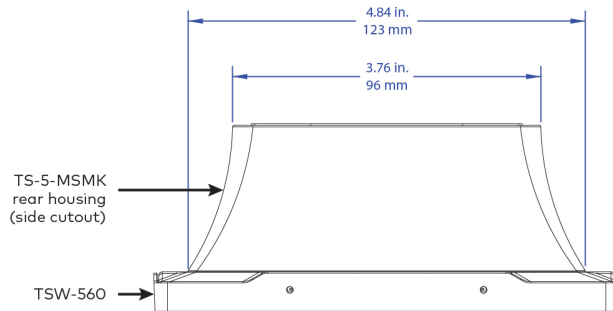
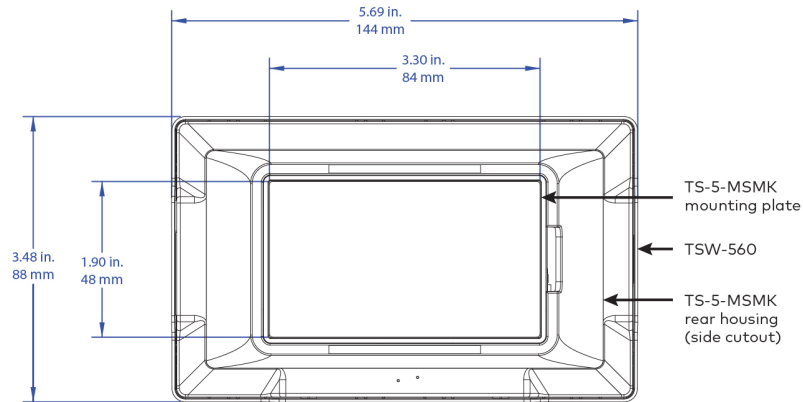
Specifications are subject to change without notice.

©2019 Crestron Electronics, Inc.

Rev 05/23/19

TS-5-MSMK

Multisurface Mount Kit for TSW-560, TSW-560P, and TSW-560-NC



TS-5-MSMK

Multisurface Mount Kit for TSW-560, TSW-560P, and TSW-560-NC

