

Crestron Flex Tabletop UC Video Conference System for Zoom Rooms™ Software

The Crestron Flex Tabletop UC Video Conference System for Zoom Rooms™ software ([UC-MX150-Z](#)) delivers a powerful, professional solution for knowledge workers who want the Zoom Rooms software experience in small to midsize meeting and conference rooms.

Conference room visitors can connect their laptop computer to the Crestron Flex system to use their own UC conference platform (BYOD). The system automatically switches to the connected laptop's UC platform and returns to the native Zoom Rooms environment when disconnected.

View the [Crestron Flex Pre-Deployment Checklist](#) to help plan your Crestron Flex installation.

Minimum Requirements

- A video display, connected to the UC-ENGINE-Z. The system supports a second display if desired.
- A Zoom Rooms account or activation code

Optional Accessories

- [CCS-UCA-SMK](#) Swivel Mount Kit
- [CCS-UCA-MIC KIT](#) Microphone Pods



In the Box

UC Engine Bracket Assembly

- 1 UC-BRKT-150-Z-ASSY (6511073)
- 1 PW-2412WU, Power Pack (2045870)
- 1 Power cord
- Mounting Hardware

Crestron Mercury® X Tabletop Conference System

- 1 CCS-UC-1-X (6510610)
- 1 PW-2420RU, Power Supply (2045873) with cord (2042043)
- 1 Cable, CAT5e, RJ-45 Male - RJ-45 Male, 12 ft (3.6 m) (2033988)
- Cable Management Hardware

Accessories

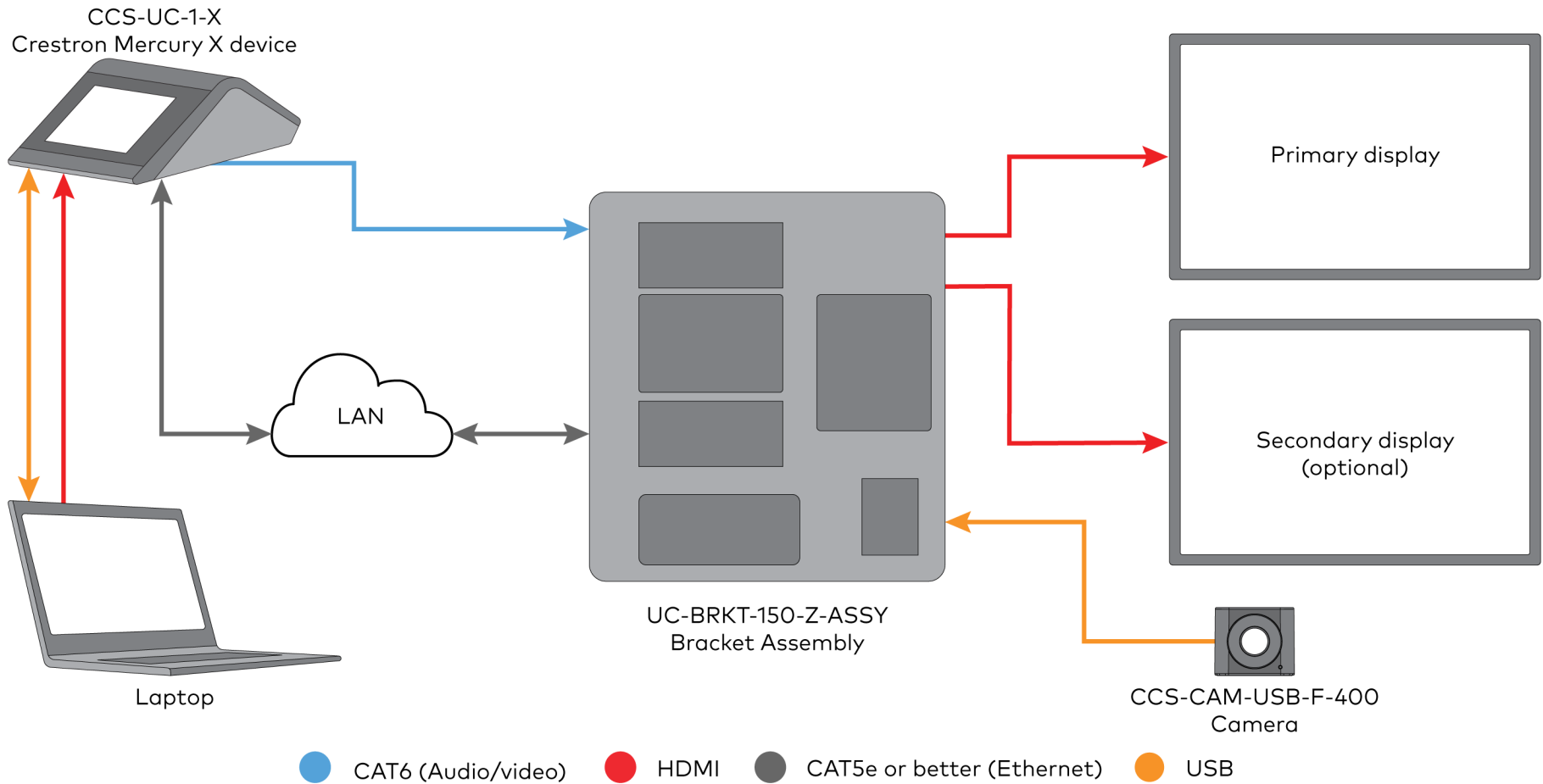
- 1 CCS-CAM-USB-F-400, Huddly IQ™ Collaboration Camera (6510482)
- 1 CBL-CAT5E-7, CAT5e cable, RJ-45-to-RJ-45, Black, 7 ft (2.1 m) (6509924)
- 2 CBL-HD-THIN-HS-6, Thin HDMI® cable, 6 ft (1.8 m) (6510946)
- 1 CBL-USB-A-BMICRO-6, USB 2.0 A - Micro-B, 6 ft (1.8 m) (6510947)
- 1 CBL-USBC-HD-9, USB 3.0 to HDMI Converter cable, 9 ft (2.7 m) (6510718)
- 1 DM-CBL-ULTRA-PC-20, DigitalMedia™ Ultra Patch cable (CAT6), 20 ft (6.1 m) (6507640)
- 1 UC-CAM-WMK, Wall Mount Kit for Crestron Cameras (6510998)

Crestron Flex Tabletop UC Video Conference System for Zoom Rooms™ Software



Overview

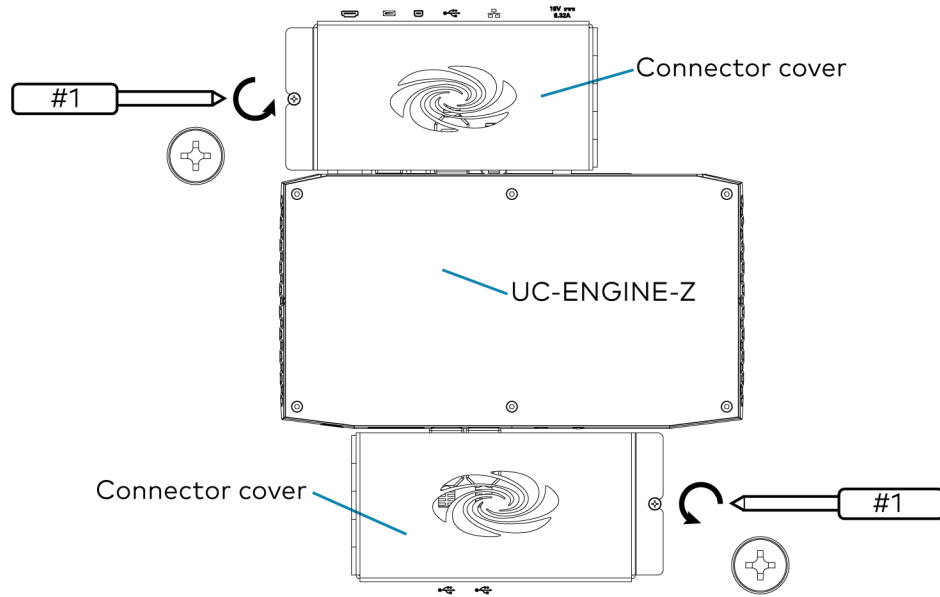
The following diagram illustrates standard system connections. The room display(s) and laptop are not included with this conference system.



Crestron Flex Tabletop UC Video Conference System for Zoom Rooms™ Software

Connect

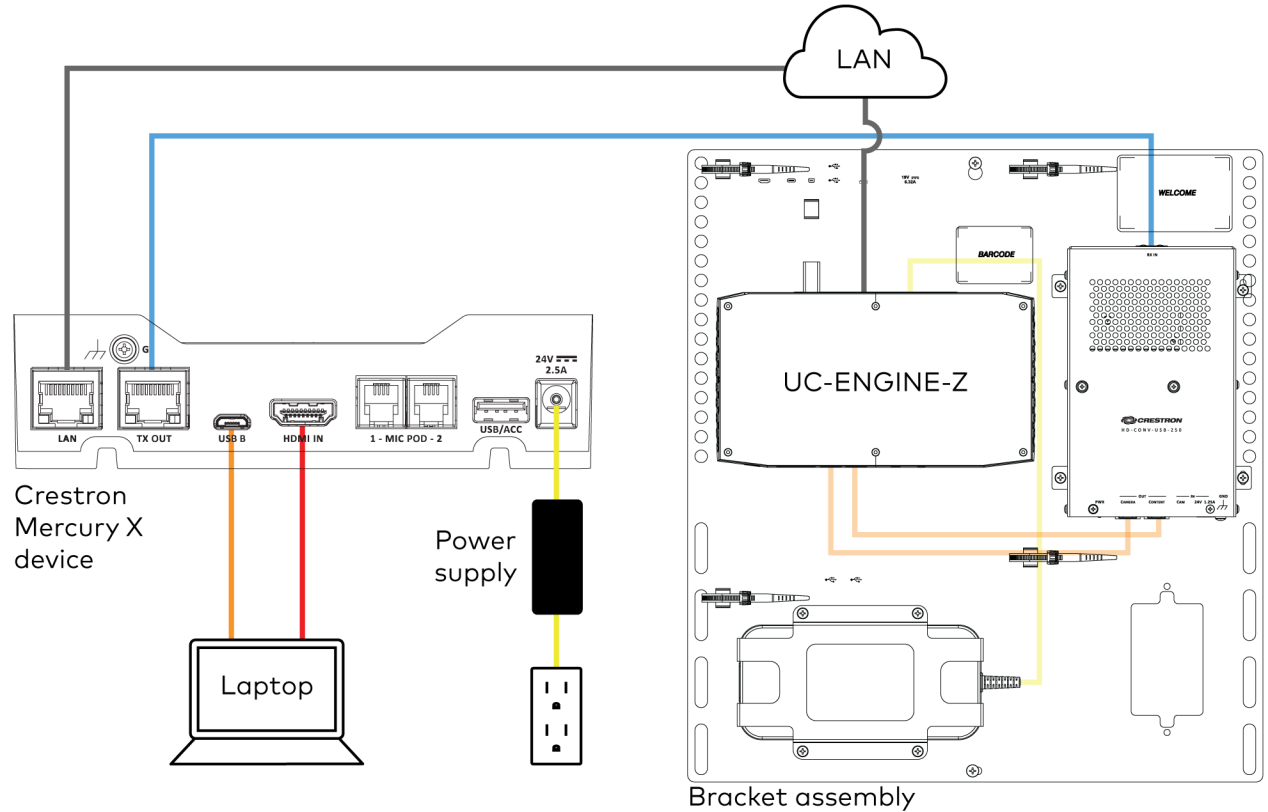
1. Remove the connector covers prior to making UC-ENGINE-Z connections on the bracket assembly.



Crestron Flex Tabletop UC Video Conference System for Zoom Rooms™ Software

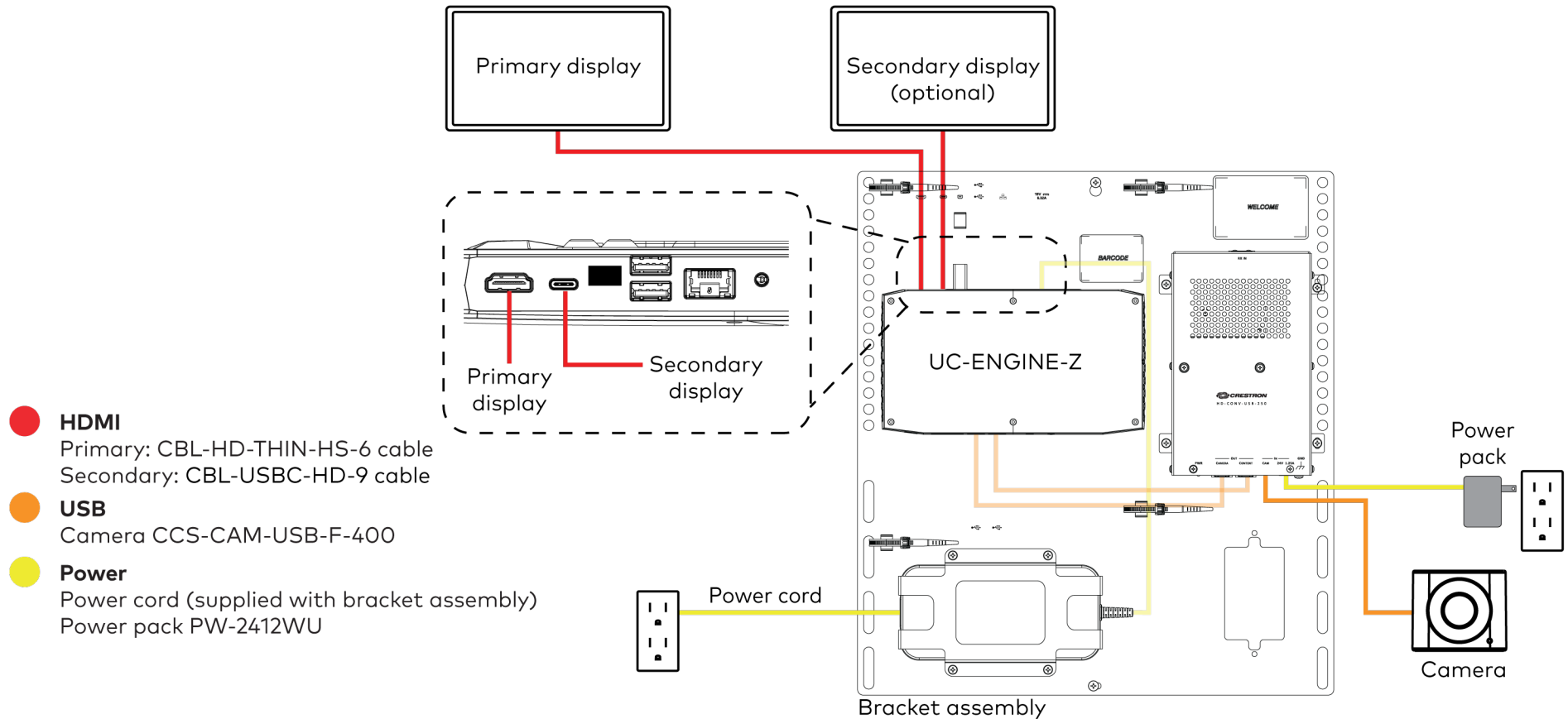
2. Make connections to the Crestron Mercury X device and components on the bracket assembly as shown in the following illustration.

- **HDMI**
6 ft CBL-HD-THIN-HS-6 cable
- **Power**
Power supply PW-2420RU
Power cord (supplied with power supply)
- **USB**
Audio (in BYOD mode)
6 ft CBL-USB-A-BMICRO-6 cable
- **CAT5e or better**
Ethernet
7 ft CBL-CAT5E-7 cable
12 ft CAT5e cable
(supplied with Crestron Mercury X device)
- **CAT6**
Audio/video
20 ft DM-CBL-ULTRA-PC-20 cable



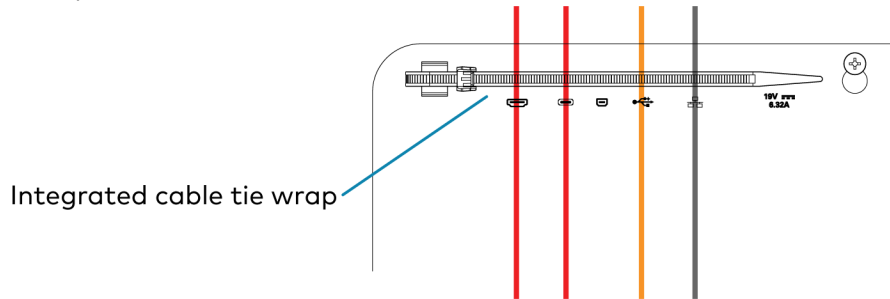
Crestron Flex Tabletop UC Video Conference System for Zoom Rooms™ Software

3. Connect the display devices and camera to components on the bracket assembly as shown below.



Crestron Flex Tabletop UC Video Conference System for Zoom Rooms™ Software

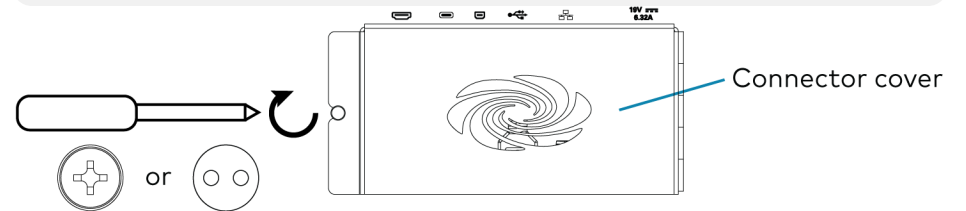
- Bundle the cables with the integrated cable tie wraps. The cable tie wraps are reusable.



Complete the Installation

After completing UC-ENGINE-Z connections, secure the connector covers using a #1 Phillips head screwdriver to replace the screws.

NOTE: For additional security, replace the screws with the spanner screws included with the bracket assembly. A 1/4 in. bit is also supplied with the bracket assembly to install the spanner screws.



Crestron Flex Tabletop UC Video Conference System for Zoom Rooms™ Software



Configure

Apply Power

Press the power button on the bottom of the UC-ENGINE-Z and apply power to all of the other devices in the system. The connected display device will show a pairing code.

Log In to the Zoom Rooms Service

Use the Crestron Mercury X device to sign in to the Zoom Rooms service using an activation code or a Zoom Room Sign-In.

1. Tap **Zoom** and then tap **OK**. The device will reboot.
2. Enter the pairing code shown on the display to pair the Crestron Mercury X device with the UC-ENGINE-Z. The Zoom Rooms controller app is displayed.

3. Log in to the Zoom Rooms service with an activation code or Zoom Rooms Credentials (email and password).
 - **Activation Code:**
 - a. Tap **Enter Activation Code**.
 - b. Enter the 16-digit activation code provided by the administrator to activate the Zoom Room that is assigned to the activation code. The Zoom Rooms Conference Room screen is shown on the display.
 - **Sign In:**
 - a. Tap **Sign In**.
 - b. Enter the Zoom Room credentials and tap **Sign In**.
 - c. Select the conference room name from the list and tap **Next**. The Zoom Rooms Conference Room screen is shown on the display.
4. Tap **Settings**. If a password is required, enter the password (default is **0000**). The **Settings** screen is displayed.
5. Tap **Microphone** and select the **Crestron Mercury** device as the source.
6. Tap **Speaker** and select the **Crestron Mercury** device as the source.
7. Tap **Meet Now** to exit.

Configure the System

Connect a USB keyboard and mouse (not included) to a USB port on the UC-ENGINE-Z to configure system features. Refer to the [Crestron Flex UC Video Conference Systems Supplemental Guide](#) (Doc. 8360).

Crestron Flex Tabletop UC Video Conference System for Zoom Rooms™ Software



Visit the Product Page

Scan the QR code to visit the product page.

UC-MX150-Z



www.crestron.com/model/6511072

Additional Information

Original Instructions

The U.S. English version of this document is the original instructions. All other languages are a translation of the original instructions.

Crestron product development software is licensed to Crestron dealers and Crestron Service Providers (CSPs) under a limited nonexclusive, nontransferable Software Development Tools License Agreement. Crestron product operating system software is licensed to Crestron dealers, CSPs, and end-users under a separate End-User License Agreement. Both of these Agreements can be found on the Crestron website at www.crestron.com/legal/software_license_agreement.

The product warranty can be found at www.crestron.com/warranty.

The specific patents that cover Crestron products are listed at www.crestron.com/legal/patents.

Certain Crestron products contain open source software. For specific information, visit www.crestron.com/opensource.

Crestron, the Crestron logo, Crestron Mercury, and DigitalMedia are either trademarks or registered trademarks of Crestron Electronics, Inc. in the United States and/or other countries. HDMI and the HDMI logo are either trademarks or registered trademarks of HDMI Licensing LLC in the United States and/or other countries. Huddly IQ is either a trademark or registered trademark of Huddly AS in the United States and/or other countries. Zoom Rooms is either a trademark or registered trademark of Zoom Video Communications, Inc. in the United States and/or other countries. Other trademarks, registered trademarks, and trade names may be used in this document to refer to either the entities claiming the marks and names or their products. Crestron disclaims any proprietary interest in the marks and names of others. Crestron is not responsible for errors in typography or photography.

HDMI

©2020 Crestron Electronics, Inc.

Doc ID 8632A

05/20/20