

Wi-Fi® Network I/O Extenders

The Crestron® [CEN-IO-COM-202](#), [CEN-IO-DIGIN-204](#), [CEN-IO-IR-204](#), and [CEN-IO-RY-204](#) are wireless I/O extenders designed to expand the available control ports within a commercial or residential system. The extenders communicate to the local network over Wi-Fi® wireless communications for remote control and monitoring.

NOTE: The CEN-IO-COM-202, CEN-IO-DIGIN-204, CEN-IO-IR-204, and CEN-IO-RY-204 are functionally similar. For simplicity within this guide, the term "extender" is used to refer to all models except where otherwise noted.



In the Box

- 1 CEN-IO-COM-202, CEN-IO-DIGIN-204, CEN-IO-IR-204, or CEN-IO-RY-204, Wi-Fi Network Extender

Additional Items

- 1 Bracket, Mounting, Integrated DIN Rail Clip (4510935)
- 1 Connector, 2-Pin (2003574)
- 1 Power Pack, PW-0512WUL (2045867)
- 2 Screw, 6-32, 3/8 in., Phillips (2007225)

CEN-IO-COM-202 Only

- 2 Connector, 5-Pin (2003577)

CEN-IO-DIGIN-204 Only

- 1 Connector, 5-Pin (2003577)

CEN-IO-IR-204 and CEN-IO-RY-204 Only

- 1 Connector, 8-Pin (2003850)



Mount the Device

The extender can be mounted onto a flat surface or a standard DIN rail using the included mounting bracket.

CAUTION: To prevent overheating, do not operate the extender in an area that exceeds the environmental temperature range (41 to 104 °F or 5 to 40 °C) for this device.

Optional rack mount and pole mount kits (not included) are also available for use with the extender. For more information, refer to the RMK-IFE-1U Installation Guide (Doc. 7627) and the PLMK-IFE-101 Installation Guide (Doc. 7615) at www.crestron.com/manuals.

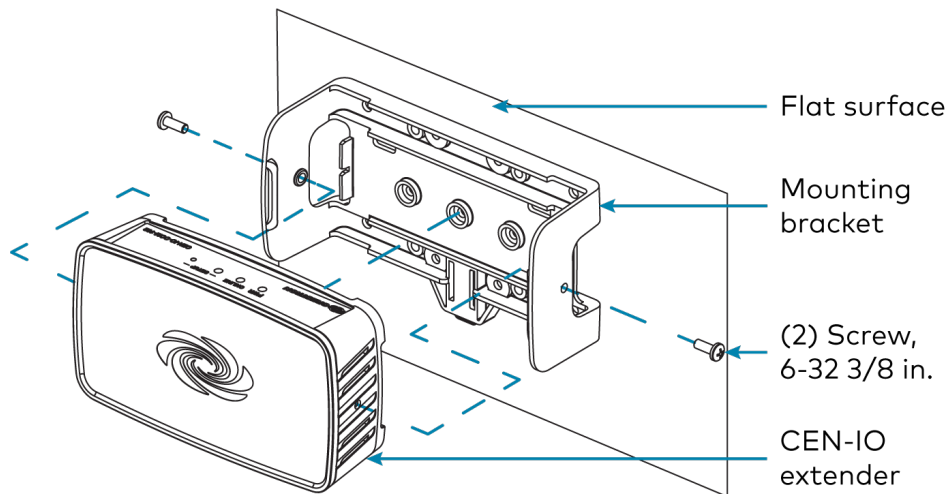
Determine a Mounting Location

Mount the extender in a location that will provide optimum performance. For more information, refer to the Best Practices for Installation and Setup of Crestron RF Products Reference Guide (Doc. 6689) at www.crestron.com/manuals.

Wi-Fi® Network I/O Extenders

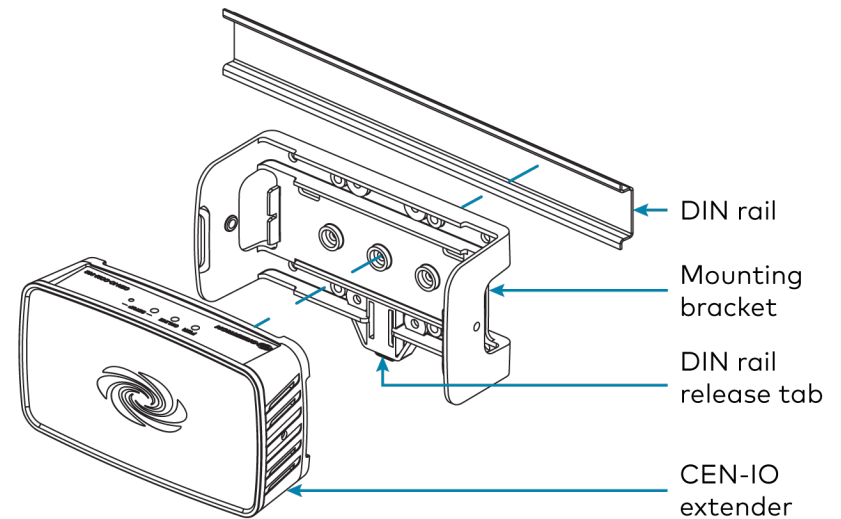
Surface Mounting

1. Attach the mounting bracket to the surface using four appropriate mounting screws (not included) through the four mounting holes on the bottom of the bracket.
2. Align the slots on the bottom of the extender with the tabs on the mounting bracket.
3. Press the extender into the bracket until it snaps into place.
4. (Optional) Secure the extender to the bracket using the two included 6-32 3/8 in. screws as shown in the following illustration.



DIN Rail Mounting

1. Pull the DIN rail release tab downward using a flat-head screwdriver.
2. Position the DIN rail mounting tabs (located on the rear of the bracket) over the top edge of the DIN rail.
3. Push the DIN rail release tab upward to lock the mounting bracket onto the rail.
4. Align the slots on the bottom of the extender with the tabs on the mounting bracket.
5. Press the extender into the bracket until it snaps into place.



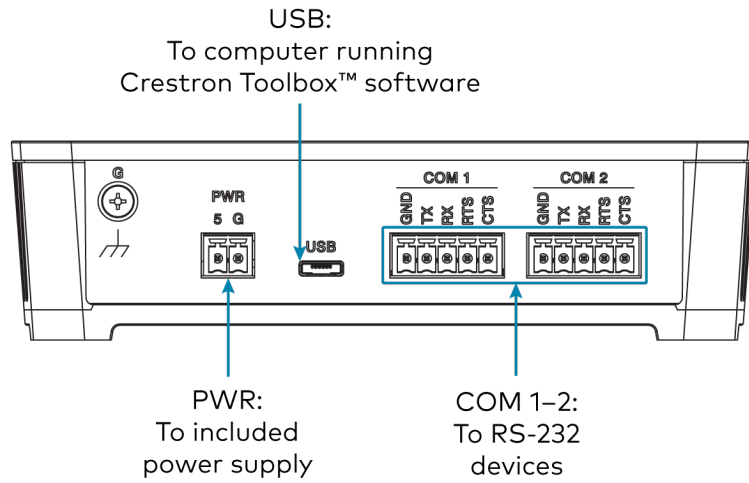
NOTE: Do not use the included screws to secure the bracket to the bottom of the extender when mounting into a DIN rail, as it will then not be possible to remove the extender from the DIN rail.

Wi-Fi® Network I/O Extenders

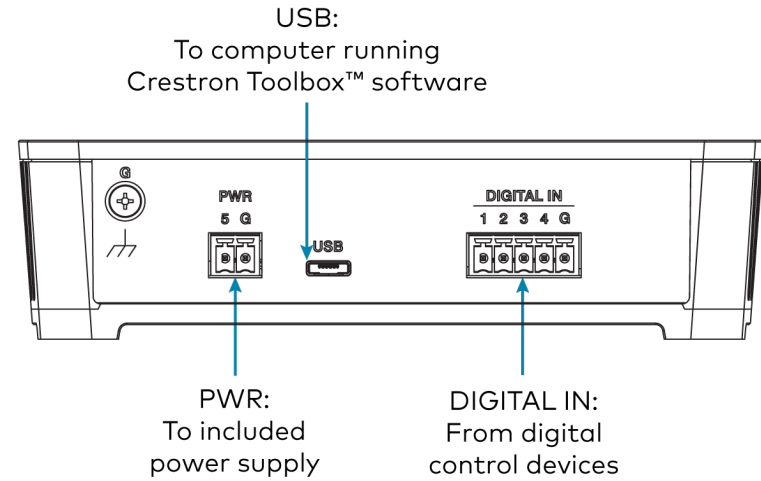
Connect the Device

Make all device connections as shown in the following illustrations.

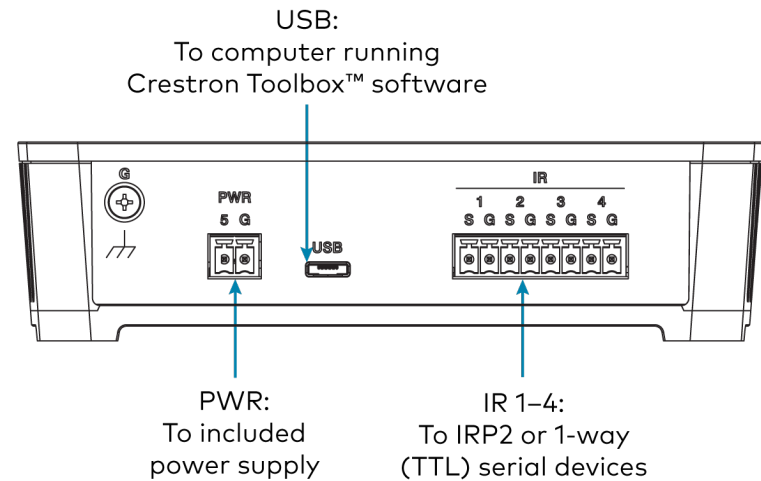
CEN-IO-COM-202 Rear Panel Connections



CEN-IO-DIGIN-204 Rear Panel Connections

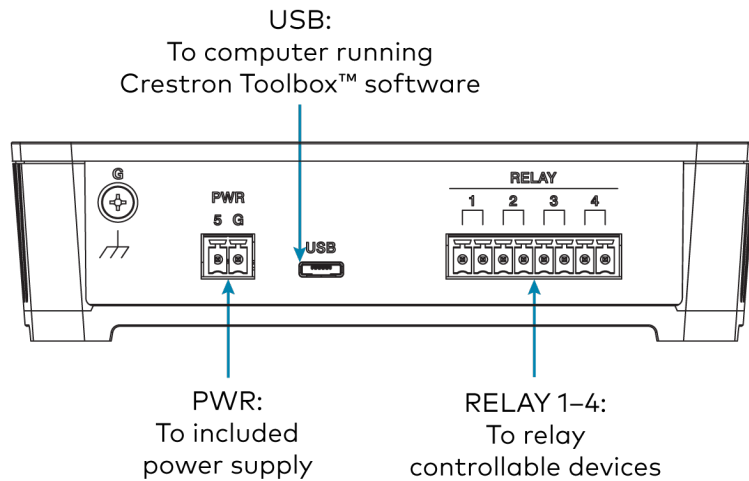


CEN-IO-IR-204 Rear Panel Connections



Wi-Fi® Network I/O Extenders

CEN-IO-RY-204 Rear Panel Connections

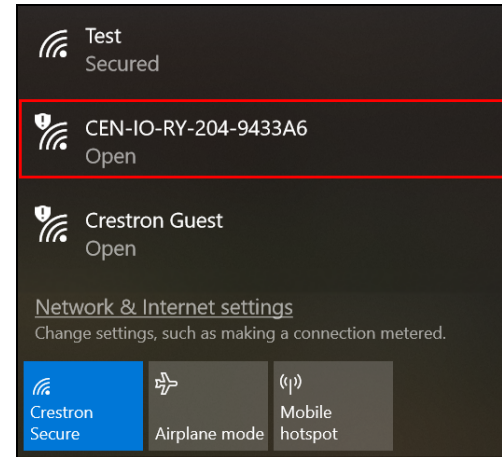


Connect to a Wi-Fi Network

The extender advertises itself as an open wireless access point when it is in access point mode or wireless configuration mode. The extender is in access point mode out of the box.

To connect to a Wi-Fi network:

1. Ensure the extender is powered on and ready for operation.
2. Use the Wi-Fi scan function on a computer to discover the extender access point. The access point name is the device SSID.



NOTE: The device SSID is the extender's model name plus the last three octets of its MAC address, and it is printed on the product label located on the bottom of the extender. The SSID can be modified using Crestron Toolbox™ software.



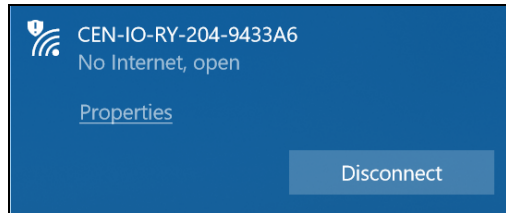
Observe the LED Indicators

The following LED indicators appear on the extender front panel:

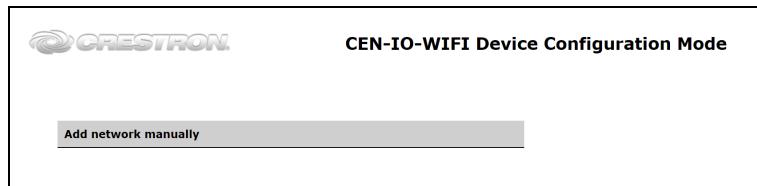
LED Indicator	Color	Meaning
ONLINE	Green	The extender is connected to a Crestron control system via Wi-Fi communications.
PWR (dual color)	Amber	Power is being supplied but the extender is not yet ready for operation.
	Green	The extender is ready for operation.
SETUP (with recessed push button)	Red	The extender has rebooted into Wi-Fi configuration mode after clearing its memorized access points (after pressing the SETUP button five times).

Wi-Fi® Network I/O Extenders

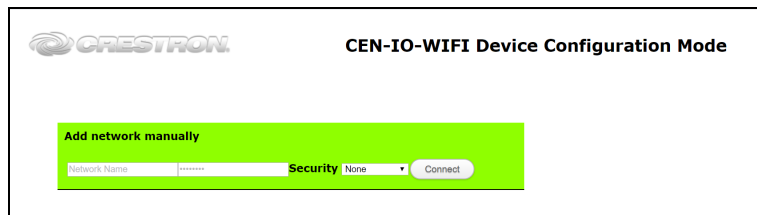
- Click the access point to establish a connection to the extender. The access point status is shown as "No internet, open" upon a successful connection.



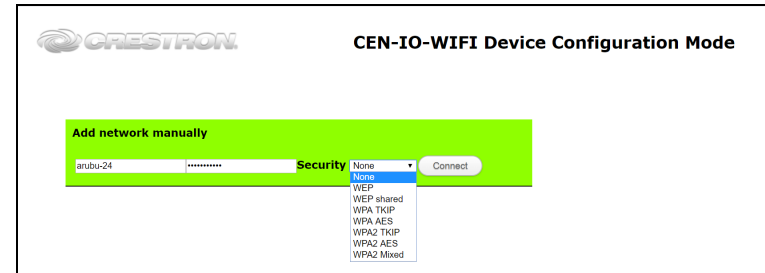
- Open a web browser and enter the IP address 192.168.0.1 into the browser URL field. The **CEN-IO-WIFI Device Configuration Mode** page is displayed.



- Click **Add network manually**. Fields for entering the wireless access point (WAP) credentials are displayed.



- Enter the following information for the WAP:
 - Enter the WAP name in the **Network Name** field.
 - Enter the WAP password in the password field.
 - Select the WAP security protocol from the **Security** drop-down menu.



- Click **Connect**. A "Device Started" message is displayed as shown in the following image.



- Use the Device Discovery tool in Crestron Toolbox software to scan for the extender. The device hostname will match the device SSID as described in step 1.

Wi-Fi® Network I/O Extenders



Configure the Device

The extender can be configured and provisioned to a control system using Crestron Toolbox software once it has been activated as described in [Connect to a Wi-Fi Network](#).

For more information on device configuration and control system provisioning, refer to the appropriate sections in the Crestron Toolbox help file.

NOTE: To perform a factory reset, press and hold the **SETUP** button for 10 seconds. All device settings will be restored to their factory defaults.



Visit the Product Pages

Scan the QR code to visit the product pages.

CEN-IO-COM-202:



www.crestron.com/model/6507961

CEN-IO-DIGIN-204:



www.crestron.com/model/6507971

CEN-IO-IR-204:



www.crestron.com/model/6507962

CEN-IO-RY-204:



www.crestron.com/model/6507972

Wi-Fi® Network I/O Extenders

Additional Information

Original Instructions

The U.S. English version of this document is the original instructions. All other languages are a translation of the original instructions.

Crestron product development software is licensed to Crestron dealers and Crestron Service Providers (CSPs) under a limited nonexclusive, nontransferable Software Development Tools License Agreement. Crestron product operating system software is licensed to Crestron dealers, CSPs, and end-users under a separate End-User License Agreement. Both of these Agreements can be found on the Crestron website at www.crestron.com/legal/software_license_agreement.

The product warranty can be found at www.crestron.com/warranty.

The specific patents that cover Crestron products are listed at www.crestron.com/legal/patents.

Certain Crestron products contain open source software. For specific information, visit www.crestron.com/opensource.

Crestron, the Crestron logo, and Crestron Toolbox are either trademarks or registered trademarks of Crestron Electronics, Inc. in the United States and/or other countries. Wi-Fi is either a trademark or registered trademark of Wi-Fi Alliance in the United States and/or other countries. Other trademarks, registered trademarks, and trade names may be used in this document to refer to either the entities claiming the marks and names or their products. Crestron disclaims any proprietary interest in the marks and names of others. Crestron is not responsible for errors in typography or photography.

©2020 Crestron Electronics, Inc.

Doc ID 7875B
(2047939)

02/24/20