

Crestron DTT-15V2

15" DualTouch™ Technology Touchpanel

The DTT-15V2 is a 15" touchpanel designed for use with the UPX-2 Universal Presentation System to support all of the control capabilities of a Crestron touchpanel, plus pen-based annotation and computer-based multimedia presentation.

DualTouch™ Technology—This Crestron exclusive combines fingertip operated touchpanel control with a precision drawing tablet to produce an amazingly flexible presentation solution. Crestron DualTouch Technology touchpanels employ a brilliant combination of analog resistive touch sensing for fingertip-operated touchpanel control and Wacom® Penabled™ technology for precise drawing and annotation.

DualTouch Technology allows the presenter to touch the screen with a fingertip to control AV and lighting functions, and then on-the-fly annotate freely over video and graphic presentation sources using the wireless pen provided. Switching between modes is automatic and instantaneous, disabling the analog membrane whenever the pen is sensed allowing the palm of the hand to be rested naturally on the screen while drawing.

Versatile Installation Options—The DTT-15V2 ships complete with tilt stand, annotation pen, pen tether, and power supply. The adjustable stand allows the touchpanel to be tilted between 15 and 72 degrees for optimal comfort while annotating. An integral security slot enables securing the touchpanel using a Kensington® compatible security cable (not included). Additional installation options are possible using any third-party VESA mounting compliant solution.

- > *The Ultimate Presenter's Interface*
- > *15" LCD Color Touchscreen Display | 1024 x 768 XGA Resolution*
- > *Provides the Perfect Front End for Crestron's UPX-2 Universal Presentation System Processor*
- > *DualTouch Technology - Delivers a seamless combination of Touchpanel Control and Pen-Based Annotation*
- > *Ergonomic Design - Allows more natural drawing capability than ordinary touchpanels*
- > *Includes Tilt Stand, Wireless Annotation Pen, and Power Supply*

SPECIFICATIONS

Touchscreen Display

Display Type: TFT Active matrix color LCD
LCD Screen Size: 15 inch (38.1 cm) diagonal
LCD Active Area: 11.9 in x 8.9 in
Resolution: 1024 x 768 pixels (XGA)
Color Depth: 16,777,216 (24 bit)
Contrast Ratio: 250:1
Brightness: 200 nits (cd/m2)
Viewing Angle: ±80° horizontal, ±80° vertical
Touchscreen: Resistive membrane

Pen

Pen Pressure: 512 levels
Accuracy: ±1 pixel
Reading Height: 0.2 in (0.5 cm) maximum
Report Rate: 93 points per second
Buttons: Right mouse click



Connectors

- ANALOG RGB IN:** (1) DB15HD female
RGB (VGA) video input
Connects to RGB Output A of UPX-2 using 6.5 ft (2.0 m) DB15HD VGA cable (included)
- ANALOG RGB OUT:** (1) DB15HD female
RGB (VGA) video loop-thru
Passes RGB input through to an additional display device
- USB:** (1) USB B female
USB 2.0 port
Connects to any USB port on UPX-2 using 6.5 ft (2.0 m) USB cable (included)
- DC IN:** (1) DC power jack (power supply included)

Controls

- MENU, -, +, ENTER:** (4) Pushbuttons to navigate onscreen setup menu
POWER: (1) Pushbutton turns unit on/off

LED Indicators

- STATUS:** (Blue) Indicates sensing of annotation pen
POWER: (Dual-color) Blue indicates power is on with a valid RGB input signal connected; turns amber when RGB signal is disconnected

Power Requirements

24 watts (2.0 Amps @ 12 Volts DC) – 100-240 Volts AC, 50-60 Hz power supply included

Environmental

- Temperature:** 41° to 95°F (5° to 35°C)
Humidity: 20% to 80% RH (non-condensing)

Enclosure

- Construction:** High impact black injection-molded case with adjustable tabletop tilt stand; VESA mounting compliant
Screen Tilt: Adjustable 15 to 72 degrees using stand provided
Display Rotation: None

Dimensions

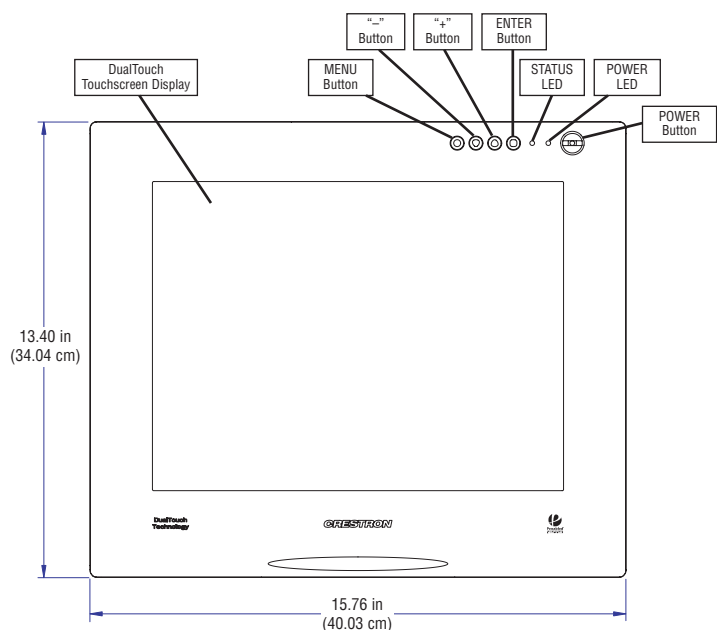
- (with stand)
Height: 12.90 in (32.77 cm) maximum
Width: 15.75 in (40.00 cm)
Depth: 12.59 in (31.98 cm) maximum

Weight

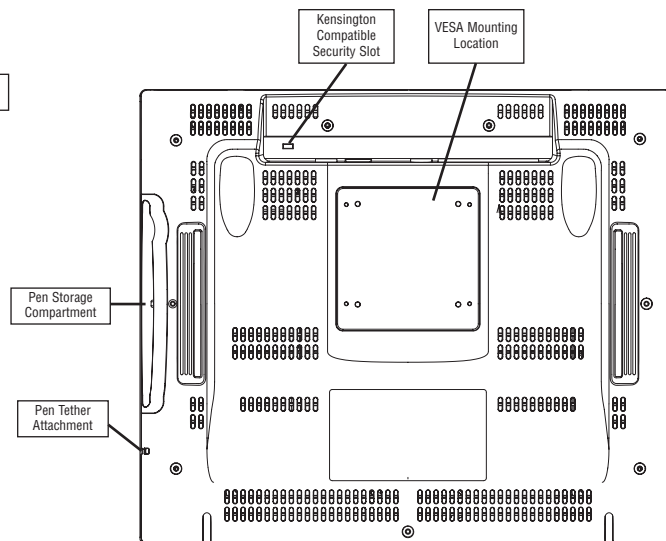
10.8 lbs (4.9 kg) – with stand



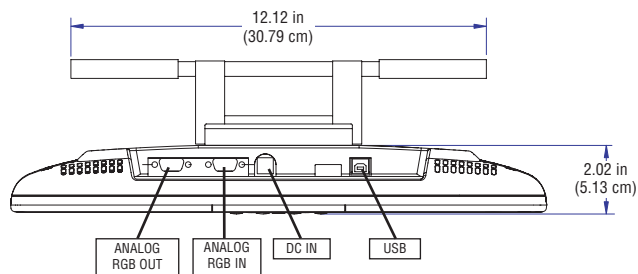
Crestron DTT-15V2 15" DualTouch™ Technology Touchpanel



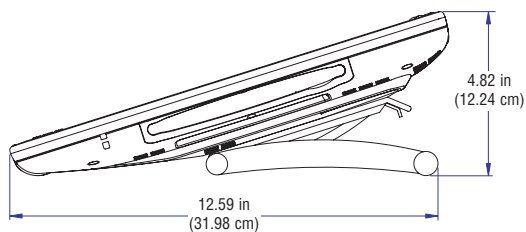
Front View



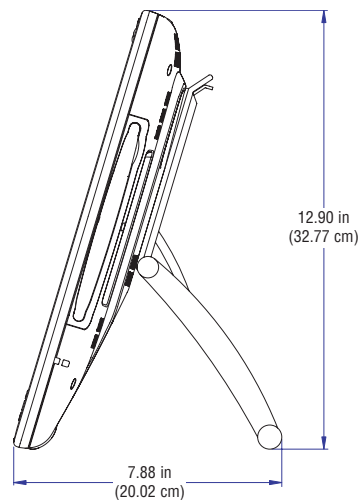
Rear View – Shown without stand



Top View



Right Side View – Shown with 72 degrees tilt (maximum)



Right Side View – Shown with 15 degrees tilt (minimum)