

TSW-770-LB

Room Availability Light Bar for TSW-770 Series



- Provides a 180° visual indication of a meeting room's availability for TSW-770 or TSS-770 series touch screens
- Features a stylish appearance designed to complement corporate office environments
- Illuminates vivid green or red to clearly indicate room status
- Supports RGB color mixing to allow for almost any color illumination
- Energy efficient at less than 2 W power consumption
- Mounts easily to the rear of the touch screen
- Single-wire USB connectivity
- Compatible with various in-wall, multisurface, and mullion mounting accessories
- Available in smooth black or white finish

The Crestron® TSW-770-LB is a room availability light bar designed for use with [TSW-770](#) or [TSS-770](#) series touch screens. The TSW-770-LB provides a 180° visual indication of a room's availability as part of a complete enterprise room scheduling solution. The TSW-770-LB mounts easily to the rear of the touch screen and illuminates bright green or red to indicate the room availability status, with options for custom color mixing and programming. The TSW-770-LB features a clean, stylish appearance and vivid color illumination that complement any corporate office environment, and it is energy efficient at less than 2 W power consumption.

Room Availability Status

For room scheduling applications, the TSW-770-LB simply connects to the touch screen via USB and requires no special programming or configuration.¹ The illumination color is controlled by the room scheduling application, which runs on the touch screen and syncs with the [Crestron Fusion®](#) software or another room scheduling application. The TSW-770-LB illuminates green when the room is available and red when the room is occupied. It can also blink to indicate an emergency message broadcast from Crestron Fusion.

Custom RGB Color Mixing

For custom applications, the TSW-770-LB can be configured to illuminate in almost any desired color. The TSW-770-LB features tricolor RGB LEDs that allow for a full spectrum of colors by blending the red, green, and blue elements in 1% increments. Custom RGB color mixing is performed either through the touch screen directly or via custom control system programming. A Crestron control system connected to the touch screen can be programmed to support various functionality, enabling colors to alternate, fade in and out, or blink on and off as desired.²

Versatile Mounting Options

The TSW-770-LB is compatible with various TSW-770 series mounting solutions to support installations common for room scheduling touch screens, including the [TSW-770-UMB](#) universal mounting bracket, the [TSW-770-MSMK](#) multisurface mount kit, and the [TSW-770/1070-MUMK](#) mullion mount kit.

TSW-770-LB

Room Availability Light Bar for TSW-770 Series

Specifications

Indicator

Illumination	RGB LED
Functionality	Supports alternating red/green indication of room availability status for room scheduling; Supports RGB color mixing via touch screen configuration or custom control system programming ²

Communications

USB	USB 2.0 device for connection to a TSW-770 or TSS-770 series touch screen
------------	---

Connectors

USB	(1) Attached lead with USB Type A connector, male; USB 2.0 device port ¹ ; Connects to a USB host port on the touch screen
Flex Circuit Slot	Attaches the light bar panel to the control module

Power

USB Power	2.5 W
Power Consumption	1.1 W typical

Environmental

Temperature	41 to 104 °F (5 to 45 °C)
Humidity	10% to 90% RH (noncondensing)
Heat Dissipation	5 BTU/hr

Construction

Composition	Two-piece assembly composed of a control module and light-diffusing plastic light bar panel
Mounting	Control module attaches to the rear of the touch screen using screws, light bar panel sandwiches between the touch screen and mounting surface, 1-5/8 in. (41 mm) minimum mounting depth, compatible with all TSW-770/TSS-770 series supported electrical boxes, multisurface mount kits, and mullion mount kits

Dimensions

Height	4.17 in. (106 mm)
Width	7.03 in. (179 mm)
Depth	2.26 in. (57 mm)

Dimensions shown are for the complete touch screen and light bar assembly; projects 0.77 in. (20 mm) from the mounting surface

Compliance

Regulatory Model: M201929001;
CE, IC, FCC Part 15 Class B digital device

Models

TSW-770-LB-B-S
Room Availability Light Bar for TSW-770 Series, Black Smooth

TSW-770-LB-W-S
Room Availability Light Bar for TSW-770 Series, White Smooth

Notes:

1. The USB interface is exclusively for connection to a Crestron TSW-770 or TSS-770 series touch screen.
2. RGB color mixing via a control system is only supported when connected to a TSW-770 series touch screen. TSS-770 series touch screens do not support connection to a control system.

This product may be purchased from select authorized Crestron dealers and distributors. To find a dealer or distributor, please contact the Crestron sales representative for your area. A list of sales representatives is available online at www.crestron.com/How-To-Buy/Find-a-Representative or by calling 855-263-8754.

This product is covered under the Crestron standard limited warranty. Refer to www.crestron.com/warranty for full details.

The specific patents that cover Crestron products are listed online at patents.crestron.com.

Certain Crestron products contain open source software. For specific information, please visit www.crestron.com/opensource.

Crestron, the Crestron logo, and Crestron Fusion are either trademarks or registered trademarks of Crestron Electronics, Inc. in the United States and/or other countries. Other trademarks, registered trademarks, and trade names may be used in this document to refer to either the entities claiming the marks and names or their products. Crestron disclaims any proprietary interest in the marks and names of others. Crestron is not responsible for errors in typography or photography.

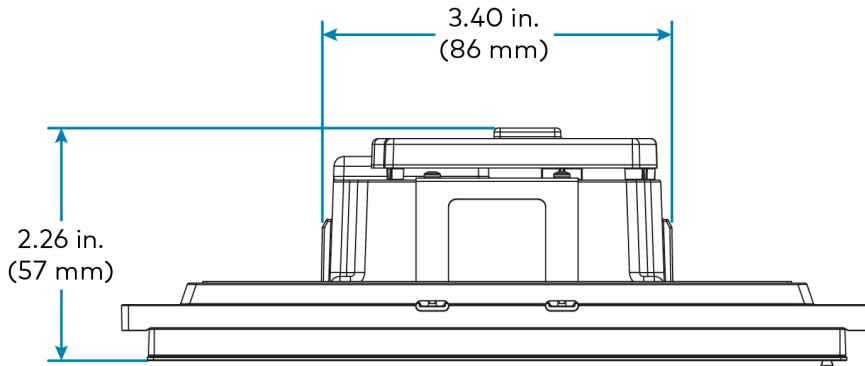
Specifications are subject to change without notice.

©2020 Crestron Electronics, Inc.

Rev 08/26/20

TSW-770-LB

Room Availability Light Bar for TSW-770 Series



TSW-770-LB with
TSW-770

