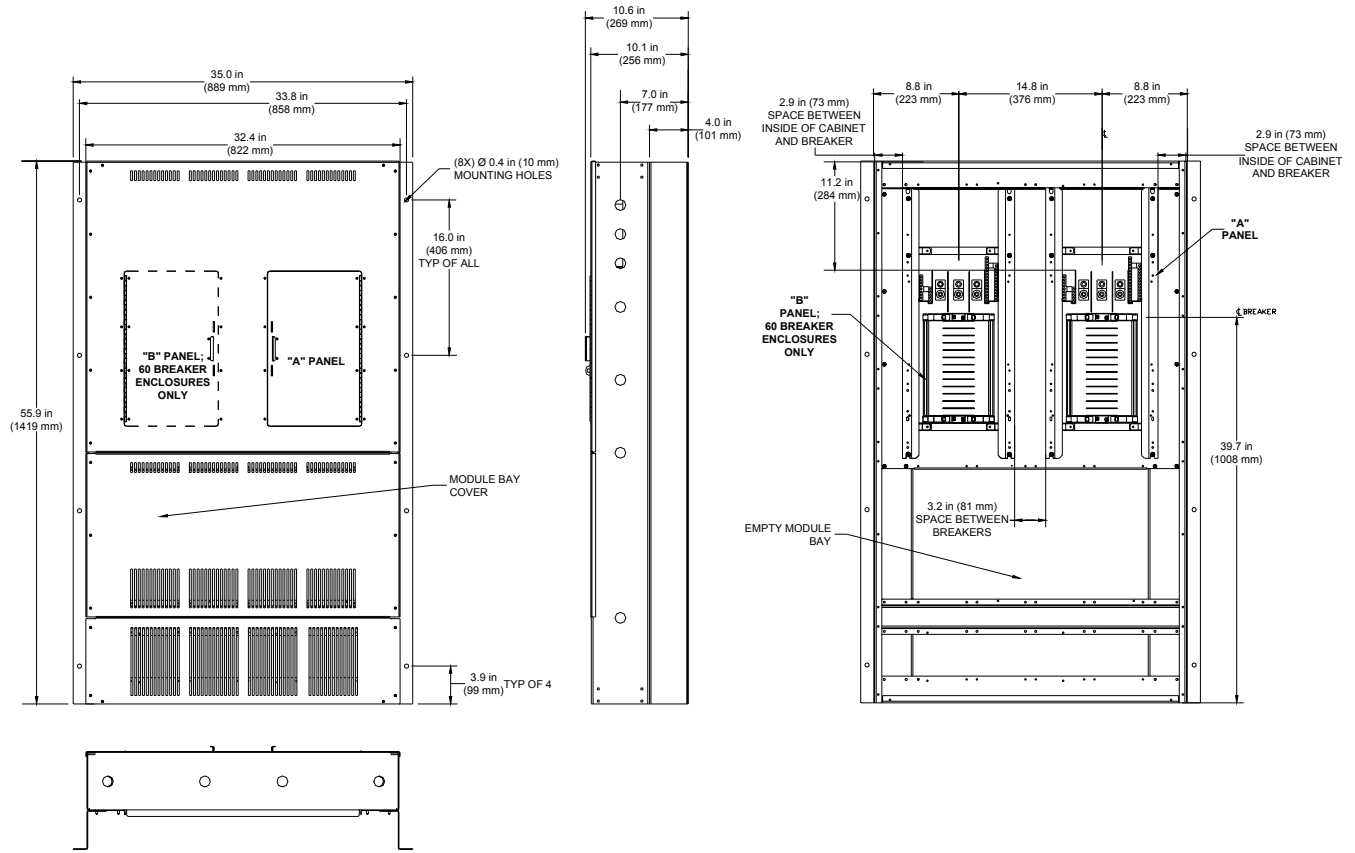




## CSTC-1-120-30/60 Overall Dimensions (Front, Side, Bottom, and Internal Views)

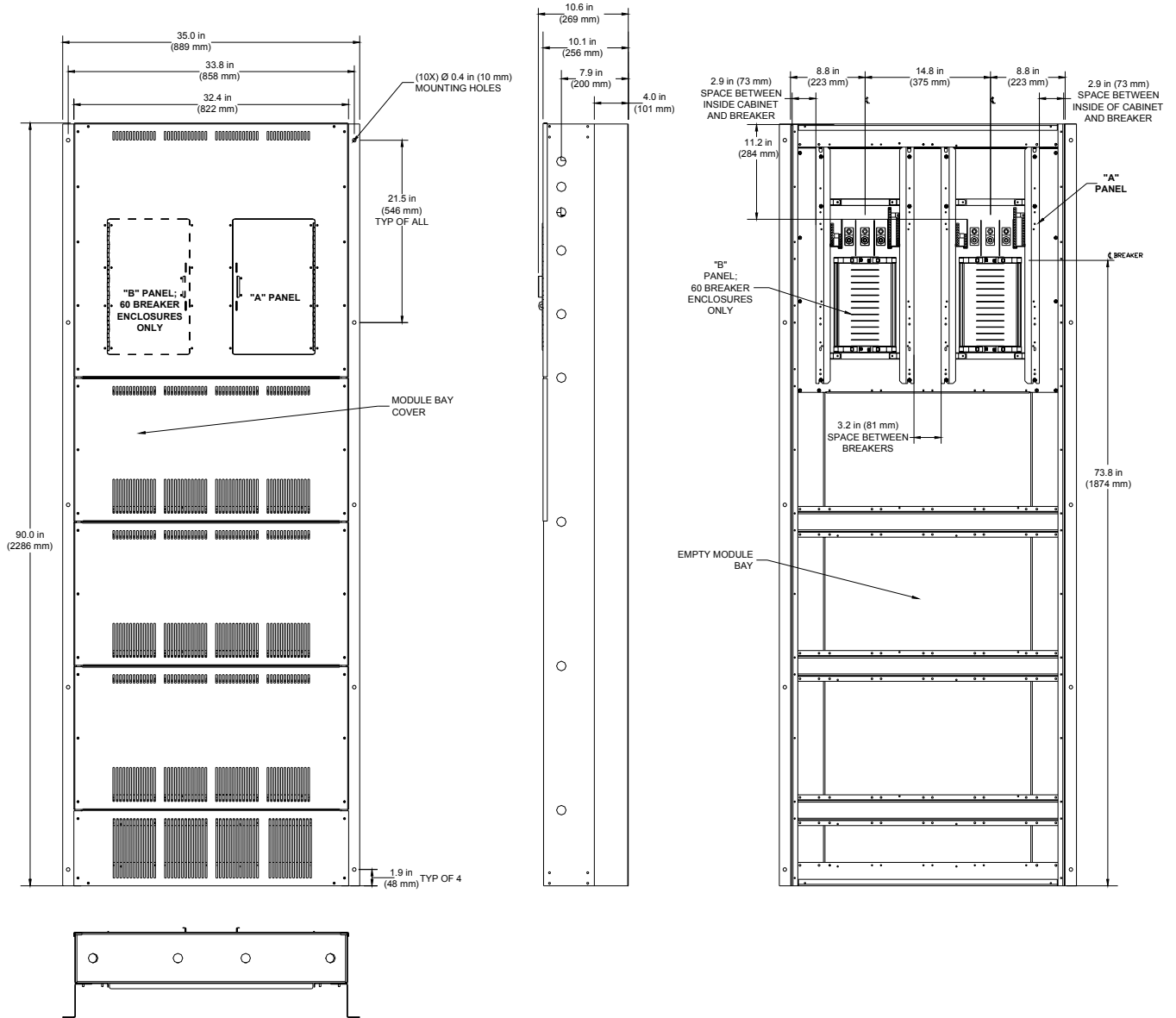








## CSTC-3-120-30/60 Overall Dimensions (Front, Side, Bottom, and Internal Views), Lower Module Bays Uncovered



## Industry Compliance

This product is Listed to applicable UL Standards and requirements by Underwriters Laboratories Inc.



## Installation

The enclosure is designed for surface mounting on a wall.

**CAUTION:** These enclosures house equipment that needs to be air-cooled. Therefore, mount in a well-ventilated area. The ambient temperature range should be 32°F to 104°F (0°C to 40°C). The relative humidity should range from 10% to 90% (non-condensing). Furthermore, allow adequate clearance in front of the vented cover for servicing and ventilation.

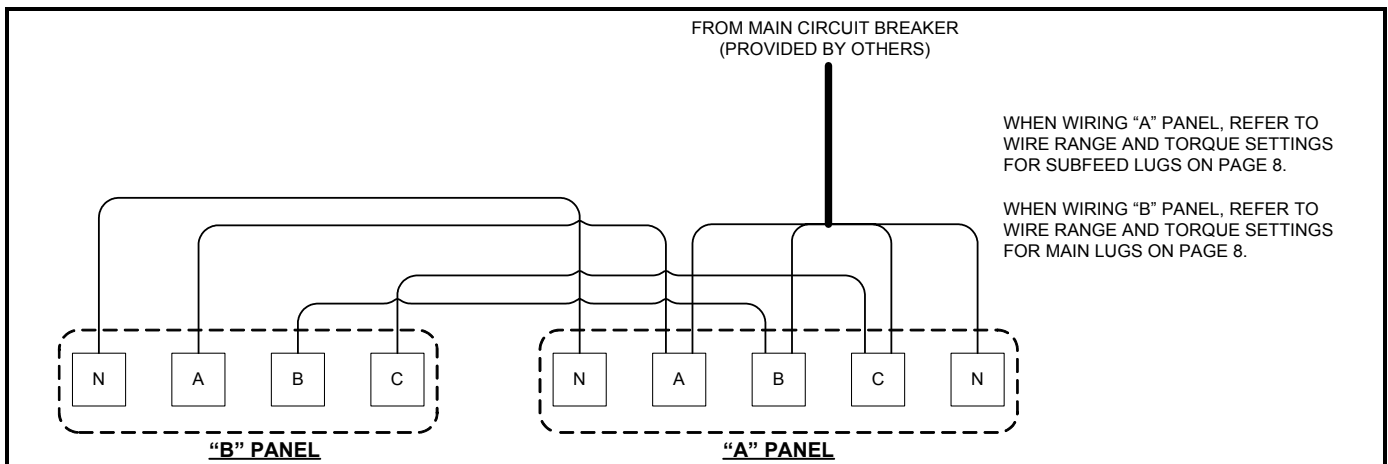
**NOTE:** The enclosure must be mounted by a licensed electrician in accordance with all national and local codes. Pay special attention to code requirements for maximum circuit breaker height when mounting CSTC enclosure on a wall. Refer to diagrams on pages 1 through 6 for specific dimensions.

**NOTE:** Enclosures are intended for indoor use only.

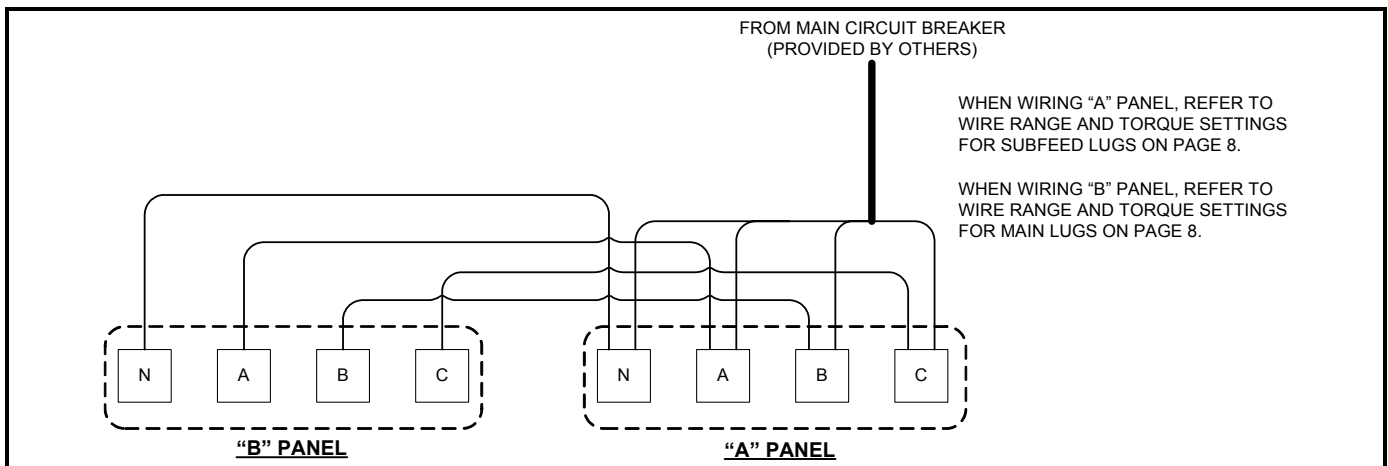
## Wiring

CSTC enclosures are shipped with lighting modules installed. Incoming feed conductors must be connected to the main lugs. Lighting modules must be connected to loads. “B” panels (60 breaker enclosures only) must be wired to the “A” panel as shown in the following diagrams.

*“A” Panel to “B” Panel Wiring, 277 Volt Enclosures*



*“A” Panel to “B” Panel Wiring, 120 Volt Enclosures*



**NOTE:** Wiring for main lugs must use copper or aluminum conductors only – rated 75°C. Refer to individual module installation guides for appropriate load wiring.

**NOTE:** All wiring must be installed in accordance with all local and national electrical codes.

Tighten all terminal block screws to the torque specified in the module’s installation guide. Use the following table to determine appropriate wire gauge and tightening values.

**CAUTION:** Failure to properly tighten lugs may result in poor electrical connection and overheating of the terminals.

*Wire Gauge and Torque Values*

TERMINAL	120 Volt Models		277 Volt Models	
	CONNECTOR MAX WIRE RANGE	TORQUE	CONNECTOR MAX WIRE RANGE	TORQUE
Main Lugs & Neutral Main Lugs	10-2/0 (CU) or 6-2/0 (AL)	15 lb-ft	6-350 kcmil (CU or AL) 1/0-750 kcmil (CU or AL)	275 – 300 lb-in
	6 - 300 kcmil (CU or AL)	21 lb-ft		
Subfeed Lugs (60 circuit only)	(2) 4-1/0 (CU or AL)	15 lb-ft	(1) 1/0-750 kcmil (CU or AL) (2) 1/0-350 kcmil (CU or AL)	275 – 300 lb-in
	(2) 4 - 300 kcmil (CU or AL)	28 lb-ft		
Neutral Bars	14-10 (CU) or 12-10 (AL)	20 lb-in	14-6 (CU or AL)	24 – 35 lb-in
	8 (CU or AL)	25 lb-in	14-2/0 (CU or AL)	40 – 50 lb-in
	6-4 (CU or AL)	35 lb-in		

**NOTE:** 208Y/120 panels have a maximum current of 225A. 480Y/277 panels have a maximum current of 250A.

## Further Inquiries

If you cannot locate specific information or have questions after reviewing this guide, please take advantage of Crestron's award winning customer service team by calling the Crestron corporate headquarters at 1-888-CRESTRON [1-888-273-7876]. For assistance in your local time zone, refer to the Crestron website (<http://www.crestron.com/offices>) for a listing of Crestron worldwide offices.

You can also log onto the online help section of the Crestron website (<http://www.crestron.com/onlinehelp>) to ask questions about Crestron products. First-time users will need to establish a user account to fully benefit from all available features.



---

## Return and Warranty Policies

### Merchandise Returns / Repair Service

1. No merchandise may be returned for credit, exchange, or service without prior authorization from CRESTRON. To obtain warranty service for CRESTRON products, contact an authorized CRESTRON dealer. Only authorized CRESTRON dealers may contact the factory and request an RMA (Return Merchandise Authorization) number. Enclose a note specifying the nature of the problem, name and phone number of contact person, RMA number, and return address.
2. Products may be returned for credit, exchange, or service with a CRESTRON Return Merchandise Authorization (RMA) number. Authorized returns must be shipped freight prepaid to CRESTRON, 6 Volvo Drive, Rockleigh, N.J. or its authorized subsidiaries, with RMA number clearly marked on the outside of all cartons. Shipments arriving freight collect or without an RMA number shall be subject to refusal. CRESTRON reserves the right in its sole and absolute discretion to charge a 15% restocking fee, plus shipping costs, on any products returned with an RMA.
3. Return freight charges following repair of items under warranty shall be paid by CRESTRON, shipping by standard ground carrier. In the event repairs are found to be non-warranty, return freight costs shall be paid by the purchaser.

### CRESTRON Limited Warranty

CRESTRON ELECTRONICS, Inc. warrants its products to be free from manufacturing defects in materials and workmanship under normal use for a period of three (3) years from the date of purchase from CRESTRON, with the following exceptions: disk drives and any other moving or rotating mechanical parts, pan/tilt heads and power supplies are covered for a period of one (1) year; touchscreen display and overlay components are covered for 90 days; batteries and incandescent lamps are not covered.

This warranty extends to products purchased directly from CRESTRON or an authorized CRESTRON dealer. Purchasers should inquire of the dealer regarding the nature and extent of the dealer's warranty, if any.

CRESTRON shall not be liable to honor the terms of this warranty if the product has been used in any application other than that for which it was intended, or if it has been subjected to misuse, accidental damage, modification, or improper installation procedures. Furthermore, this warranty does not cover any product that has had the serial number altered, defaced, or removed.

This warranty shall be the sole and exclusive remedy to the original purchaser. In no event shall CRESTRON be liable for incidental or consequential damages of any kind (property or economic damages inclusive) arising from the sale or use of this equipment. CRESTRON is not liable for any claim made by a third party or made by the purchaser for a third party.

CRESTRON shall, at its option, repair or replace any product found defective, without charge for parts or labor. Repaired or replaced equipment and parts supplied under this warranty shall be covered only by the unexpired portion of the warranty.

Except as expressly set forth in this warranty, CRESTRON makes no other warranties, expressed or implied, nor authorizes any other party to offer any warranty, including any implied warranties of merchantability or fitness for a particular purpose. Any implied warranties that may be imposed by law are limited to the terms of this limited warranty. This warranty statement supersedes all previous warranties.

#### Trademark Information

*All brand names, product names and trademarks are the sole property of their respective owners. Windows is a registered trademark of Microsoft Corporation. Windows95/98/Me/XP/Vista and WindowsNT/2000 are trademarks of Microsoft Corporation.*

This page is intentionally left blank.