

## FT2A-CBLR-BRKT-1200/FT2A-CBLR-BRKT-1400

### Front/Rear Bracket for Two Cable Retractors for FT2-1200 and FT2-1400 Series

The Crestron® FT2A-CBLR-BRKT-1200 and FT2A-CBLR-BRKT-1400 brackets mount below the surface to the front or rear face of the FT2-1200 series and FT2-1400 series of FlipTop™ Cable Management Systems, respectively. Each bracket provides slots to accommodate up to two cable retractors and one power supply holder. The bracket enables cable retractors to occupy the center module positions inside the FlipTop.

#### Check the Box

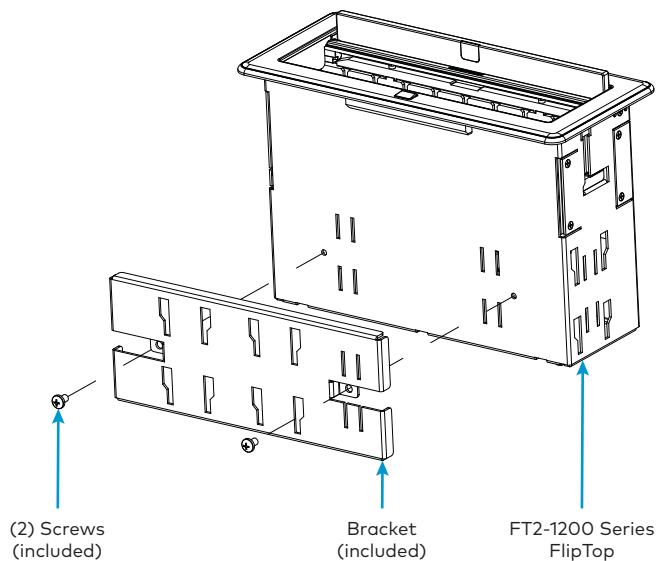
Item	Qty
<b>FT2A-CBLR-BRKT-1200 or FT2A-CBLR-BRKT-1400</b> (P/N 6510689 or 6510688) Bracket, 9" x 3.6"	1
Screw, 10-32 x 5/16", SEMS, Pan Head, Phillips (P/N 2007287)	2

#### Install the Bracket

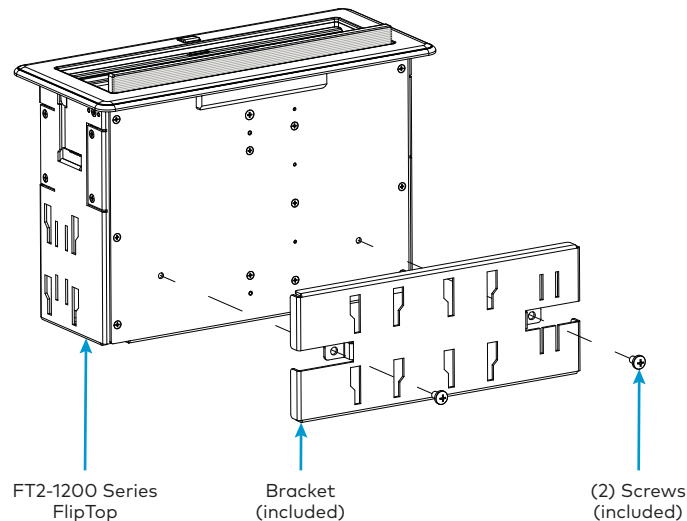
**NOTE:** Up to two brackets (front and rear) can be installed on the larger FT2-1400 series FlipTop. A single bracket can be installed to either the front or rear of the FT2-1200 series FlipTop.

Determine whether to install the bracket to the front or rear face of the FlipTop. Using a #2 Phillips screwdriver, position the bracket against the FlipTop and secure with two screws (provided). Use the following drawings for visual reference.

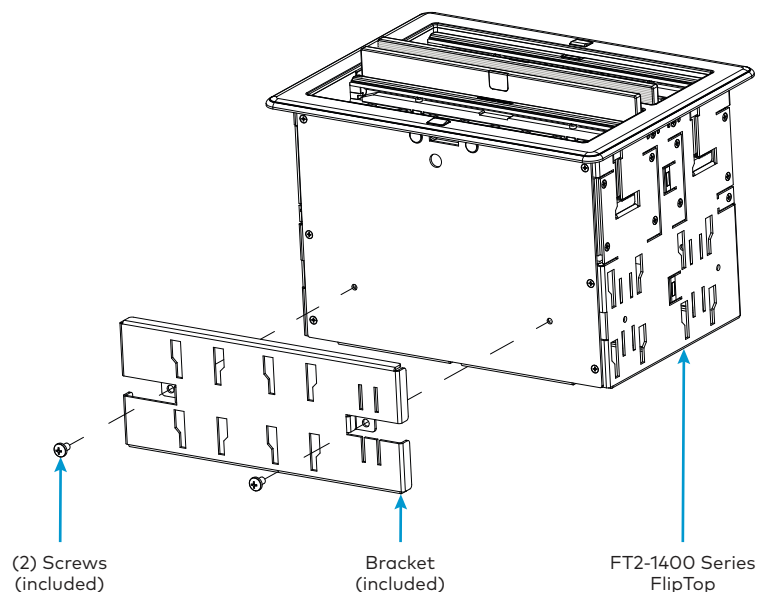
##### Front Bracket Installation - FT2-1200 Series FlipTop



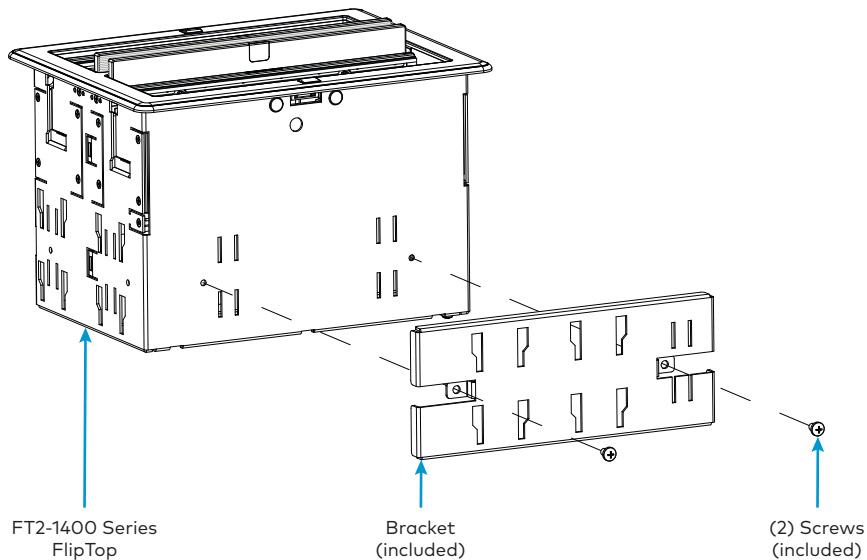
##### Rear Bracket Installation - FT2-1200 Series FlipTop



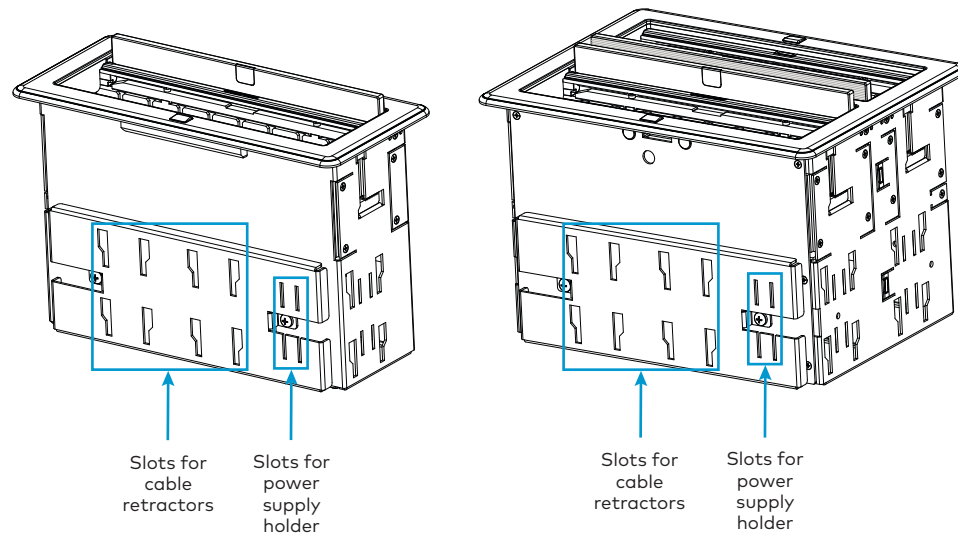
##### Front Bracket Installation - FT2-1400 Series FlipTop



## Rear Bracket Installation - FT2-1400 Series FlipTop



## Installed FT2A-CBLR-BRKT-1200 (left) and FT2A-CBLR-BRKT-1400 (right)



## Attach Cable Retractor and Power Supply Holder

Each installed bracket provides two sets of four slots for up to two cable retractors and one set of four slots for a power supply holder. Use the following drawings for visual reference.

## Additional Information

Scan or click the QR code for detailed product information on the Crestron website.



FT2A-CBLR-BRKT-1200



FT2A-CBLR-BRKT-1400

## Compliance and Legal

The product warranty can be found at [www.crestron.com/warranty](http://www.crestron.com/warranty).

The specific patents that cover Crestron products are listed at [www.crestron.com/legal/patents](http://www.crestron.com/legal/patents).

Certain Crestron products contain open source software. For specific information, please visit [www.crestron.com/opensource](http://www.crestron.com/opensource).

Crestron, the Crestron logo, and FlipTop are either trademarks or registered trademarks of Crestron Electronics, Inc. in the United States and/or other countries. Other trademarks, registered trademarks, and trade names may be used

in this document to refer to either the entities claiming the marks and names or their products. Crestron disclaims any proprietary interest in the marks and names of others. Crestron is not responsible for errors in typography or photography.

©2018 Crestron Electronics, Inc.

**Crestron Electronics, Inc.**  
15 Volvo Drive, Rockleigh, NJ 07647  
Tel: 888.CRESTRON  
Fax: 201.767.7576  
[www.crestron.com](http://www.crestron.com)

**Quick Start - Doc. 8383A  
(2052678)**

**11.18**  
Specifications subject to  
change without notice.