

4K60 4:4:4 HDR Presentation System

The Crestron® [HD-PS622](#) and [HD-PS621](#) AV presentation systems support 4K60 4:4:4 with enhanced HDMI® video switching and audio presentation capabilities. The HD-PS622 includes six HDMI inputs, two DM Lite® inputs, and two HDMI outputs with mirrored DM Lite outputs. The HD-PS621 includes six HDMI inputs, two DM Lite inputs, and one HDMI output with mirrored DM Lite output.



Install the Device

The device occupies 1 RU of rack space in a 19-inch equipment rack.

WARNING: To prevent bodily injury when mounting or servicing the unit in a rack:

- When mounting the unit into a partially filled rack, load the rack from the bottom to the top with the heaviest component at the bottom of the rack.
- If the rack is provided with stabilizing devices, install the stabilizers before mounting or servicing the unit in the rack.



In the Box

- 1 HD-PS622 or HD-PS621 AV Presentation System

Additional Items

- 1 Power Cord, 6 ft 7 in. (2 m) (2001134)
- 2 Bracket, Rack Mount, 1 RU (2032122)
- 8 Connector, 3-Pin (2003575)
- 2 Connector, 5-Pin (2003577)
- 6 Screw, 4-40 x 5/16 in., Pan Head, Phillips, Black (2007164)

4K60 4:4:4 HDR Presentation System

Rack Mounting Safety Precautions

Elevated Operating Ambient Temperature: If installed in a closed or multi-unit rack assembly, the operating ambient temperature of the rack environment may be greater than the room ambient temperature. Therefore, consideration should be given to installing the equipment in an environment compatible with the maximum ambient temperature (T_{ma}) specified by the manufacturer.

Reduced Airflow: Installation of the equipment in a rack should be such that the amount of airflow required for safe operation of the equipment is not compromised.

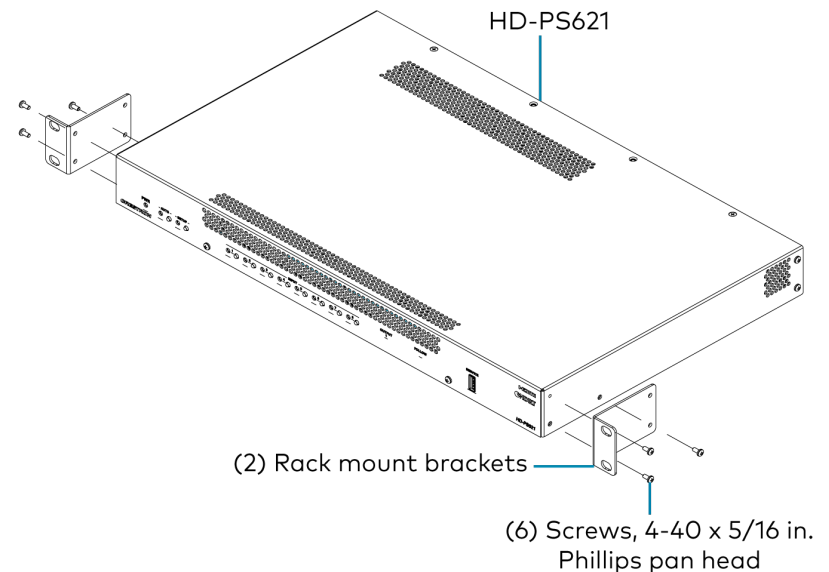
Mechanical Loading: Mounting of the equipment in the rack should be such that a hazardous condition is not achieved due to uneven mechanical loading.

Circuit Overloading: Consideration should be given to the connection of the equipment to the supply circuit and the effect that overloading of the circuits might have on overcurrent protection and supply wiring. Appropriate consideration of equipment nameplate ratings should be used when addressing this concern.

Reliable Earthing: Reliable earthing of rack-mounted equipment should be maintained. Particular attention should be given to supply connections other than direct connections to the branch circuit (e.g., use of power strips).

To mount the device into a rack:

1. Attach the two included rack mount brackets to the device using the six included 4-40 x 5/16 in. Phillips pan head screws (three screws for each side of the device).
2. Mount the device into a rack using four rack mount screws (two screws per bracket, not included).



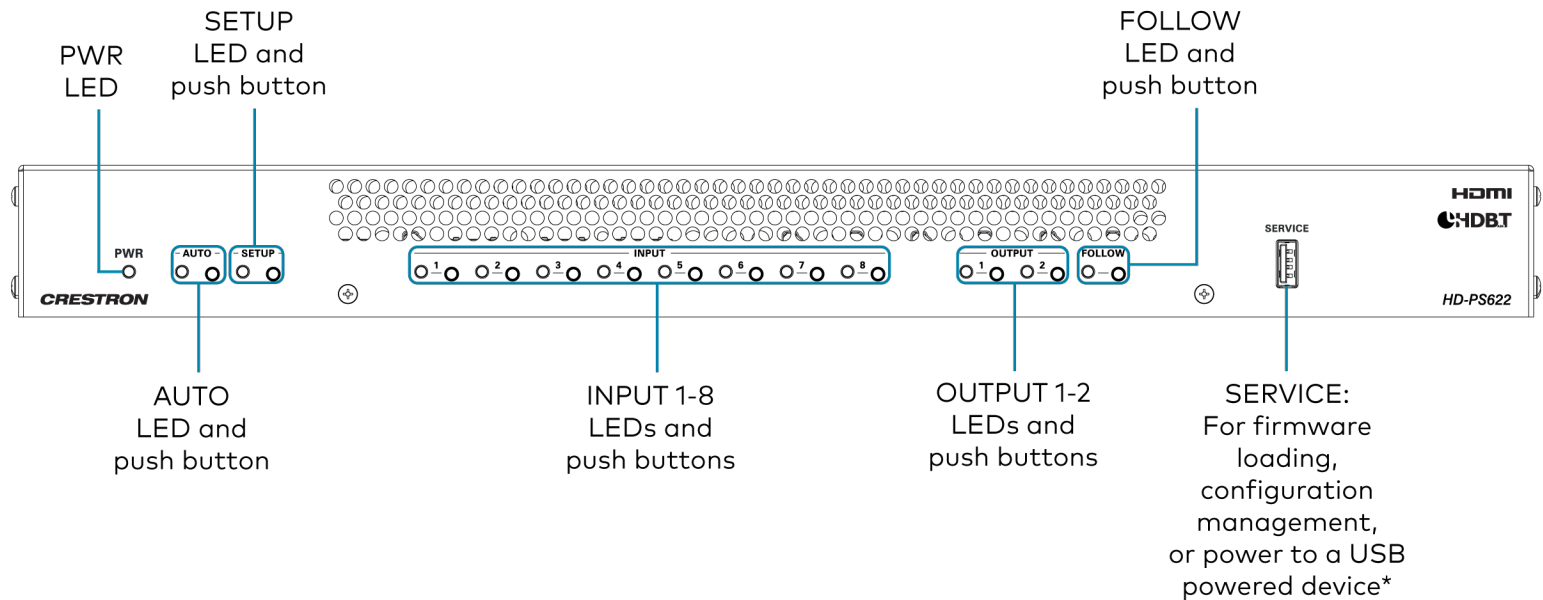
4K60 4:4:4 HDR Presentation System



Connect the Device

Connect the front and rear panels of the device as required for the application.

Front Panel Connection (HD-PS622 Shown)

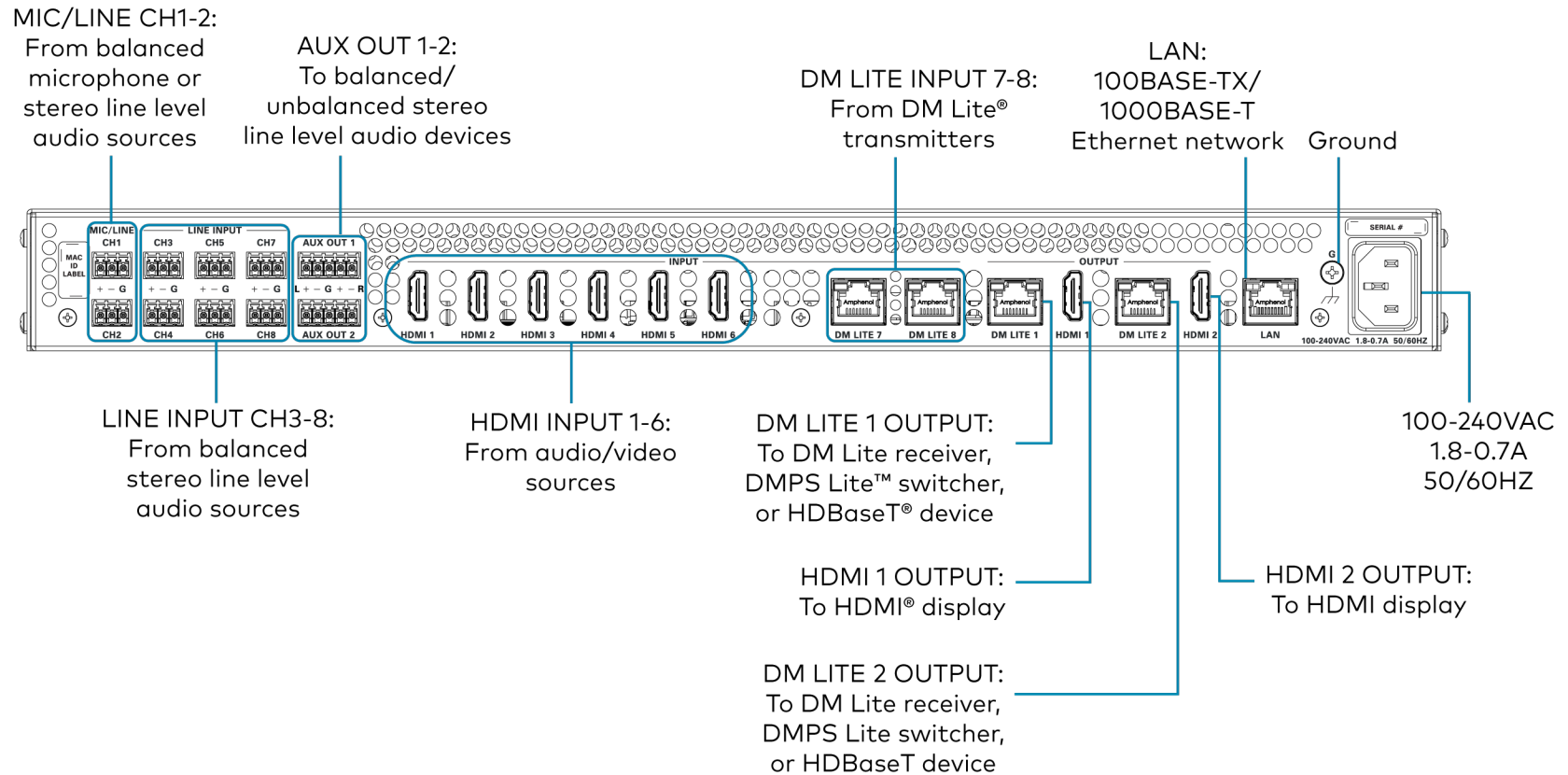


*The SERVICE port can provide up to 5V 500mA power to a USB powered device.

The SERVICE port is disabled by default. For all functionality with the exception of providing power to a USB powered device, the SERVICE port must be enabled in order to be operational.

4K60 4:4:4 HDR Presentation System

Rear Panel Connections (HD-PS622 Shown)



4K60 4:4:4 HDR Presentation System

NOTES:

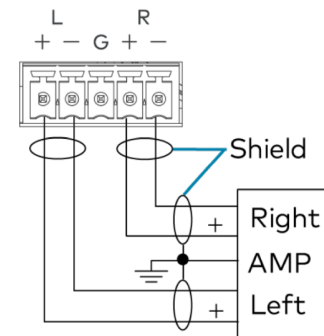
- Each pair of mirrored DM Lite and HDMI outputs displays the same image on two display devices.
- Supported DM Lite transmitters are the [HD-TX-101-C-E](#), [HD-TXC-101-C-E](#), [HD-TX-101-C-1G-E](#), [HD-TXC-101-C-1G-E](#), [HD-TX-201-C-2G-E](#), [HD-TX-301-C-E](#), and [HDI-TX-301-C-2G-E](#).
- Supported DM Lite receivers are the [HD-RX-101-C-E](#), [HD-RXC-101-C-E](#), [HD-RX-101-C-1G-E](#), and [HD-RXC-101-C-1G-E](#). Support of the [HD-RX-201-C-E](#) DM Lite receiver and the DMPS Lite switchers ([HD-RX-4K-210-C-E](#), [HD-RX-4K-210-C-E-POE](#), [HD-RX-4K-410-C-E](#), [HD-RX-4K-410-C-E-SW4](#), [HD-RX-4K-510-C-E](#), and [HD-RX-4K-510-C-E-SW4](#)) is provided for the extension of audio and video signals only. The HD-PS622 or HD-PS621 web interface does not support configuration of connected [HD-RX-201-C-E](#) receivers or DMPS Lite switchers. Those devices require a separate LAN connection and must be configured using the web interface of each device.
- The AC mains power connection powers both the HD-PS622 or HD-PS621 and connected DM Lite transmitters and receivers. When connected to the HD-PS622 or HD-PS621, the DM Lite transmitters and receivers must not be connected to power.

Balanced/Unbalanced Audio Output

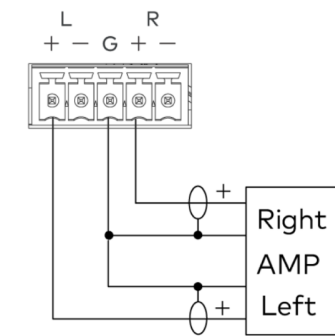
Refer to the following table and illustration for analog audio AUX output pin assignments and connection information.

Signal Name	Balanced Audio Output	Unbalanced Audio Output
+	L+	L+ Out
-	L-	Open
G	Shield/ground	Common ground
+	R+	R+ Out
-	R-	Open

Balanced Output



Unbalanced Output



4K60 4:4:4 HDR Presentation System



Upgrade the Firmware

Before using the device, upgrade the firmware. The latest firmware can be downloaded from the [HD-PS622](#) or [HD-PS621](#) product page on the Crestron website (www.crestron.com).



Configure the Device

Configure the device using the web interface. To access the web interface, open a web browser and then go to the IP address of the device.

NOTE: By default, the IP address of an HD-PS622 or HD-PS621 device is assigned by a DHCP server on the network. If a DHCP server does not exist on the network, the IP address defaults to a link-local address in the 169.254.xxx.xxx range. To display the IP address on the connected display, press the **SETUP** button on the front panel of the device.

If no account has been created, create an account by entering a user name and password. After an account is created, log in to the web interface by entering the user name and password.



Connect to the Cloud

The [XiO Cloud® service](#) allows supported devices across an enterprise to be managed and configured from one central and secure location in the cloud. Supported Crestron® devices are configured to connect to the service out of the box.

Use of the service requires a registered XiO Cloud account. To register for an XiO Cloud account, refer to www.crestron.com/Support/Tools/Licensing-Registration/XiO-Cloud-Registration-Room-Licenses.

To connect the device to the XiO Cloud service:

1. Record the MAC address and serial number that are labeled on the shipping box or the device. The MAC address and serial number are required to add the device to the XiO Cloud service.

NOTE: If the device has multiple MAC addresses, use the MAC address that is providing the primary connection back to the network. For most devices, the Ethernet MAC address should be used. However, if your device is connecting to the network over a different protocol (such as Wi-Fi® communications), use the MAC address for that protocol instead.

2. Log in to your XiO Cloud account at portal.crestron.io.
3. Claim the device to the XiO Cloud service as described in the [XiO Cloud User Guide](#).

Select the device from the cloud interface to view its status and settings. The device may now also be managed and assigned to a group or room. For more information, refer to the [XiO Cloud User Guide](#).

NOTE: For XiO Cloud accounts with room-based licenses, the device must be added to a licensed room before its status and settings can be viewed.

4K60 4:4:4 HDR Presentation System



Observe the LED Indicators

Refer to the following table for information about the LED indicators on the device.

LED Indicator	Color	Meaning
PWR	Amber	Power is being applied to the device. The device is booting.
	Green	Power is being applied to the device. The device is operational.
AUTO	Green	Automatic switching is enabled.
SETUP	Red	The SETUP button is pressed.
INPUT 1-8	Green	The corresponding input is routed to an output.
	Amber	A source is detected at the corresponding input but is not routed to an output.
OUTPUT 1-2 (HD-PS622 Only)	Green	The corresponding output is transmitting video.
	Amber	The corresponding output is detected but no video is routed.
FOLLOW (HD-PS622 Only)	Green	Follow Output mode is enabled, which causes the selected HDMI or DM Lite input to be routed to HDMI and DM Lite outputs 1 and 2 simultaneously.
Ethernet	Green	A 100BASE-TX link is established.
	Amber	A 1000BASE-T link is established.
	Flashing amber	Data activity is occurring on the Ethernet link.
DM Lite OUTPUT 1 or 1-2	Green	A DM Lite link is established.
	Flashing amber	Non-HDCP video is detected.
	Solid amber	HDCP video is detected.



Visit the Product Page

Scan the QR code to visit the product page.

HD-PS622



www.crestron.com/model/6511418

HD-PS621



www.crestron.com/model/6511417

4K60 4:4:4 HDR Presentation System

Additional Information

Original Instructions

The U.S. English version of this document is the original instructions. All other languages are a translation of the original instructions.

Regulatory Model: M202004002

Crestron product development software is licensed to Crestron dealers and Crestron Service Providers (CSPs) under a limited nonexclusive, nontransferable Software Development Tools License Agreement. Crestron product operating system software is licensed to Crestron dealers, CSPs, and end-users under a separate End-User License Agreement. Both of these Agreements can be found on the Crestron website at www.crestron.com/legal/software_license_agreement.

The product warranty can be found at www.crestron.com/warranty.

The specific patents that cover Crestron products are listed at www.crestron.com/legal/patents.

Certain Crestron products contain open source software. For specific information, visit www.crestron.com/opensource.

Crestron, the Crestron logo, DM Lite, DMPS Lite, and XiO Cloud are either trademarks or registered trademarks of Crestron Electronics, Inc. in the United States and/or other countries. HDBaseT and the HDBaseT Alliance logo are either trademarks or registered trademarks of the HDBaseT Alliance in the United States and/or other countries. HDMI and the HDMI logo are either trademarks or registered trademarks of HDMI Licensing LLC in the United States and/or other countries. Wi-Fi is either a trademark or a registered trademark of Wi-Fi Alliance in the United States and/or other countries. Other trademarks, registered trademarks, and trade names may be used in this document to refer to either the entities claiming the marks and names or their products. Crestron disclaims any proprietary interest in the marks and names of others. Crestron is not responsible for errors in typography or photography.

HDMI

©2021 Crestron Electronics, Inc.

Doc. 8993A

10/27/21