

CCS-UCA-MIC

Table Microphone for CCS-UC-1 Installation & Operation Guide



Description

The CCS-UCA-MIC is an accessory microphone for use with the CCS-UC-1 Crestron Mercury™ Tabletop Conference System. When placed on a conference room table, these low-profile microphone pods provide enhanced pickup of every participant at the table. This accessory also extends the capability of muting the room from the far end of a table, as each pod contains the ability to mute the CCS-UC-1.

Additional Resources

Visit the product page on the Crestron website (www.crestron.com) for additional information and the latest firmware updates. Use a QR reader application on your mobile device to scan the QR image.



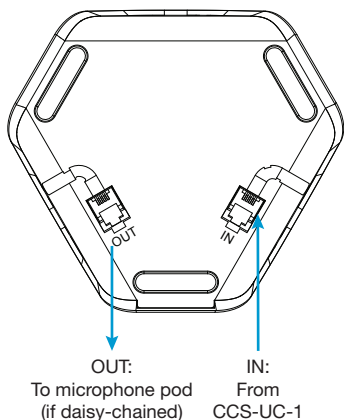
Installation

NOTE: When the CCS-UCA-MIC is used, the CCS-UC-1 must be powered with the AC power pack that is included with the CCS-UC-1 W/PS KIT and CCS-UC-1-AV W/PS KIT.

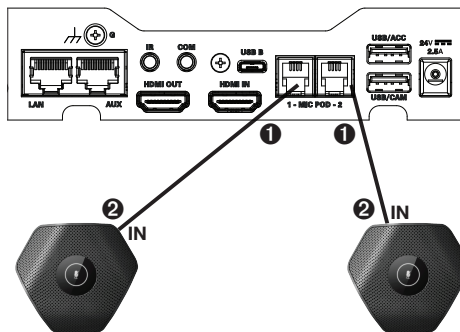
NOTE: The CCS-UC-1 supports the use of no more than two microphone pods. Additional microphone pods cannot be connected.

The microphone pods can be connected directly to the CCS-UC-1 or daisy chained together for longer conference tables.

NOTE: Use the two included 12-foot (3.7 m) cables to connect the microphone pods to the CCS-UC-1.

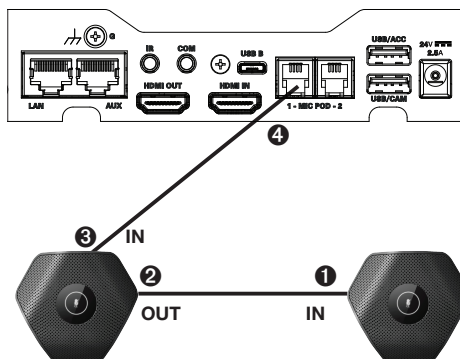


Direct Connection



1. Connect each of the included cables to the MIC POD ports on the rear of the CCS-UC-1.
2. Connect each cable to the IN port of a mic pod.

Daisy Chain Connection



1. Connect one of the included cables to the IN port on a microphone pod.
2. Connect the other end of the cable to the OUT port on the other microphone pod.
3. Connect the other included cable to the IN port on the same microphone pod.
4. Connect the cable to the MIC POD port on the rear of the CCS-UC-1.

Operation

The microphone pods work in conjunction with the CCS-UC-1 to mute and unmute the conference system's microphones.

During a call, the status of the microphone is displayed on the microphone pods. When the microphone is in use, the indicator lights green. When it is muted, the mute indicator lights red.

To mute all of the microphones in the system, tap the green icon. The icon turns red.

To unmute all of the microphones in the system, tap the red icon. The icon turns green.

As of the date of manufacture, the product has been tested and found to comply with specifications for CE marking.



This product is Listed to applicable UL® Standards and requirements tested by Underwriters Laboratories Inc.

Ce produit est homologué selon les normes et les exigences UL applicables par Underwriters Laboratories Inc.



Federal Communications Commission (FCC) Compliance Statement

This device complies with part 15 of the FCC Rules. Operation is subject to the following conditions: (1) This device may not cause harmful interference and (2) this device must accept any interference received, including interference that may cause undesired operation.

CAUTION: Changes or modifications not expressly approved by the manufacturer responsible for compliance could void the user's authority to operate the equipment.

NOTE: This equipment has been tested and found to comply with the limits for a Class B digital device, pursuant to part 15 of the FCC Rules. These limits are designed to provide reasonable protection against harmful interference in a residential installation. This equipment generates, uses and can radiate radio frequency energy and, if not installed and used in accordance with the instructions, may cause harmful interference to radio communications. However, there is no guarantee that interference will not occur in a particular installation. If this equipment does cause harmful interference to radio or television reception, which can be determined by turning the equipment off and on, the user is encouraged to try to correct the interference by one or more of the following measures:

- Reorient or relocate the receiving antenna.
- Increase the separation between the equipment and receiver.
- Connect the equipment into an outlet on a circuit different from that to which the receiver is connected.
- Consult the dealer or an experienced radio/TV technician for help.

Industry Canada (IC) Compliance Statement

CAN ICES-3 (B)/NMB-3(B)

Product warranty can be found at www.crestron.com/warranty.

The specific patents that cover Crestron products are listed at patents.crestron.com.

Certain Crestron products contain open source software. For specific information, please visit www.crestron.com/opensource.

Crestron, the Crestron logo, and Crestron Mercury are either trademarks or registered trademarks of Crestron Electronics, Inc. in the United States and/or other countries. HDMI is either a trademark or registered trademark of HDMI Licensing, LLC in the United States and/or other countries. UL and the UL logo are either trademarks or registered trademarks of Underwriters Laboratories, Inc. in the United States and/or other countries. Other trademarks, registered trademarks, and trade names may be used in this document to refer to either the entities claiming the marks and names or their products. Crestron disclaims any proprietary interest in the marks and names of others. Crestron is not responsible for errors in typography or photography.

This document was written by the Technical Publications department at Crestron.

©2017 Crestron Electronics, Inc.

Crestron Electronics, Inc. Installation & Operation Guide

15 Volvo Drive
Rockleigh, NJ 07647
Tel: 888.CRESTRON
Fax: 201.767.7576
www.crestron.com

DOC. 7972B
(2048243)
05.17

Specifications subject to
change without notice.