

# CLC-FANDELVEX-W

## infiNET EX® Wireless Light and Fan Controller

The Crestron® CLC-FANDELVEX-W is a wireless fan and light controller. The compact design allows the CLC-FANDELVEX-W to be securely placed inside most fan canopies.

### Check the Box

Item	Qty
CLC-FANDELVEX-W	1
Nut, Wire, Blue (P/N 2045230)	5

#### WARNINGS:

- To avoid fire, shock, or death, turn off the power at the circuit breaker or fuse and test that the power is off before wiring!
- To reduce the risk of electric shock, install the CLC-FANDELVEX-W with an isolating wall control or switch.

**CAUTION:** To reduce the risk of overheating and possible damage to other equipment, do not install to control a receptacle.

**NOTES:** Observe the following points:

- Install and use this product in accordance with appropriate electrical codes and regulations.
- A licensed electrician should install this product.
- Do not install in a damp or moist environment. This product is for indoor use only.
- Refer to the documentation for the fan for proper installation or disassembly and reassembly.

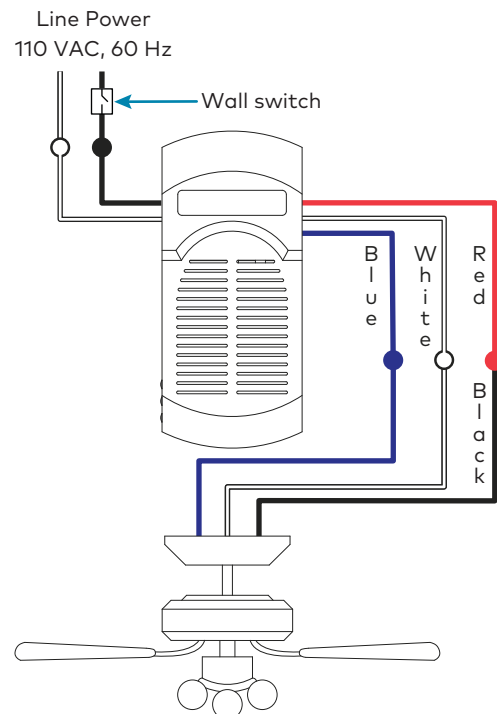
### Wiring the CLC-FANDELVEX-W

Connections to the CLC-FANDELVEX-W are made using flying leads.

- Connect the line power to the black (hot) and white (neutral) flying leads.
- Connect the fan (load) to the blue (light), red (fan), and white (neutral) flying leads.

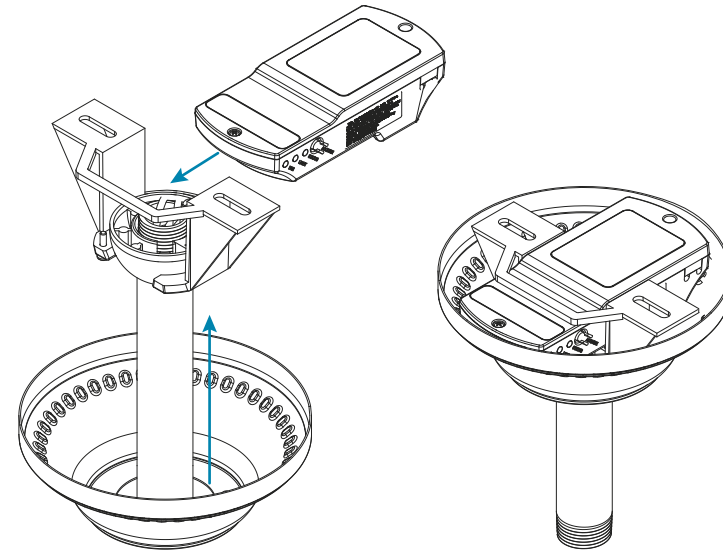
#### NOTES:

- Refer to the fan manufacturer's documentation to ensure that the fan is wired properly.
- Remove any pre-installed fan remote controller before installing the CLC-FANDELVEX.



### Install the CLC-FANDELVEX-W

- Insert the CLC-FANDELVEX-W into the fan mounting bracket.
- Assemble the fan canopy according to the manufacturer's instructions.
- Using the fan's hardware controls, turn the lights on and set the fan speed to high.



### Local Control

Use the **ACQUIRE** button on the CLC-FANDELVEX-W to join an infiNET EX network, test the connected lights, and acknowledge a TSID (Touch-Settable ID) command.

- Press the **ACQUIRE** button to toggle the lights on and off.
- Press the **ACQUIRE** button to acknowledge a TSID command.
- Connect to an infiNET EX wireless network. Refer to the "Wireless Communications" section for details.

### LED Indicators

**STATUS LED:**

- Lights green when the CLC-FANDELVEX-W is receiving power. The LED turns off after 1 minute.
- Lights and/or flashes green during the infiNET EX acquire process. Refer to the "Wireless Communications" section for details.
- Flashes red to indicate error conditions. Refer to the "Error States" section for details.

**LIGHT LED:**

- Lights when the CLC-FANDELVEX-W receives a command to turn on the lights. The LED turns off after 1 minute.

**FAN LED:**

- Lights when the CLC-FANDELVEX-W receives a command to turn on the fan. The LED extinguishes after 1 minute.

### Wireless Communications

The CLC-FANDELVEX-W communicates with the Crestron control system using the infiNET EX wireless network. Follow the procedures below to join or leave an infiNET EX wireless network and to verify communications between the CLC-FANDELVEX-W and the control system.

#### Join the infiNET EX Network

Before the CLC-FANDELVEX-W can communicate with a control system, it must first join an infiNET EX network.

#### NOTES:

- The CLC-FANDELVEX-W may be acquired by only one network.
- Ensure that the CLC-FANDELVEX-W is within range of the infiNET EX wireless network.
- In an environment where multiple gateways are installed, place only one gateway in Acquire mode at a time.

To join an infiNET EX network:

- Put the infiNET EX gateway into Acquire mode from the front of the device or using Crestron Toolbox™ software.
- Press the **ACQUIRE** button on the CLC-FANDELVEX-W three times, and then press and hold it down (press, press, press, press+hold) until the green STATUS LED on the CLC-FANDELVEX-W flashes once (this can take up to 10 seconds), then release the button. The LED flashes slowly to show that the CLC-FANDELVEX-W is attempting to join the infiNET EX wireless network.
  - When the green STATUS LED turns on for 5 seconds, it has joined the infiNET EX wireless network.
  - If the green STATUS LED flashes quickly, it did not join the infiNET EX wireless network. Press the **ACQUIRE** button to acknowledge, and then repeat step 2 to join the infiNET EX wireless network.
- Exit Acquire mode on the infiNET EX gateway.

#### Leaving an infiNET EX Network

- Verify that the CLC-FANDELVEX-W is not within range of an infiNET EX network that is in Acquire mode.
- Press the **ACQUIRE** button on the CLC-FANDELVEX-W three times, and then press and hold it down (press, press, press, press+hold) until the green STATUS LED on the CLC-FANDELVEX-W flashes once (this can take up to 10 seconds), then release the button. The LED flashes slowly.
- The LED flashes quickly to indicate that the CLC-FANDELVEX-W has left the infiNET EX wireless network. Press the **ACQUIRE** button to acknowledge that the CLC-FANDELVEX-W has left the infiNET **ACQUIRE** network and to stop the flashing LED.

#### Verifying Communications Status

To check the communications status of the CLC-FANDELVEX-W, press the **ACQUIRE** button three times and then press and hold it down (press, press, press, press+hold) for up to 2 seconds. The green STATUS LED flashes to indicate the communications status.

LED	Communications Status
The STATUS LED turns on for five seconds.	The device is communicating with the control system.
The STATUS LED blinks three times.	The device is communicating with the gateway, but the gateway is not communicating with the control system.
The STATUS LED blinks twice.	The device was previously joined to the network but is not communicating with the gateway.
The STATUS LED blinks once.	The device is not joined to the network.



## » Error States

The CLC-FANDELVEX-W displays error codes using the STATUS LED. The STATUS LED flashes a pattern to indicate an overtemperature condition.

### Overcurrent Condition (2-1 pattern)

When an overcurrent condition exists, the STATUS LED flashes twice, pauses for one second, flashes once, pauses for 2 seconds, and then the pattern repeats until the error is corrected. Send a new light level to correct the overcurrent condition.

### Overtemperature Condition (2-3 pattern)

When an overtemperature condition exists, the STATUS LED flashes twice, pauses for one second, flashes three times, pauses for 2 seconds, and then the pattern repeats until the error is corrected. During an overtemperature condition, the light and fan turn off. The error clears when the device cools.

**NOTE:** Overtemperature conditions are not saved in nonvolatile memory and are cleared when power to the CLC-FANDELVEX-W is cycled.

## » Technical Specifications

Refer to the CLC-FANDELVEX-W product page at [www.crestron.com](http://www.crestron.com) for a complete list of product specifications.

Specification	Details
Load Ratings	
Load Types	Dimmed incandescent, CFL, LED, Tungsten, electronic low-voltage. NOTE: Do not connect to magnetic low-voltage load types.
Fan Load	120 VAC, 0.8 A, 60 Hz
Light Load	120 VAC, 200 W, 60 Hz (100 W Max for CFL or LED Loads)
Minimum Load	10 W
Power Requirements	110 VAC, 60 Hz, line power
Dimensions	
Height	4-3/4 in. (121 mm)
Width	2-1/8 in. (54 mm)
Depth	1-1/4 in. (32 mm)
Weight	0.5 oz (14 g)

## » Firmware Upgrade

Before using the CLC-FANDELVEX-W, ensure the device is using the latest firmware. Check for the latest firmware for the CLC-FANDELVEX-W at [www.crestron.com/firmware](http://www.crestron.com/firmware). Firmware is loaded onto the device using Crestron Toolbox™ software.

## » Additional Information

Scan or click the QR code for detailed product information.



CLC-FANDELVEX-W

infiNET EX

## Compliance and Legal

**Original Instructions:** The U.S. English version of this document is the original instructions. All other languages are a translation of the original instructions.

This product is Listed to applicable UL® Standards and requirements tested by Underwriters Laboratories Inc. Ce produit est homologué selon les normes et les exigences UL applicables par Underwriters Laboratories Inc.



### Federal Communications Commission (FCC) Compliance Statement

This device complies with Part 15 of the FCC Rules. Operation is subject to the following two conditions: (1) This device may not cause harmful interference, and (2) This device must accept any interference received, including interference that may cause undesired operation.

**CAUTION:** Changes or modifications not expressly approved by the manufacturer responsible for compliance could void the user's authority to operate the equipment.

**NOTE:** This equipment has been tested and found to comply with the limits for a Class B digital device, pursuant to part 15 of the FCC Rules. These limits are designed to provide reasonable protection against harmful interference in a residential installation. This equipment generates, uses and can radiate radio frequency energy and if not installed and used in accordance with the instructions, may cause harmful interference to radio communications. However, there is no guarantee that interference will not occur in a particular installation. If this equipment does cause harmful interference to radio or television reception, which can be determined by turning the equipment off and on, the user is encouraged to try to correct the interference by one or more of the following measures:

- Reorient or relocate the receiving antenna

- Increase separation between the equipment and the receiver
- Connect the equipment into an outlet on a circuit different from that to which the receiver is connected
- Consult the dealer or an experienced radio/TV technician for help

This equipment complies with FCC radiation exposure limits set forth for an uncontrolled environment. This equipment should be installed and operated with minimum distance 20cm between the radiator and your body. This transmitter must not be co-located or operating in conjunction with any other antenna or transmitter.

### Industry Canada (IC) Compliance Statement

CAN ICES-3(B)/NMB-3(B)

This equipment complies with IC RSS-102 radiation exposure limits set forth for an uncontrolled environment. This equipment should be installed and operated with minimum distance 20cm between the radiator and your body.

Cet équipement est conforme aux limites d'exposition aux radiations IC CNR-102 établies pour un environnement non contrôlé. Cet équipement doit être installé et utilisé avec une distance minimale de 20 cm entre le radiateur et votre corps.

L'émetteur/récepteur exempt de licence contenu dans le présent appareil est conforme aux CNR d'Innovation, Sciences et Développement économique Canada applicables aux appareils radio exempts de licence. L'exploitation est autorisée aux deux conditions suivantes :

- L'appareil ne doit pas produire de brouillage;
- L'appareil doit accepter tout brouillage radioélectrique subi, même si le brouillage est susceptible d'en compromettre le fonctionnement.

The product warranty can be found at [www.crestron.com/warranty](http://www.crestron.com/warranty).

The specific patents that cover Crestron products are listed at [www.crestron.com/legal/patents](http://www.crestron.com/legal/patents).

Certain Crestron products contain open source software. For specific information, please visit [www.crestron.com/opensource](http://www.crestron.com/opensource).

Crestron, the Crestron logo, Crestron Toolbox, infiNET EX, and the infiNET EX logo are either trademarks or registered trademarks of Crestron Electronics, Inc. in the United States and/or other countries. UL and the UL logo are either trademarks or registered trademarks of Underwriters Laboratories, Inc. in the United States and/or other countries. Other trademarks, registered trademarks, and trade names may be used in this document to refer to either the entities claiming the marks and names or their products. Crestron disclaims any proprietary interest in the marks and names of others. Crestron is not responsible for errors in typography or photography.

©2019 Crestron Electronics, Inc.

**Crestron Electronics, Inc.**  
15 Volvo Drive, Rockleigh, NJ 07647  
Tel: 888.CRESTRON  
Fax: 201.767.7576  
[www.crestron.com](http://www.crestron.com)

**Quick Start - Doc. 7705C  
(2053698)  
04.19**

Specifications subject to change without notice.