

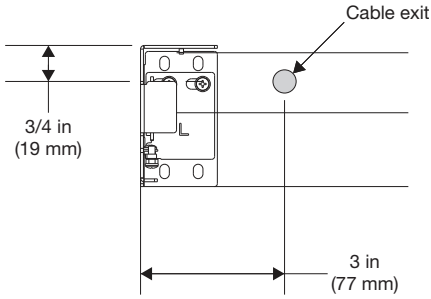
Description

The Crestron® Cresnet cable should exit the wall near the motor end of the shade assembly for proper functionality and a clean look. This ensures that the cable is out of sight and does not make contact with the fabric.

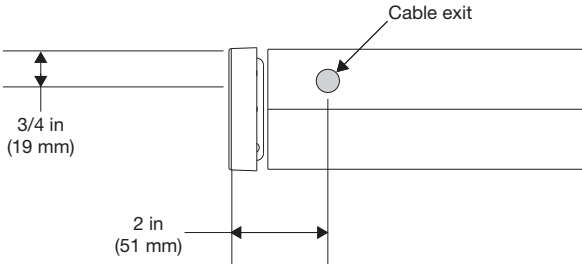
Refer to the illustrations that follow when running the cable.

NOTE: Use zip ties to secure the cable to the loop on the bracket.

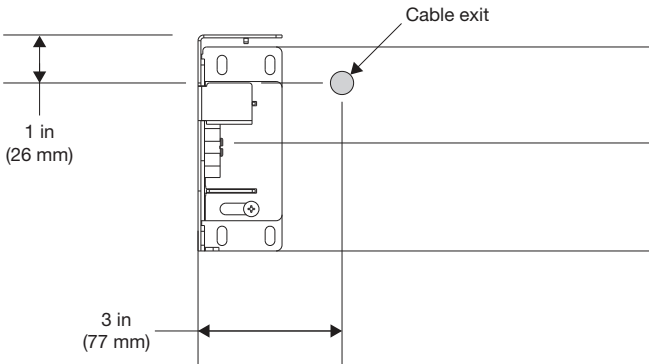
Cable Exit Location for Wall Mount Installation: CSA-ARCH3-BRKT



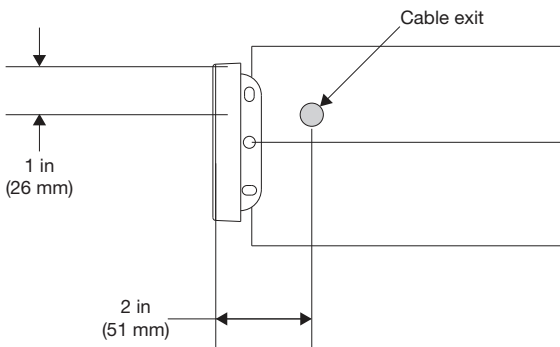
Cable Exit Location for Wall Mount Installation: CSA-DECOR3-BRKT



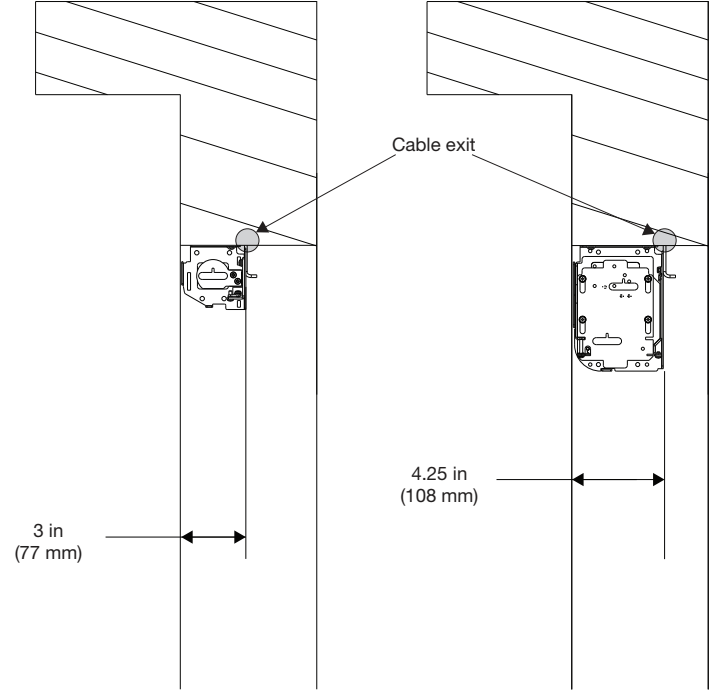
Cable Exit Location for Wall Mount Installation: CSA-ARCH5-BRKT



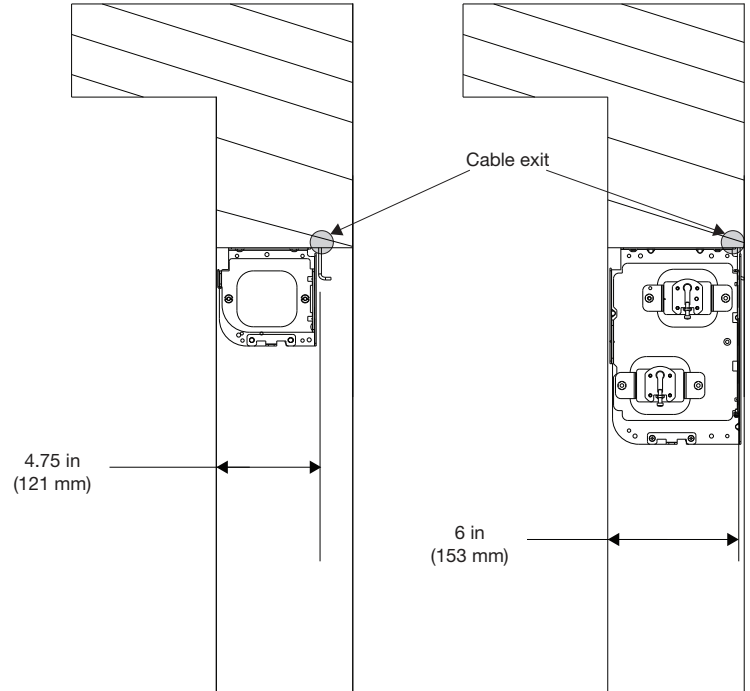
Cable Exit Location for Wall Mount Installation: CSA-DECOR5-BRKT



*Cable Exit Location for Jamb or Ceiling Mount:
 CSA-ARCH3-BRKT (Shown on the Left) and CSA-ARCH3-BRKT-DUAL (Shown on the Right)*



*Cable Exit Location for Jamb or Ceiling Mount:
 CSA-ARCH5-BRKT (Shown on the Left) and CSA-ARCH5-BRKT-DUAL (Shown on the Right)*



The product warranty can be found at www.crestron.com/warranty.

The specific patents that cover Crestron products are listed at patents.crestron.com.

Certain Crestron products contain open source software. For specific information, please visit www.crestron.com/opensource.

Crestron, the Crestron logo, and Cresnet are either trademarks or registered trademarks of Crestron Electronics, Inc. in the United States and/or other countries. Other trademarks, registered trademarks, and trade names may be used in this document to refer to either the entities claiming the marks and names or their products. Crestron disclaims any proprietary interest in the marks and names of others. Crestron is not responsible for errors in typography or photography.

This document was written by the Technical Publications department at Crestron.

©2016 Crestron Electronics, Inc.

Crestron Electronics, Inc.
15 Volvo Drive Rockleigh, NJ 07647
Tel: 888.CRESTRON
Fax: 201.767.7576
www.crestron.com

Installation Guide - DOC. 7923A
(2047340)
07.16

Specifications subject to
change without notice.