



Complete classroom solution for the unified campus

Remote learning | Unified Communications | Software-based video conferencing

Get your campus ready for the fall with our complete, ready-to-ship Crestron Flex for Zoom™ classroom systems. Instructors and students can present and share content from their own personal devices, simply and safely.

Option 1:

Complete system, no programming

- **A+ Partner Price: \$9,415**
- Native Zoom software experience
- Includes 10.1 in. touch screen
- One-touch simplicity
- Consistent user experience
- Wireless video and audio presentation
- Flawless video quality
- Crystal clear audio
- Instant sharing

Option 2:

Enhance your existing classroom systems

Add a Crestron Flex for Zoom system to transform your existing classrooms to hybrid learning spaces that support remote participation.

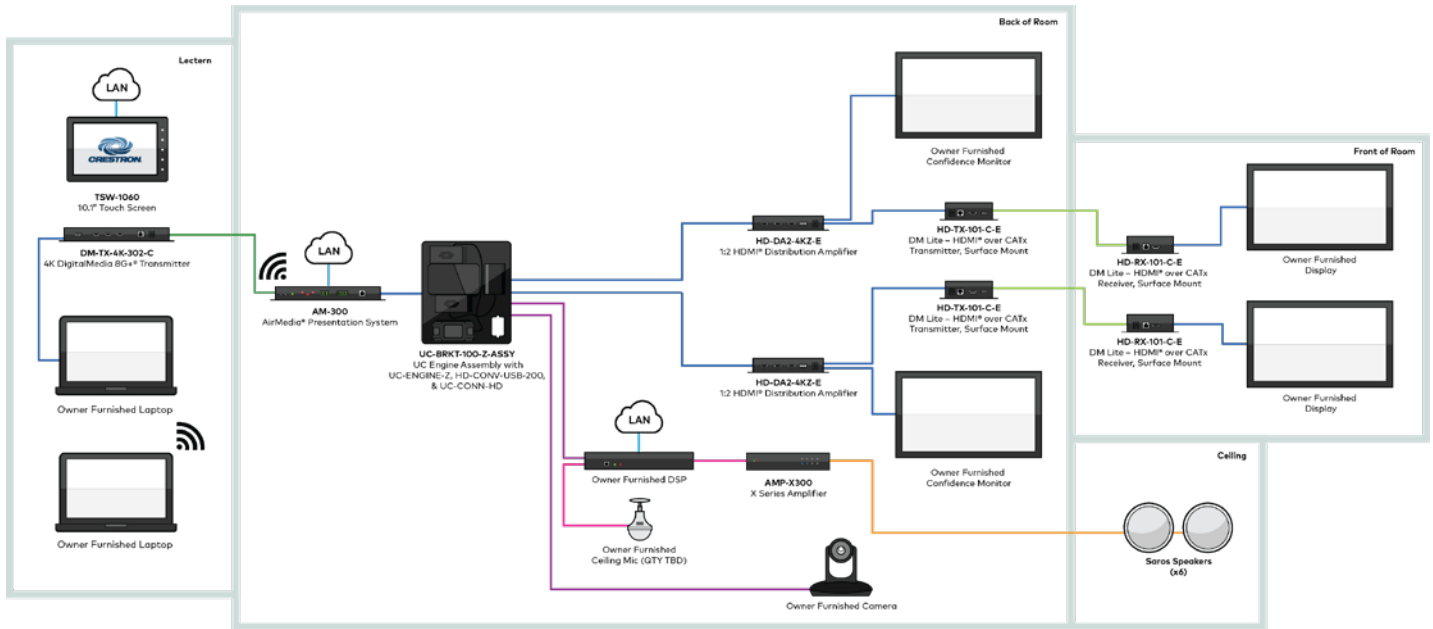
- Native Zoom software experience
- Allows for integration with existing room AV system
- Choose configuration for single or dual display
- Enterprise-grade security and network management

CARES Act: Higher Education Relief Fund

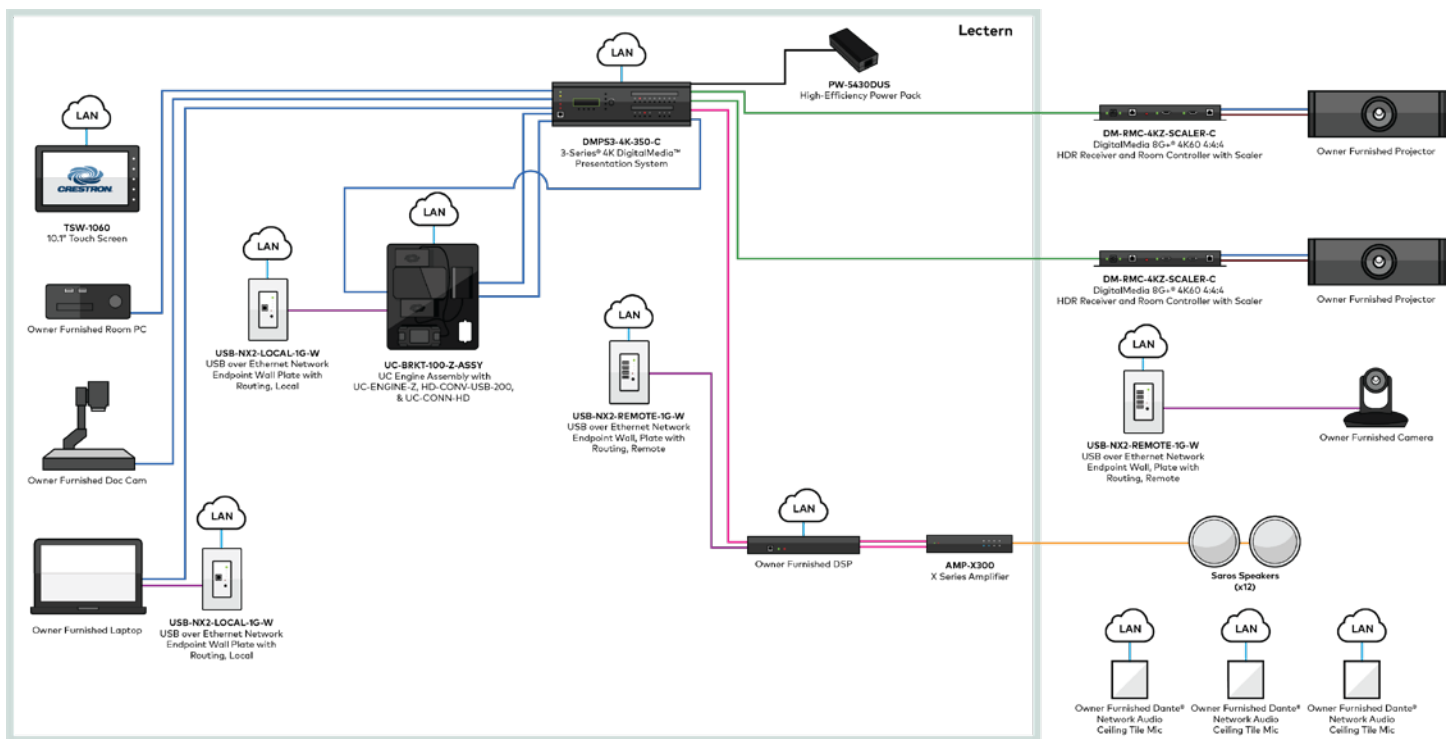


Crestron classroom solutions may qualify for funding under the institutional portion of the CARES Act Fund. **Act soon: CARES ACT funding must be used by Sept. 30th, 2020.** Your A+ Partner Regional Manager is ready to help.

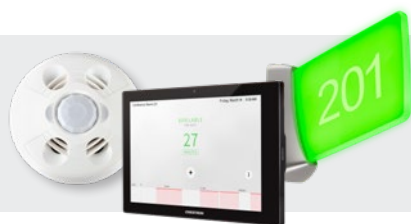
Option 1: Complete system, no programming



Option 2: Enhance your existing classroom systems



● CAT-5/6 ● HDMI® Cables ● DM® Cable ● USB ● RS-232 ● Audio ● Speaker ● Power



Make your classrooms even smarter and safer

Add Crestron room scheduling touch screens, room availability signs, and Power over Ethernet occupancy sensors to make it easier to adhere to room capacity/social distancing guidelines.

v. 070120

All brand names, product names, and trademarks are the property of their respective owners. Certain trademarks, registered trademarks, and trade names may be used in this document to refer to either the entities claiming the marks and names or their products. Crestron disclaims any proprietary interest in the marks and names of others. Crestron is not responsible for errors in typography or photography. ©2020 Crestron Electronics, Inc.

