

DIN-TSTAT-FCU

DIN Rail Heating & Cooling Fan-Coil Thermostat

- > Fan coil controller
- > System integration via Cresnet® or RS-485
- > Supports Cresnet, Modbus®, and BACnet™ protocols
- > Fully programmable
- > Configurable via a PC software application
- > Standalone operation option
- > 35 mm DIN rail mountable
- > 230 Volts AC line powered

The **DIN-TSTAT-FCU** is a fan coil unit (FCU) controller designed for use in two-pipe applications. It may be operated as a standalone controller or integrated with a home automation system or building management system (BMS). A Cresnet® port is provided for integration with a **Crestron® control system**. An RS-485 port is also included for communication with Modbus® or BACnet™. Full programmability enables use in various types of applications beyond control of FCUs. Configuration is facilitated using a PC based software application.

Standard 35 mm DIN rail mounting allows the DIN-TSTAT-FCU to be installed in a DIN rail enclosure (Crestron **DIN-EN** series or similar). A 9M wide DIN rail is also included for alternate mounting applications. The unit is 230 Volts AC line powered.

SPECIFICATIONS

Measurement Range

Indoor Temperature: 0° to 100° C (32° to 212° F) in 0.1° increments

Communications

Cresnet: Cresnet slave mode

RS-485: Supports Modbus and BACnet protocols

USB: USB device (for setup)

Power Requirements

15 Watts maximum at 230 Volts AC +10%

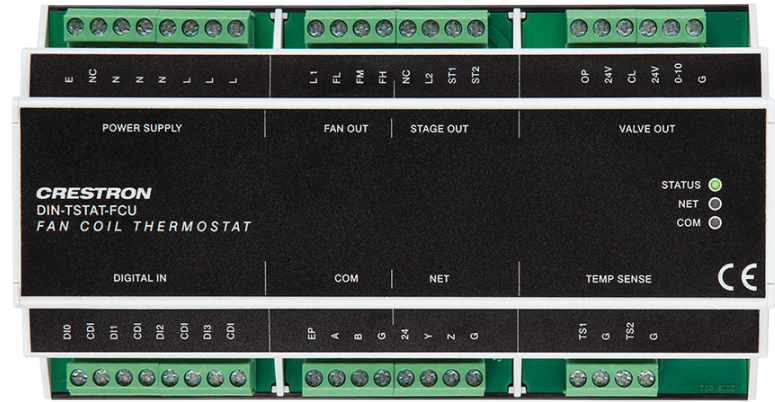
Connections

POWER SUPPLY: (8) Captive screw terminals;
230 VAC line power input and earth ground

FAN OUT: (4) Captive screw terminals;
Comprises (3) 16 Amp relays for 3-speed fan control

STAGE OUT: (4) Captive screw terminals;
Comprises (2) 16 Amp relays for compressor/heater control

VALVE OUT: (6) Captive screw terminals;
Provides (1) Modulated OP-CL triac or 0-10 VDC for control of 24 VAC, 6 Watt valve



DIGITAL IN: (8) Captive screw terminals;
Comprises (4) potential-free binary inputs

COM: (4) Captive screw terminals;
Comprises (1) RS-485 communication and 15 VDC supply port

NET: (4) Captive screw terminals;
Cresnet slave port

TEMP SENSE: (4) Captive screw terminals;
Comprises (2) analog inputs for 20k Ohm NTC temperature probes

USB (behind cover): (1) Mini USB connector;
USB device port for programming and parametrization

Indicators

STATUS: (1) Green LED, indicates device status

NET: (1) Amber LED, indicates activity on the NET port

COM: (1) Amber LED, indicates activity on the COM port

Setup (behind cover): (1) Pushbutton for Cresnet TSID (touch-settable ID)

Construction

Housing: Plastic

Mounting: 35 mm DIN EN 60715 rail mount, DIN 43880 form factor for enclosures with 45 mm front panel cutout, occupies 9 DIN module spaces (162 mm)

Environmental

Temperature: -10° to 55° C (14° to 131° F)

Humidity: Up to 95% RH (non-condensing)

Protection Rating: IP20 per IEC 60529

For indoor use only

DIN-TSTAT-FCU DIN Rail Heating & Cooling Fan-Coil Thermostat

Dimensions

Height: 91 mm (3.59 in)
 Width: 162 mm (6.37 in)
 Depth: 61 mm (2.40 in)

Weight

460 g (16.3 oz)

MODELS & ACCESSORIES

Available Models

DIN-TSTAT-FCU: DIN Rail Heating & Cooling Fan-Coil Thermostat

Available Accessories

- DIN-EN Series:** Enclosures for DIN Rail Devices
- DIN-AP3:** DIN Rail 3-Series® Automation Processor
- DIN-AP3MEX:** DIN Rail 3-Series® Automation Processor w/infiNET EX® & ER Wireless Gateway
- DIN-BLOCK:** DIN Rail Cresnet® Distribution Block
- DIN-CENCN-2:** Ethernet to Cresnet® Bridge
- DIN-CENCN-2-POE:** Ethernet to Cresnet® Bridge w/PoE

DIN-HUB: DIN Rail Cresnet® Distribution Hub

CRESNET: Cresnet® Control Cable

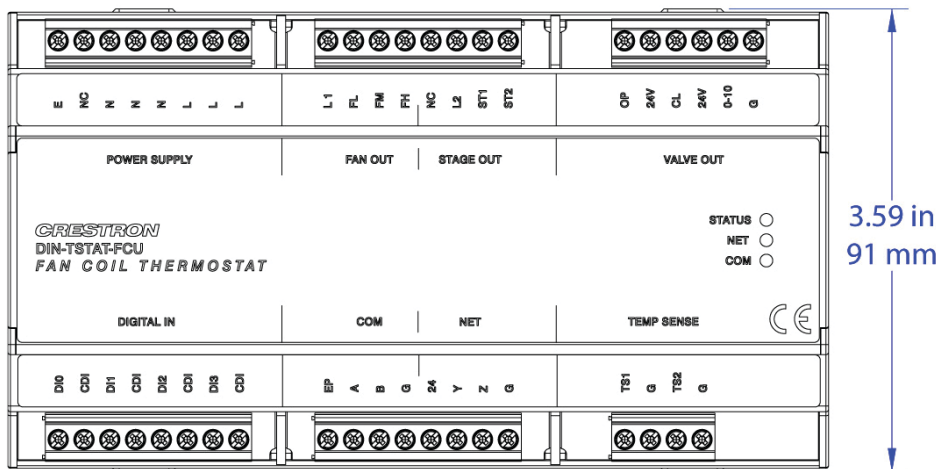
Notes:

This product may be purchased from an authorized Crestron dealer. To find a dealer, please contact the Crestron sales representative for your area. A list of sales representatives is available online at www.crestron.com/salesreps or by calling 800-237-2041.

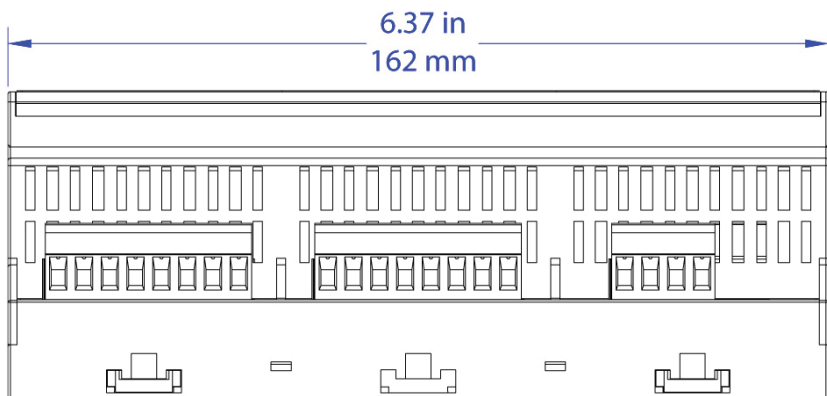
The specific patents that cover Crestron products are listed online at: patents.crestron.com.

Certain Crestron products contain open source software. For specific information, please visit www.crestron.com/opensource.

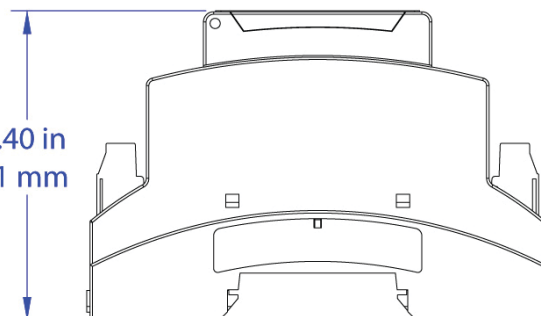
Crestron, the Crestron logo, 3-Series, Cresnet, and infiNET EX are either trademarks or registered trademarks of Crestron Electronics, Inc. in the United States and/or other countries. BACnet is either a trademark or registered trademark of American Society of Heating, Refrigerating and Air-Conditioning Engineers, Inc. in the United States and/or other countries. Modbus is either a trademark or registered trademark of Schneider Electric USA, Inc. in the United States and/or other countries. Other trademarks, registered trademarks, and trade names may be used in this document to refer to either the entities claiming the marks and names or their products. Crestron disclaims any proprietary interest in the marks and names of others. Crestron is not responsible for errors in typography or photography. Specifications are subject to change without notice. ©2018 Crestron Electronics, Inc.



3.59 in
91 mm



6.37 in
162 mm



2.40 in
61 mm