

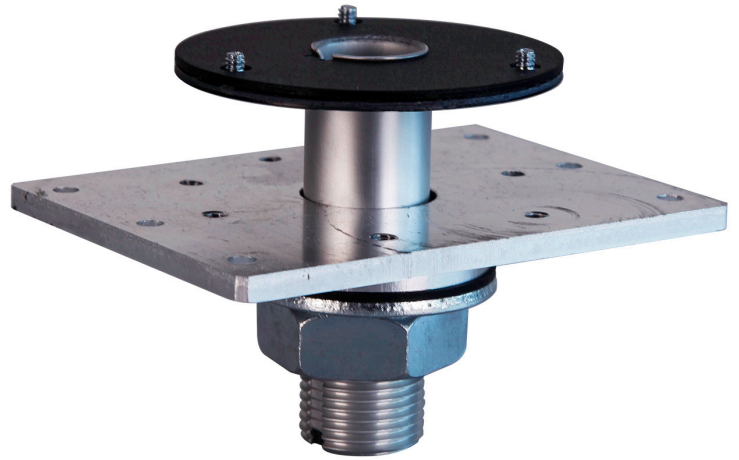
TSW-550/750/1050-SMK

Swivel Mount Kit for TSW-550-TTK, TSW-750-TTK & TSW-1050-TTK

The TSW-550/750/1050-SMK is a low-profile swivel mount accessory for the [TSW-550-TTK](#), [TSW-750-TTK](#), and [TSW-1050-TTK](#) TableTop Kits. It provides a means for permanently mounting the device to a table, desk, or counter top surface while retaining the ability to rotate it for optimal positioning. The swivel range can be customized using optional limit screws, with a maximum of 330-degree rotation allowed.

The swivel mount may be installed on any flat, level surface with a thickness of 1 inch (25 mm) minimum to 1 3/8 inch (35 mm) maximum. Wiring may be routed through the center of the swivel mount, passing beneath the mounting surface for a completely hidden appearance. The swivel mount can accommodate a bundle of wires up to 11/16 inch (17 mm) diameter.

See the [TSW-550-TTK](#), [TSW-750-TTK](#), and [TSW-1050-TTK](#) for complete specifications.



MODELS & ACCESSORIES

Available Models

TSW-550/750/1050-SMK: Swivel Mount Kit for TSW-550-TTK, TSW-750-TTK & TSW-1050-TTK

Notes:

This product may be purchased from an authorized Crestron dealer. To find a dealer, please contact the Crestron sales representative for your area. A list of sales representatives is available online at www.crestron.com/salesreps or by calling 800-237-2041.

The specific patents that cover Crestron products are listed online at: patents.crestron.com.

Crestron and the Crestron logo are either trademarks or registered trademarks of Crestron Electronics, Inc. in the United States and/or other countries. Other trademarks, registered trademarks, and trade names may be used in this document to refer to either the entities claiming the marks and names or their products. Crestron disclaims any proprietary interest in the marks and names of others. Crestron is not responsible for errors in typography or photography. Specifications are subject to change without notice. ©2014 Crestron Electronics, Inc.

TSW-550/750/1050-SMK Swivel Mount Kit

