

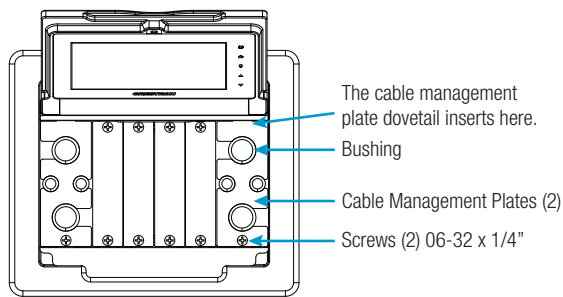
FT-TS600 FlipTop™ Touch Screen

DO Install the Device Installing the Bushings

The Crestron® FT-TS600 ships with two cable management plates preinstalled. These provide a pullout cable solution for the AUD OUT (audio output), COMPUTER, and LAN cables. A 6 foot (1.8 meter) USB type A to type B cable is included for the COMPUTER connection. Cables are looped through the cable management plates.

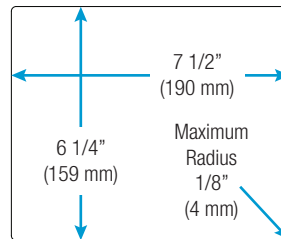
The included bushings must be installed before mounting the FT-TS600 into a surface. For a neat appearance, any unused openings can be filled using the included hole plugs. The only tool required to install the bushings is a Phillips screwdriver.

1. Remove the two cable management plates and retain the two 06-32 x 1/4" screws.
2. Place the bushings on the cables (eight bushings supplied).
3. Thread the cables through the appropriate slots in each cable management plate.
4. Snap the bushings into the cable management plate slots.
5. Feed all excess cable through the bushings.
6. Attach each cable management plate by sliding the dovetail into the slot shown below, dropping the front of the cable management plate into place, and then securing the cable management plate with the 06-32 x 1/4" screw from step 1.



Mounting into a Surface

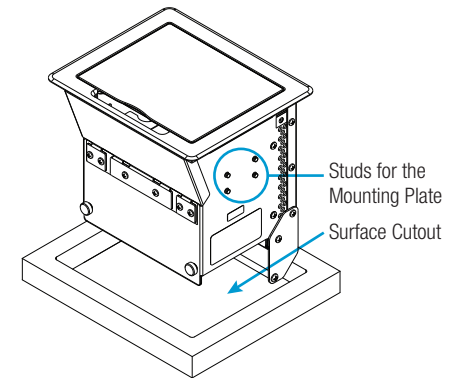
The FT-TS600 is designed to mount into a horizontal surface, such as a desktop, lectern, or podium. The following diagram illustrates the required cutout dimensions to accommodate the FT-TS600.



NOTE: Before inserting the FT-TS600 into the mounting hole, ensure that all require cables have been installed.

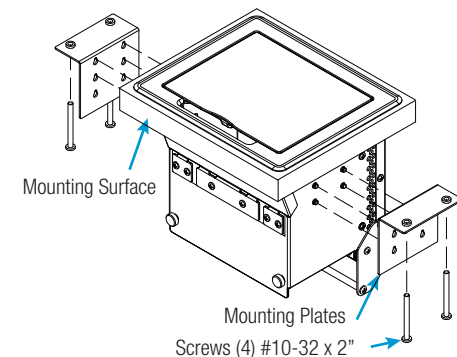
The only tools required are a Phillips screwdriver and a #10 Allen wrench. To mount the FT-TS600, use the following procedure:

1. Position the FT-TS600 in the mounting hole.
2. Install the four included 10-32 x 2" socket screws in the metal mounting plates (two screws per plate).
3. Slide the mounting plates over the studs on each side of the FT-TS600.



4. Turn the four 10-32 x 2" socket screws equally until they contact the underside of the mounting surface.

NOTE: Do not overtighten the screws because this may damage the surface or the unit.



DO Check the Box

QTY	PRODUCT	PART NUM.
2	Mounting Plates	2036985
4	Screws, 10-32 x 2", Socket	2037109
4	Small Hole Plugs	2036647
4	Large Hole Plugs	2036649
4	Small Bushings	2009522
4	Large Bushings	2010496
1	Connector, 3-Pin	2003575
1	Cable, USB 2.0, A-B, 6' (1.8 m)	2014966
1	Cutout Template	4519221

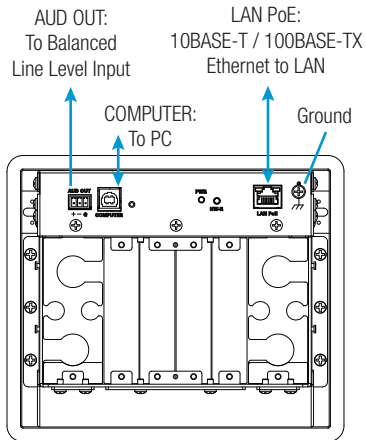


DO Connect the Device

Make the necessary connections as called out in the illustration that follows.

When making connections to the FT-TS600, note the following:

- Use Crestron power supplies for Crestron equipment.
- The included cable cannot be extended.



CAUTION: Do not apply excessive pressure to the touch screen display during handling. Doing so can crack the screen and damage the device.

NOTE: Ensure the unit is properly grounded by connecting the chassis ground lug to an earth ground (building steel).

DO Access the Setup Screens

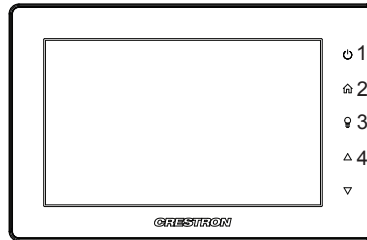
NOTE: The FT-TS600 can take up to 45 seconds to boot.

NOTE: If no project has been loaded or if an invalid project has been loaded, the screen displays the following message: "There is no display project to start. [Touch Screen to Enter Setup...]."

The setup screens enable basic configuration prior to regular operation of the FT-TS600.

During regular operation of the touch screen, there are two ways to access the setup screens:

1. Place a button on the project main page and assign the reserved join number (17242) that accesses the setup screens.
2. Press hard keys 1, 2, 3, and 4 on the right side of the touch screen display in sequence twice (press 1, 2, 3, 4, 1, 2, 3, 4) within a 5 second period.



DO Learn More

Visit the website for additional information and the latest firmware updates.

Crestron Electronics

15 Volvo Drive, Rockleigh, NJ 07647
888.CRESTRON | www.crestron.com



As of the date of manufacture, the product has been tested and found to comply with specifications for CE marking.

This product is Listed to applicable UL Standards and requirements by Underwriters Laboratories, Inc.

Federal Communications Commission (FCC) Compliance Statement

This device complies with part 15 of the FCC Rules. Operation is subject to the following two conditions:

(1) This device may not cause harmful interference, and (2) this device must accept any interference received, including interference that may cause undesired operation.

Caution: Changes or modifications not expressly approved by the manufacturer responsible for compliance could void the user's authority to operate the equipment.

Note: This equipment has been tested and found to comply with the limits for a Class B digital device, pursuant to part 15 of the FCC Rules. These limits are designed to provide reasonable protection against harmful interference in a residential installation. This equipment generates, uses and can radiate radio frequency energy and, if not installed and used in accordance with the instructions, may cause harmful interference to radio communications. However, there is no guarantee that interference will not occur in a particular installation.

If this equipment does cause harmful interference to radio or television reception, which can be determined by turning the equipment off and on, the user is encouraged to try to correct the interference by one or more of the following measures:

- Reorient or relocate the receiving antenna
- Increase the separation between the equipment and receiver
- Connect the equipment into an outlet on a circuit different from that to which the receiver is connected
- Consult the dealer or an experienced radio/TV technician for help

Industry Canada (IC) Compliance Statement

CAN ICES-3(B)/NMB-3(B)

Crestron product development software is licensed to Crestron dealers and Crestron Service Providers (CSPs) under a limited non-exclusive, non-transferable Software Development Tools License Agreement. Crestron product operating system software is licensed to Crestron dealers, CSPs, and end-users under a separate End-User License Agreement. Both of these Agreements can be found on the Crestron website at www.crestron.com/legal/software_license_agreement.

The specific patents that cover Crestron products are listed at patents.crestron.com.

The product warranty can be found at www.crestron.com/warranty.

Crestron and the Crestron logo are either trademarks or registered trademarks of Crestron Electronics, Inc. in the United States and/or other countries. UL and the UL logo are either trademarks or registered trademarks of Underwriters Laboratories, Inc. in the United States and/or other countries. Other trademarks, registered trademarks, and trade names may be used in this document to refer to either the entities claiming the marks and names or their products. Crestron disclaims any proprietary interest in the marks and names of others. Crestron is not responsible for errors in typography or photography.

This document was written by the Technical Publications department at Crestron.

©2015 Crestron Electronics, Inc.