

## Swivel Mount for TPS-6, TPS-6X, & TPS-6X-DS

The SMK-6X swivel mount is an optional mounting accessory for the Isys® TPS-6 Tilt Touch Screen, TPS-6X Wireless Touch Screen, and TPS-6X-DS Desktop Docking Station. The swivel mount provides a means of permanently mounting the touch screen or docking station to a flat countertop or tabletop surface<sup>[1]</sup> while still allowing for optimal positioning. The swivel range can be customized using optional limit screws, with a maximum of 330-degree rotation allowed. Cables may be passed out the back of the docking station, or routed down through the center of the swivel mechanism for a completely hidden solution.

### Available Models

**SMK-6X:** Swivel Mount Kit for TPS-6, TPS-6X, & TPS-6X-DS

#### Notes:

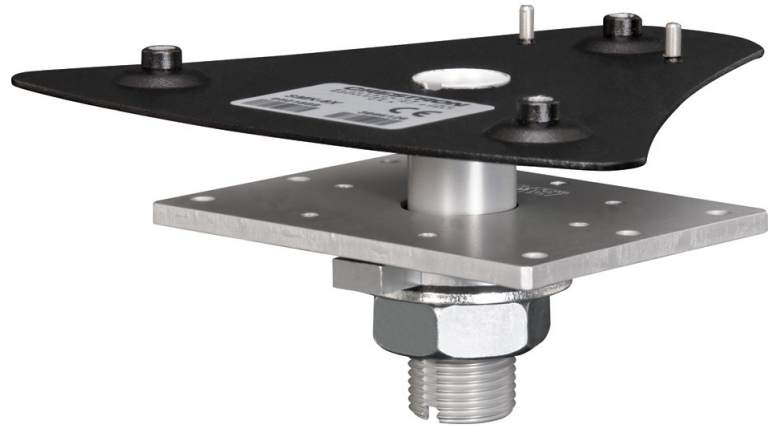
1. Surface thickness must be 1 inch (25 mm) minimum to 1 3/8 inch (35 mm) maximum.

This product may be purchased from an authorized Crestron dealer. To find a dealer, please contact the Crestron sales representative for your area. A list of sales representatives is available online at [www.crestron.com/salesreps](http://www.crestron.com/salesreps) or by calling 800-237-2041.

Specifications subject to change without notice. Crestron is not responsible for errors in typography or photography.

The specific patents that cover Crestron products are listed online at: [patents.crestron.com](http://patents.crestron.com).

Crestron, Isys, and the Crestron logo are either trademarks or registered trademarks of Crestron Electronics, Inc. in the United States and/or other countries. Other trademarks and trade names may be used in this document to refer to either the entities claiming the marks and names or their products. Crestron disclaims any proprietary interest in the marks and names of others.  
©2012 Crestron Electronics, Inc.



# SMK-6X Swivel Mount for TPS-6, TPS-6X, & TPS-6X-DS

