

16-Port Managed PoE Switch

The Crestron® [CEN-SWPOE-16](#) is a 16-port Gigabit Ethernet switch with PoE+ in an AV-friendly rack-mount form factor.



In the Box

- 1 CEN-SWPOE-16, 16-Port Managed PoE Switch

Additional Items

- 2 Bracket, Rack Ear, 1U (2032122)
- 4 Foot, 0.5 in. x 0.5 in. x 0.23 in., Adhesive (2002389)
- 1 Cable, Power, 6 ft 7 in. (2 m) (4505164)

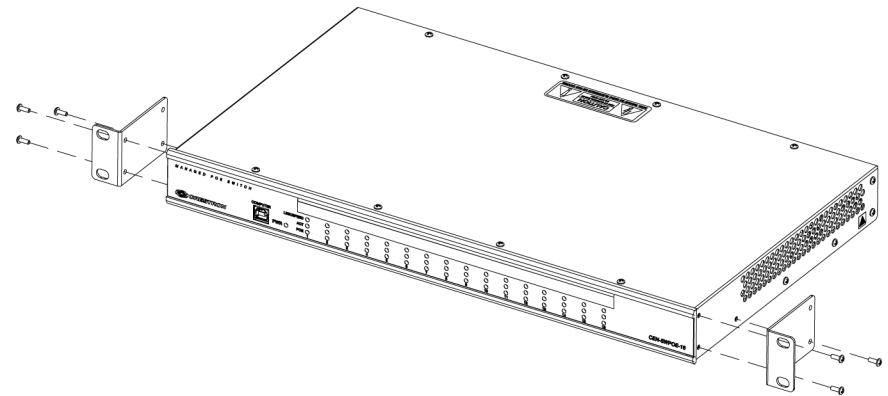


Install the Device

The CEN-SWPOE-16 can be mounted into a rack or placed on a flat surface.

Mount into a Rack

The CEN-SWPOE-16 occupies 1U of rack space. Use the three screws from the front part of each side panel, and a #1 or #2 Phillips screwdriver to attach the two included rack ears to the device, as shown in the following illustration. Then mount the device into the rack using four mounting screws (not included).



Rack Mounting Safety Precautions

Elevated Operating Ambient Temperature: If installed in a closed or multi-unit rack assembly, the operating ambient temperature of the rack environment may be greater than room ambient temperature. Therefore, consideration should be given to installing the equipment in an environment compatible with the maximum ambient temperature (T_{ma}) specified by the manufacturer.

16-Port Managed PoE Switch

Reduced Airflow: Installation of the equipment in a rack should be such that the amount of airflow required for safe operation of the equipment is not compromised.

Mechanical Loading: Mounting of the equipment in the rack should be such that a hazardous condition is not achieved due to uneven mechanical loading.

Circuit Overloading: Consideration should be given to the connection of the equipment to the supply circuit and the effect that overloading of the circuits might have on overcurrent protection and supply wiring. Appropriate consideration of equipment nameplate ratings should be used when addressing this concern.

Reliable Earthing: Reliable earthing of rack-mounted equipment should be maintained. Particular attention should be given to supply connections other than direct connections to the branch circuit (e.g., use of power strips).

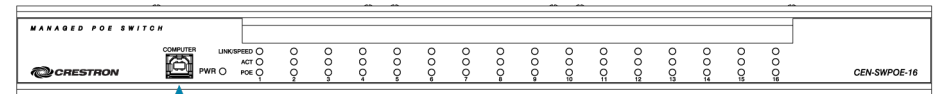
Place on a Flat Surface

Attach the included feet near the corners on the underside of the device before placing the device onto a flat surface or stacking it with other equipment.

Connect the Device

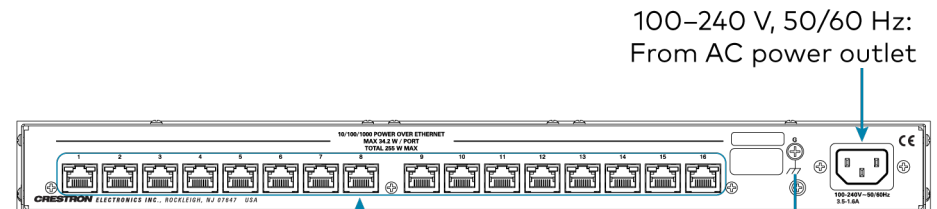
Connect the device as called out in the following illustrations. Connect power last.

Front View



COMPUTER:
To computer console

Rear View



1-16:
To PoE or non-PoE
network devices

NOTES:

- Ensure the unit is properly grounded by connecting the chassis ground lug to an earth ground (building steel).
- To prevent overheating, do not operate this product in an area that exceeds the environmental temperature range listed in the table of specifications on the product web page.

16-Port Managed PoE Switch

Electrical Connection:

"This product must be connected to an earthed mains socket-outlet."

Finland: "Laite on liitettävä suojamaadoituskoskettimilla varustettuun pistorasiaan."

Norway: "Apparatet må tilkoples jordet stikkontakt."

Sweden: "Apparaten skall anslutas till jordat uttag."



Configure the Device

The CEN-SWPOE-16 provides a web-based configuration utility. For more information about configuring the CEN-SWPOE-16, refer to the CEN-SWPOE-16 Supplemental Guide (Doc. 7408) at www.crestron.com/manuals.

16-Port Managed PoE Switch



Visit the Product Page

Scan the QR code to visit the product page.

CEN-SWPOE-16



www.crestron.com/model/6505820

Additional Information

Original Instructions

The U.S. English version of this document is the original instructions. All other languages are a translation of the original instructions.

Crestron product development software is licensed to Crestron dealers and Crestron Service Providers (CSPs) under a limited nonexclusive, nontransferable Software Development Tools License Agreement. Crestron product operating system software is licensed to Crestron dealers, CSPs, and end-users under a separate End-User License Agreement. Both of these Agreements can be found on the Crestron website at www.crestron.com/legal/software_license_agreement.

The product warranty can be found at www.crestron.com/warranty.

The specific patents that cover Crestron products are listed at www.crestron.com/legal/patents.

Certain Crestron products contain open source software. For specific information, visit www.crestron.com/opensource.

Crestron and the Crestron logo are either trademarks or registered trademarks of Crestron Electronics, Inc. in the United States and/or other countries. Other trademarks, registered trademarks, and trade names may be used in this document to refer to either the entities claiming the marks and names or their products. Crestron disclaims any proprietary interest in the marks and names of others. Crestron is not responsible for errors in typography or photography.

©2020 Crestron Electronics, Inc.

Doc. 7941B

04/22/20