

Crestron TST-600-DSW-PMK
Pre-Construction Wall Mount Kit
for TST-600-DSW

Installation Guide



Contents

| | |
|---|----------|
| Pre-Construction Wall Mount Kit for TST-600-DSW: TST-600-DSW-PMK | 1 |
| Description..... | 1 |
| Setup..... | 4 |
| Supplied Hardware | 4 |
| Mounting | 4 |
| Installation..... | 7 |
| Other Mounting Option Accessories | 7 |
| Resources..... | 8 |
| Reference Documents..... | 8 |
| Further Inquiries | 8 |
| Future Updates | 8 |

Product warranty can be found at www.crestron.com/warranty.

The specific patents that cover Crestron products are listed at patents.crestron.com.

Crestron and the Crestron logo are either trademarks or registered trademarks of Crestron Electronics, Inc. in the United States and/or other countries. Other trademarks, registered trademarks, and trade names may be used in this document to refer to either the entities claiming the marks and names or their products. Crestron disclaims any proprietary interest in the marks and names of others. *Crestron is not responsible for errors in typography or photography.*

This document was written by the Technical Publications department at Crestron.
©2014 Crestron Electronics, Inc.

Pre-Construction Wall Mount Kit for TST-600-DSW: TST-600-DSW-PMK

Description

The TST-600-DSW-PMK provides a simple solution for installing the Crestron® TST-600-DSW Wall Mount Docking Station and the TST-600-WALL and TST-602-WALL Wall Mount Wireless Touch Screens in a typical framed wall. Designed for pre-construction applications, the TST-600-DSW-PMK permits fastening to a stud of a framed wall prior to installation of drywall. A blank cover plate is included to provide a temporary cover for the opening during construction.

For custom placement of the TST-600-DSW without a stud, use the TST-600-DSW-WMKT or TST-600-DSW-WMKM.

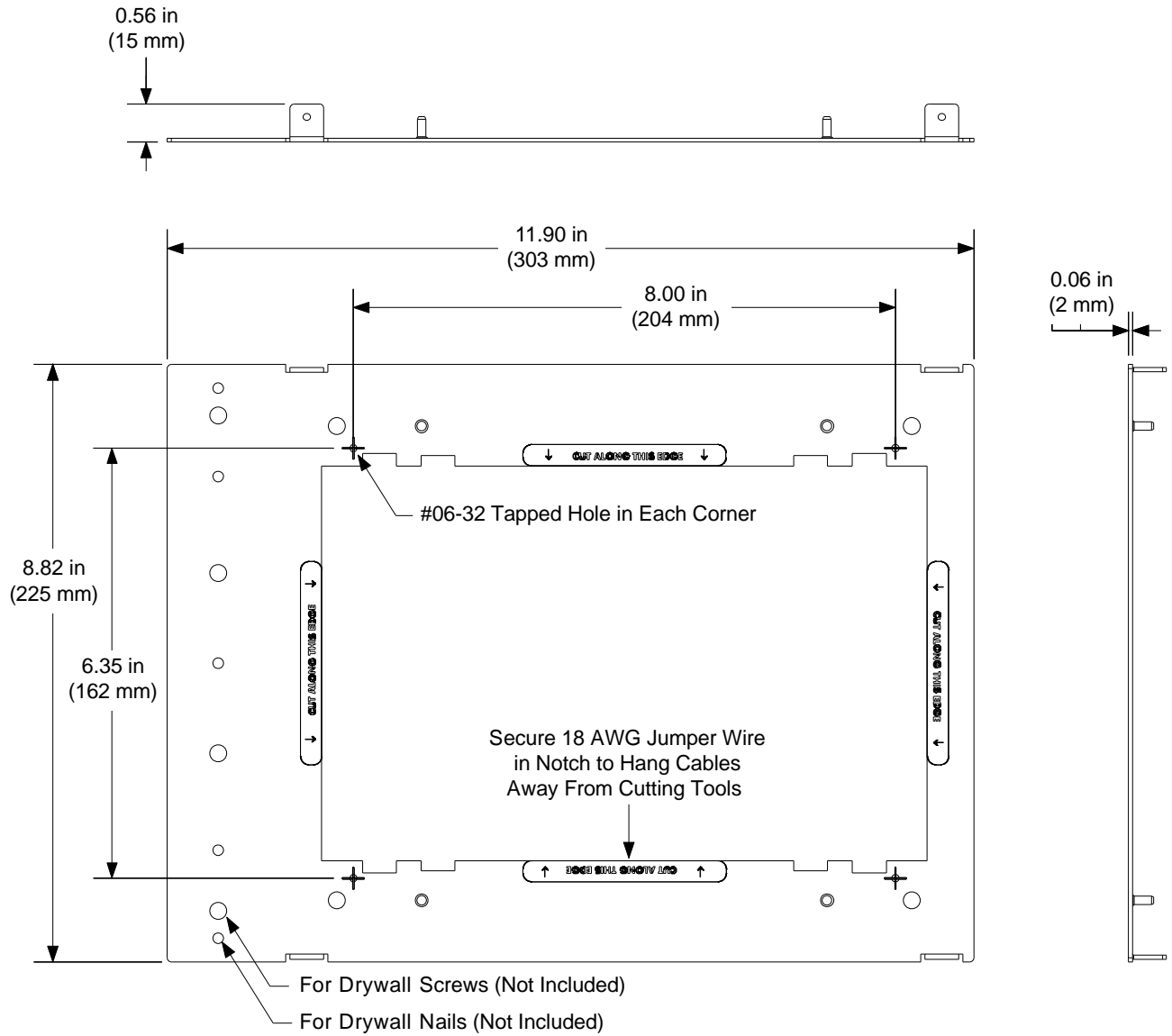
The TST-600-DSW-PMK includes a 12-inch long, 18 AWG jumper wire to secure docking station cabling prior to drywall installation and to avoid damaging the cables when the opening is routed.

NOTE: If mounting in a material other than drywall (for example, wood lectern, concrete or rock) use the cutout template, available in the post-construction kit TST-600-DSW-WMKM or TST-600-DSW-WMKT. For concrete and rock installations, allow for proper ventilation before mounting the TST-600-DSW.

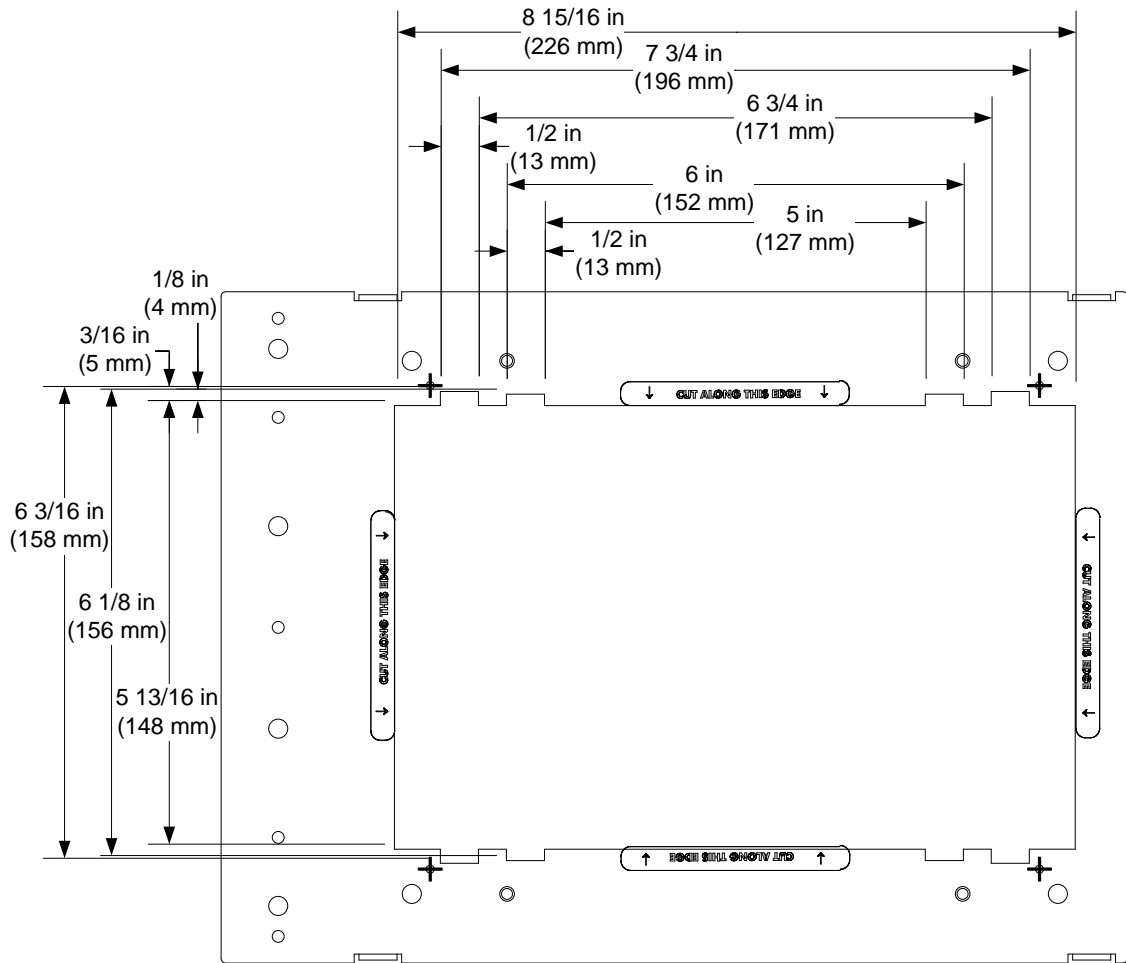
NOTE: This mounting kit is to be used only with the TST-600-DSW Wall Mount Docking Station.

The dimensions of the TST-600-DSW-PMK are shown in the following illustrations.

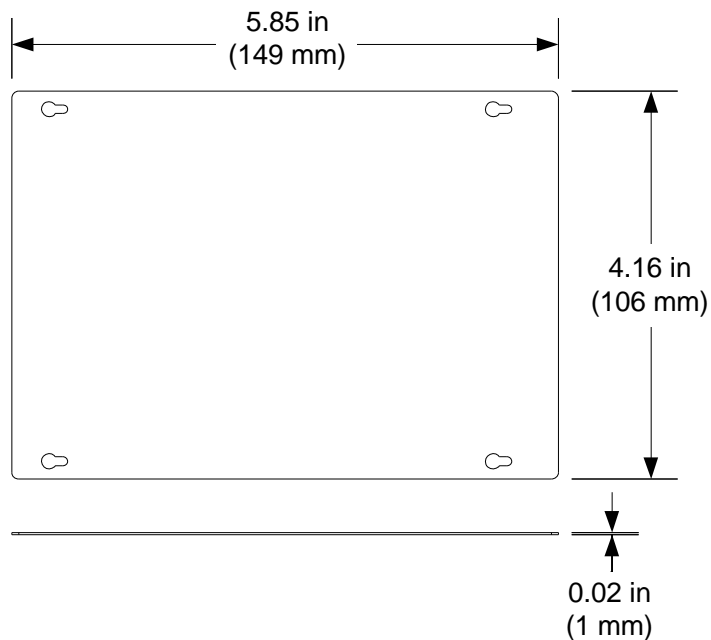
TST-600-DSW-PMK Overall Dimensions (1 of 2)



TST-600-DSW-PMK Overall Dimensions (2 of 2)



TST-600-DSW-PMK Overall Dimensions (Cover Plate)



Setup

Supplied Hardware

The hardware supplied with the TST-600-DSW-PMK is listed in the following table.

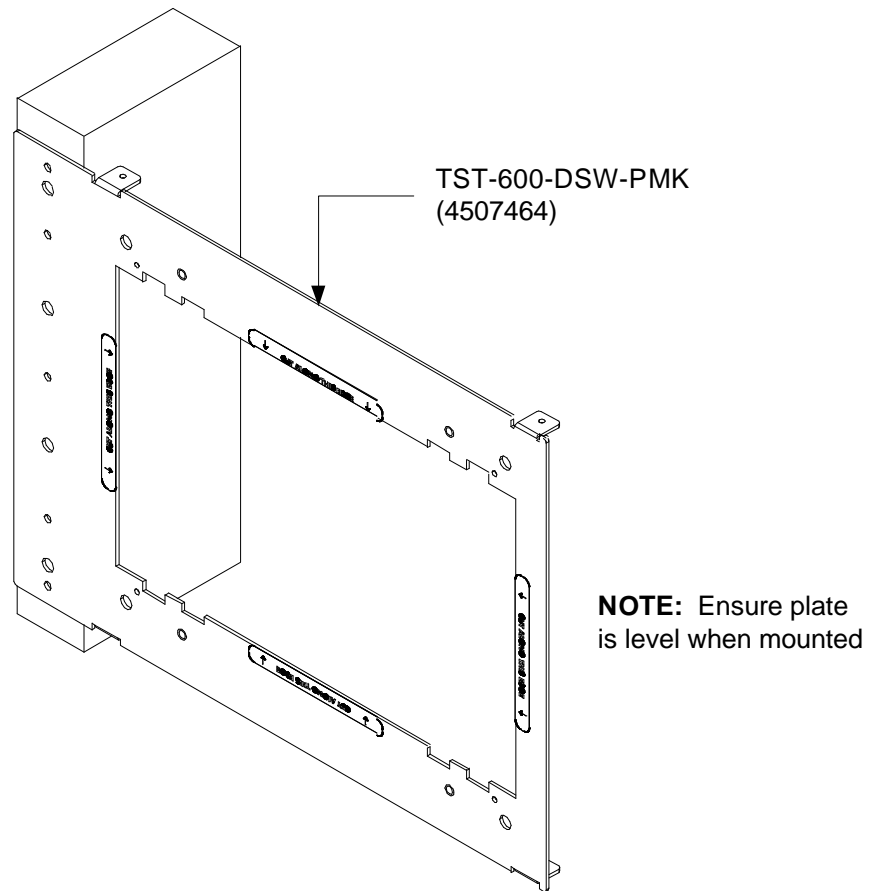
Supplied Hardware for the TST-600-DSW-PMK

| DESCRIPTION | PART NUMBER | QUANTITY |
|-----------------------------------|-------------|----------|
| Metal, Plate, Pre-Construction | 4507464 | 1 |
| Metal, Plate, Blank, Cover | 2022825 | 1 |
| Screw, #06-32 x 1-1/2", Pan, Phil | 2007254 | 4 |
| Wire, Jumper, 12", 18 AWG, Black | 2007838 | 1 |

Mounting

The TST-600-DSW-PMK consists of a single metal plate, which fastens to a stud of a framed wall prior to hanging drywall. Standard drywall nails or screws to attach the TST-600-DSW-PMK are not included.

The plate is designed to provide the necessary support for the TST-600-DSW and can mount on the right or left side of a stud. Confirm that the TST-600-DSW-PMK is level before applying drywall.

Mounting the TST-600-DSW-PMK

CAUTION: Allow an air gap of at least 12 inches (305 mm) in the wall cavity above and below the TST-600-DSW for heat dissipation.

After drywall is positioned, a rectangular opening must be made. Position the opening to expose the #06-32 tapped holes near the four corners of the opening in the plate.

NOTE: Cut the drywall along the inside edge of the front of the mounting plate. The labels on the front of the mounting plate indicate the perimeter of the opening that should be cut. Refer to **NOTE** in the illustration above.

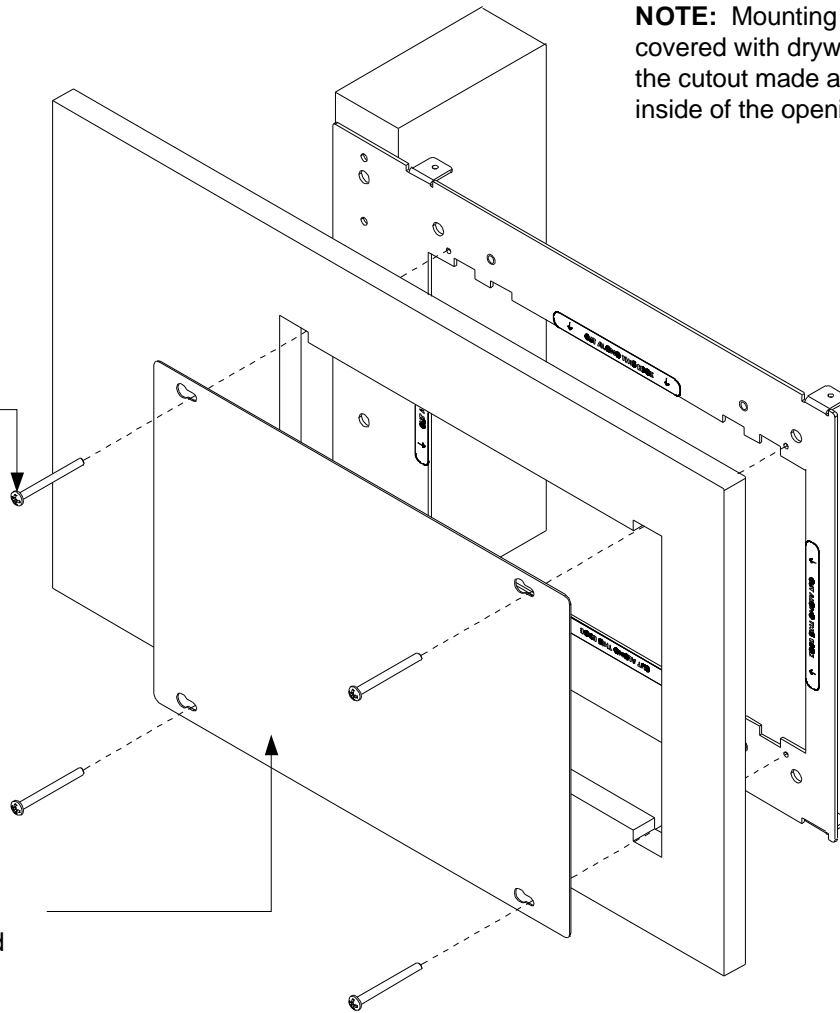
Mounted View with Cover Plate

NOTE: Be sure to leave the four tapped holes on the front of the plate exposed to accept the mounting screws.

NOTE: Mounting plate is to be covered with drywall and then the cutout made around the inside of the opening.

Screws (4)
#06-32 x 1 1/2" Pan,
(2007254)

Cover Plate (2022825)
to cover cutout in drywall
before TST-600-DSW is
installed (may be required
by local building codes)

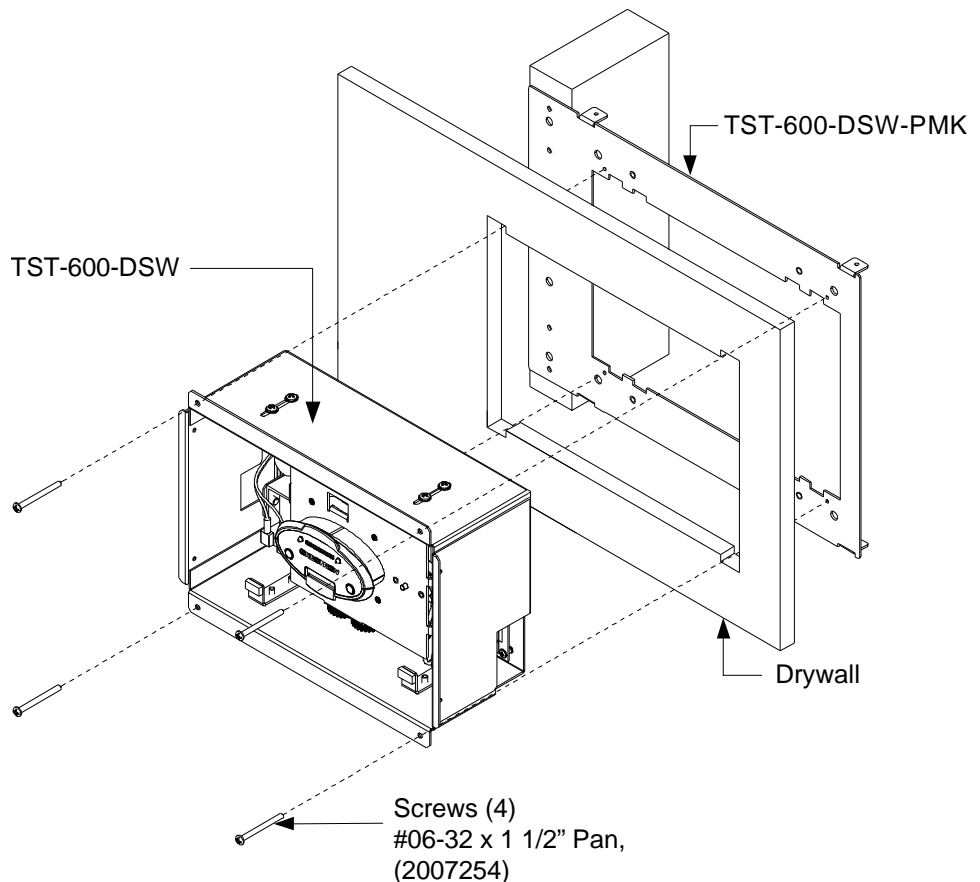


NOTE: The four tapped holes on the front of the mounting plate must be exposed to accept the TST-600-DSW mounting screws. These holes are found along the top and bottom of the opening made by cutting out the drywall. Refer to **NOTEs** in the illustration above.

Installation

Complete the installation by either installing the TST-600-DSW, leaving the hole open (if permitted by local building codes) or installing the optional cover plate with the included #06-32 x 1-1/2" screws. If the TST-600-DSW is to be installed, refer to the latest version of the TST-600-DSW Operations & Installation Guide (Doc. 7434) for installation instructions. The document is available at www.crestron.com/manuals. Refer also to the following comprehensive illustration.

TST-600-DSW Mounting (Exploded View)



Other Mounting Option Accessories

If too much of the mounting plate is exposed after the drywall is cut, the area may need to be patched. Crestron provides the following accessories:

- TST-600-DSW-TMK (Doc. 7456): for smaller repairs and to provide a smooth edge at the opening. This option provides a finished appearance and is preferred when wallpaper is hung.
- TST-600-DSW-MMK (Doc. 7457): for larger repairs and to fill in larger irregularities around the opening (requires plastering).

The manuals for the TST-600-DSW-TMK and TST-600-DSW-MMK are available at www.crestron.com/manuals.

Resources

Reference Documents

All documents mentioned in this guide are available at www.crestron.com/manuals.

List of Related Reference Documents

| DOCUMENT TITLE |
|---|
| TST-600-DSW Wall Mount Docking Station for TST-602 |
| TST-600-DSW-MMK & TST-600-DSW-WMKM Mud Mount Kits for TST-600-DSW |
| TST-600-DSW-TTK & TST-600-DSW-WMKT Trim Ring Kits for TST-600-DSW |

Further Inquiries

To locate specific information or resolve questions after reviewing this guide, contact Crestron's True Blue Support at 1-888-CRESTRON [1-888-273-7876] or, for assistance within a particular geographic region, refer to the listing of Crestron worldwide offices at www.crestron.com/offices.

To post a question about Crestron products, log onto Crestron's Online Help at www.crestron.com/onlinehelp. First-time users must establish a user account to fully benefit from all available features.

Future Updates

As Crestron improves functions, adds new features, and extends the capabilities of the TST-600-DSW-PMK, additional information may be made available as manual updates. These updates are solely electronic and serve as intermediary supplements prior to the release of a complete technical documentation revision.

Check the Crestron website periodically for manual update availability and its relevance. Updates are identified as an "Addendum" in the Download column.

This page is intentionally left blank.



Crestron Electronics, Inc.
15 Volvo Drive Rockleigh, NJ 07647
Tel: 888.CRESTRON
Fax: 201.767.7576
www.crestron.com



**Installation Guide – DOC. 7453B
(2035127)**

12.14

Specifications subject to
change without notice.