

Crestron **BBI-IDOCV-DSW**

Wall Mount Back Box for

CEN-IDOCV-DSW – International Version

Installation Guide



This document was prepared and written by the Technical Documentation department at:



Crestron Electronics, Inc.

15 Volvo Drive

Rockleigh, NJ 07647

1-888-CRESTRON

### **Regulatory Compliance**

As of the date of manufacture, the BBI-IDOCV-DSW has been tested and found to comply with specifications for CE marking and standards per EMC and Radiocommunications Compliance Labelling.



# Contents

<b>Wall Mount Back Box for CEN-IDOCV-DSW – International Version: BBI-IDOCV-DSW</b>	<b>1</b>
Description.....	1
Installation .....	4
Resources.....	5
Reference Documents.....	5
Further Inquiries .....	5
Future Updates .....	5
Return and Warranty Policies.....	6
Merchandise Returns / Repair Service .....	6
CRESTRON Limited Warranty.....	6



# Wall Mount Back Box for CEN-IDOCV-DSW – International Version: BBI-IDOCV-DSW

---

## Description

The BBI-IDOCV-DSW is a mounting option for the Crestron® CEN-IDOCV-DSW. It is designed to be installed in a solid material, such as concrete or masonry. Six knockout holes are provided along the top, bottom, and sides of the masonry box for control system wiring. An optional cover plate is included to cover the opening before installing the CEN-IDOCV-DSW. The table on the following page lists all parts included with the BBI-IDOCV-DSW.

---

**NOTE:** If mounting into a surface other than a solid material (i.e., drywall or paneling) Crestron offers a variety of pre-construction and post construction mounting options. For pre-construction applications, use the BB-IDOCV-DSW or PMK-IDOCV-DSW mounting options. For post-construction applications, use the WMKT-IDOCV-DSW or WMKM-IDOCV-DSW mounting options.

**NOTE:** Depending on the installation, forced ventilation may be required. Refer to the environmental temperature range listed in the table of specifications in the CEN-IDOCV-DSW Operations & Installation Guide (Doc. 6827). This document is available from the Crestron Web site ([www.crestron.com/manuals](http://www.crestron.com/manuals)).

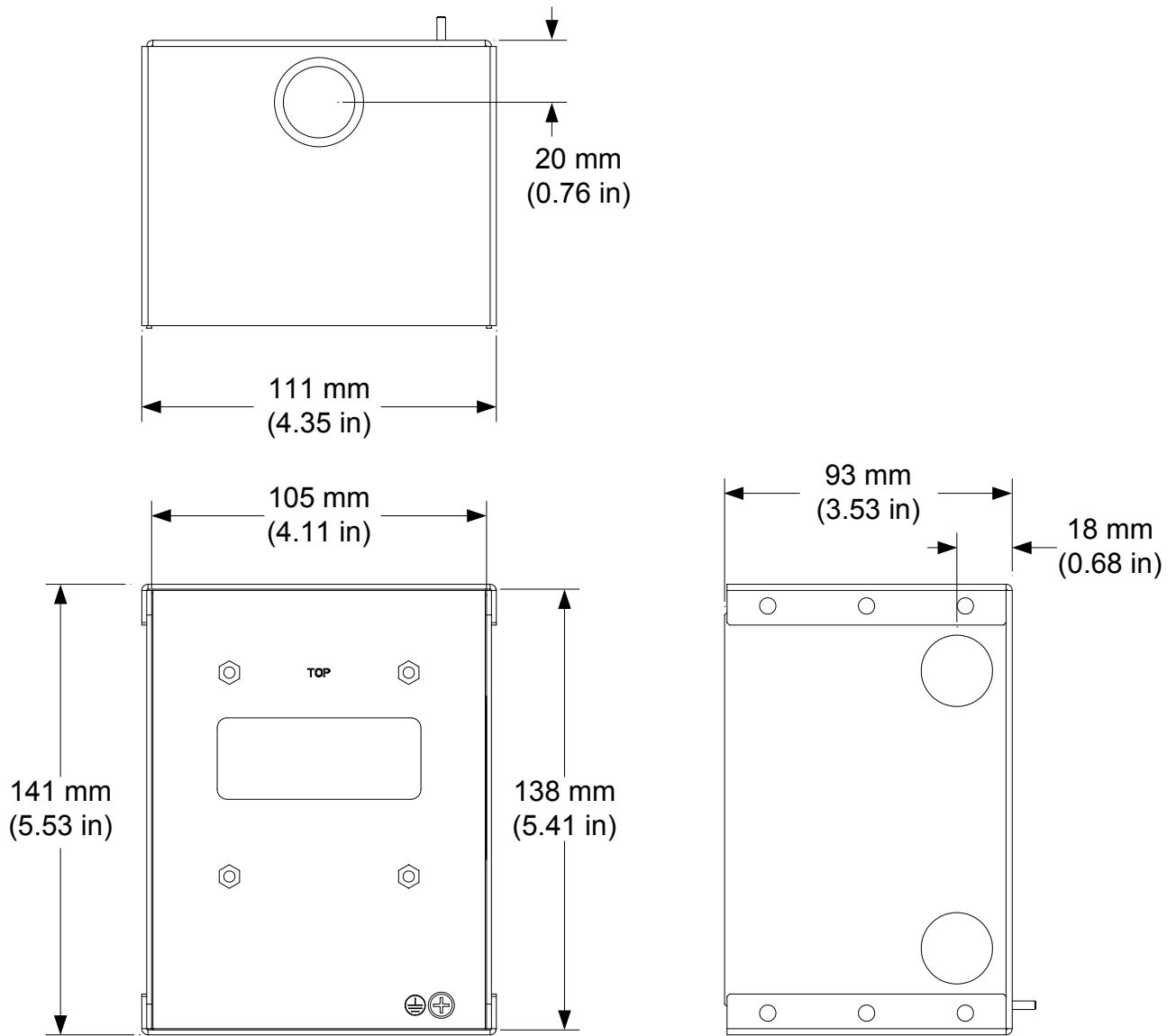
---

*Supplied Hardware for the BBI-IDOCV-DSW*

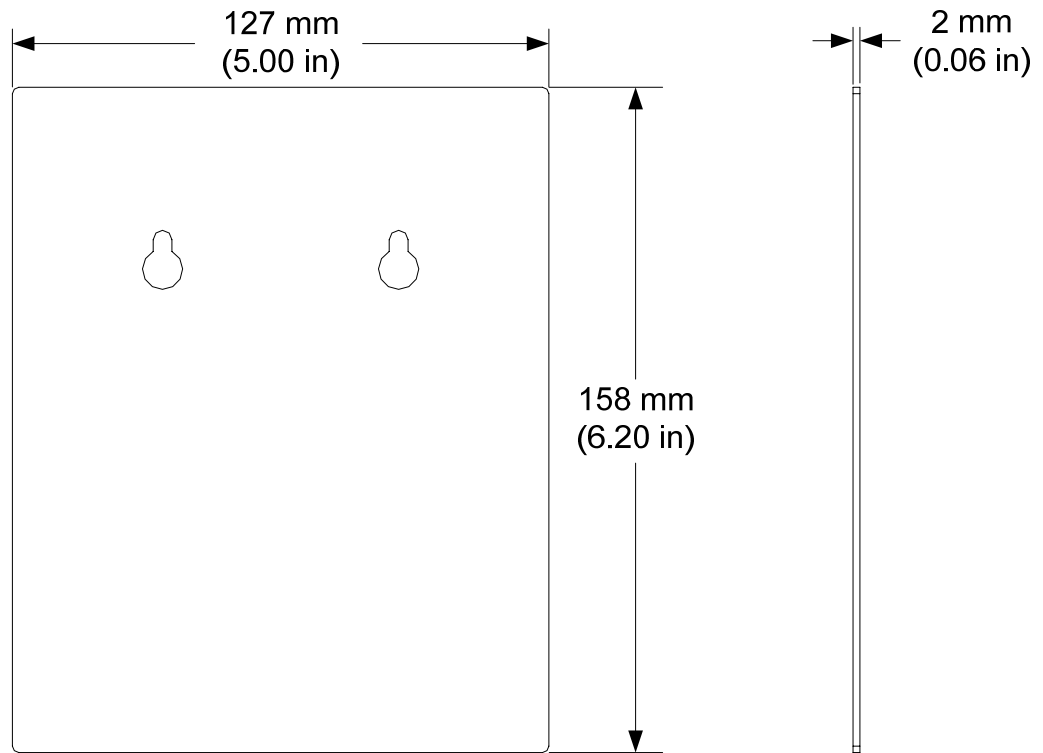
DESCRIPTION	PART NUMBER	QUANTITY
Assembly, Wall Mount, Back Box	4511392	1
Screw, #06-32 x 3", Pan, Phil	2025260	2
Metal, Plate, Cover	2025259	1

The dimensions of the BBI-IDOCV-DSW are shown in the following illustration.

*BBI-IDOCV-DSW Overall Dimensions*



*Cover Plate Overall Dimensions*



---

**NOTE:** Knockout holes are intended for Class 2 wiring only and are 13 mm (1/2 in) and 20 mm (3/4 in) diameter.

---

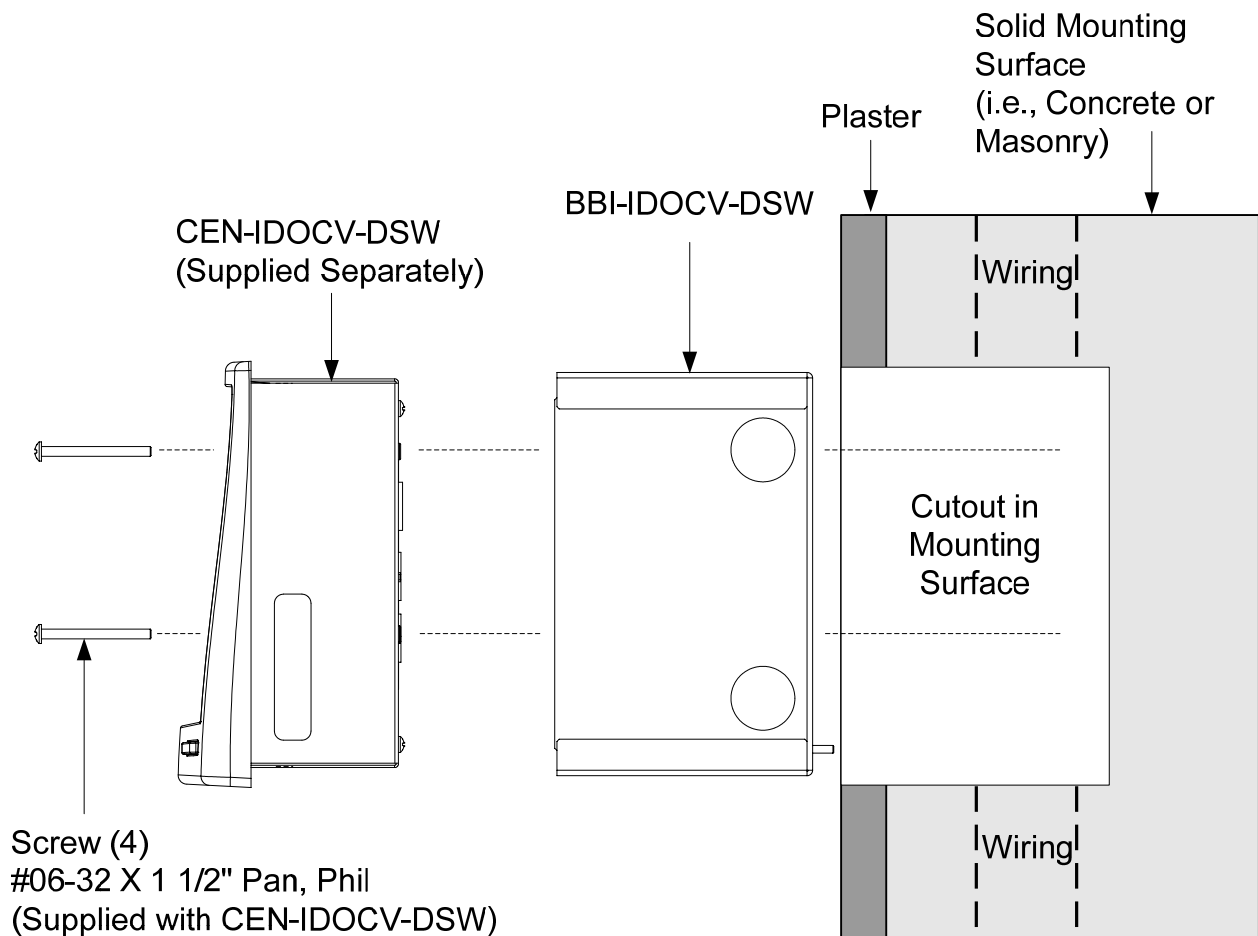
## Installation

Make sure the arrow on the label inside the back box is facing upwards. Mount the BBI-IDOCV-DSW as shown below. Adding forced ventilation may be required.

**NOTE:** Remove the appropriate knockouts before installation.

**NOTE:** If the CEN-IDOCV-DSW will not be immediately installed after the back box installation, cover the opening with the included cover plate and Phillips screws.

### *Mounting the BBI-IDOCV-DSW (Exploded View)*





## Resources

### Reference Documents

The latest version of all documents mentioned within the guide can be obtained from the Crestron Web site ([www.crestron.com/manuals](http://www.crestron.com/manuals)). This link will provide a list of product manuals arranged in alphabetical order by model number.

#### *List of Related Reference Documents*

DOCUMENT TITLE
Wall Mount Interface for Apple® iPod®

### Further Inquiries

If you cannot locate specific information or have questions after reviewing this guide, please take advantage of Crestron's award winning customer service team by calling Crestron at 1-888-CRESTRON [1-888-273-7876].

You can also log onto the online help section of the Crestron Web site ([www.crestron.com/onlinehelp](http://www.crestron.com/onlinehelp)) to ask questions about Crestron products. First-time users will need to establish a user account to fully benefit from all available features.

### Future Updates

As Crestron improves functions, adds new features and extends the capabilities of the BBI-IDOCV-DSW, additional information may be made available as manual updates. These updates are solely electronic and serve as intermediary supplements prior to the release of a complete technical documentation revision.

Check the Crestron Web site periodically for manual update availability and its relevance. Updates are identified as an “Addendum” in the Download column.

---

## Return and Warranty Policies

### Merchandise Returns / Repair Service

1. No merchandise may be returned for credit, exchange or service without prior authorization from CRESTRON. To obtain warranty service for CRESTRON products, contact an authorized CRESTRON dealer. Only authorized CRESTRON dealers may contact the factory and request an RMA (Return Merchandise Authorization) number. Enclose a note specifying the nature of the problem, name and phone number of contact person, RMA number and return address.
2. Products may be returned for credit, exchange or service with a CRESTRON Return Merchandise Authorization (RMA) number. Authorized returns must be shipped freight prepaid to CRESTRON, 6 Volvo Drive, Rockleigh, N.J. or its authorized subsidiaries, with RMA number clearly marked on the outside of all cartons. Shipments arriving freight collect or without an RMA number shall be subject to refusal. CRESTRON reserves the right in its sole and absolute discretion to charge a 15% restocking fee plus shipping costs on any products returned with an RMA.
3. Return freight charges following repair of items under warranty shall be paid by CRESTRON, shipping by standard ground carrier. In the event repairs are found to be non-warranty, return freight costs shall be paid by the purchaser.

### CRESTRON Limited Warranty

CRESTRON ELECTRONICS, Inc. warrants its products to be free from manufacturing defects in materials and workmanship under normal use for a period of three (3) years from the date of purchase from CRESTRON, with the following exceptions: disk drives and any other moving or rotating mechanical parts, pan/tilt heads and power supplies are covered for a period of one (1) year; touchscreen display and overlay components are covered for 90 days; batteries and incandescent lamps are not covered.

This warranty extends to products purchased directly from CRESTRON or an authorized CRESTRON dealer. Purchasers should inquire of the dealer regarding the nature and extent of the dealer's warranty, if any.

CRESTRON shall not be liable to honor the terms of this warranty if the product has been used in any application other than that for which it was intended or if it has been subjected to misuse, accidental damage, modification or improper installation procedures. Furthermore, this warranty does not cover any product that has had the serial number altered, defaced or removed.

This warranty shall be the sole and exclusive remedy to the original purchaser. In no event shall CRESTRON be liable for incidental or consequential damages of any kind (property or economic damages inclusive) arising from the sale or use of this equipment. CRESTRON is not liable for any claim made by a third party or made by the purchaser for a third party.

CRESTRON shall, at its option, repair or replace any product found defective, without charge for parts or labor. Repaired or replaced equipment and parts supplied under this warranty shall be covered only by the unexpired portion of the warranty.

Except as expressly set forth in this warranty, CRESTRON makes no other warranties, expressed or implied, nor authorizes any other party to offer any warranty, including any implied warranties of merchantability or fitness for a particular purpose. Any implied warranties that may be imposed by law are limited to the terms of this limited warranty. This warranty statement supersedes all previous warranties.

This page is intentionally left blank.



**Crestron Electronics, Inc.**  
15 Volvo Drive Rockleigh, NJ 07647  
Tel: 888.CRESTRON  
Fax: 201.767.7576  
[www.crestron.com](http://www.crestron.com)

---

**Installation Guide – DOC. 7081A  
(2028866)**

**12.10**

Specifications subject to  
change without notice.