



Description

The Crestron® CSA-ARCH5-BRKT-CPLR-ANG allows architectural shades to be coupled while conforming to the corners in a room. The coupler can create a 90-degree bend around a corner or a smaller angle to follow the windows in a bay window.

Additional Resources

Visit the product page on the Crestron website (www.crestron.com) for additional information and the latest firmware updates. Use a QR reader application on your mobile device to scan the QR image.



Install the Angled Coupler

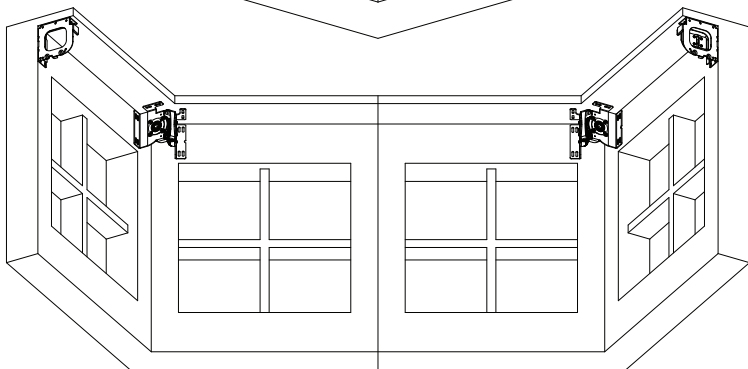
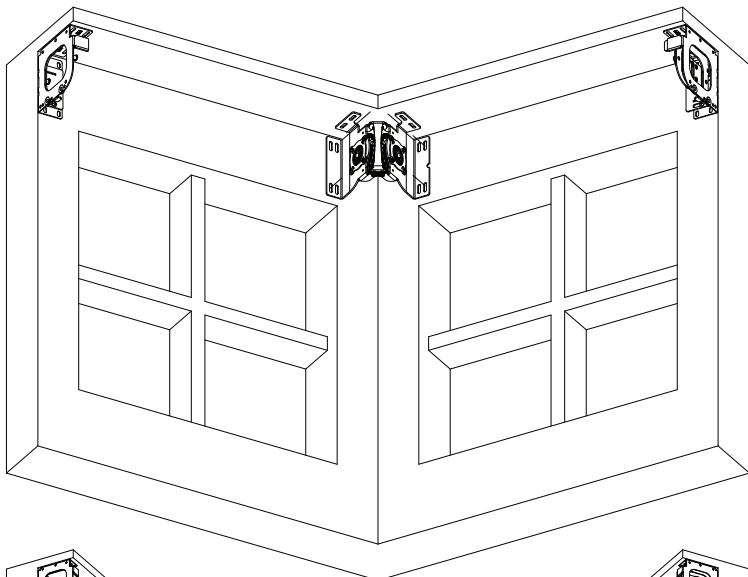
The CSA-ARCH5-BRKT-CPLR-ANG is mounted to the wall using the supplied bracket. The angled coupler is installed in conjunction with the CSA-ARCH5-BRKT brackets. Refer to the CSA-ARCH5-BRKT Installation Guide (Doc. 7801) at www.crestron.com for more information.

CAUTION: There is risk of personal injury and equipment damage if the shade or associated parts fall during installation. Use care when installing. Use proper mounting hardware (e.g., screws or bolts) for the mounting surface when securing the brackets.

CAUTION: Proper installation of shades requires two or more people. Large shades and medium-sized coupled shades will require three people.

NOTE: The screws provided with the mounting brackets are intended for use on walls (or jambs) with wood or metal blocking. These screws should not be used for hollow drywall or masonry installations. It is the responsibility of the installer to ensure that the mounting method is secure.

1. Ensure that the mounting points for all brackets are level and on the same plane. Use a laser level or snap a chalk line to mark the locations of the brackets. Space the brackets according to the specifications on the order form.
2. Use two screws on each side of the bracket to secure to the wall, jamb, or the inside of the pocket.



Install the Shade Bands

Install the shade bands starting with the motor shade band. Then, install the intermediate shade band(s). Finally, install the idler shade band.

After any shade band is installed, the shade band should be cycled through three open and close cycles. Carefully observe the fabric path to ensure that it does not hit any obstructions and that the fabric does not telescope. Shim the brackets or the fabric to level the shade and prevent telescoping.

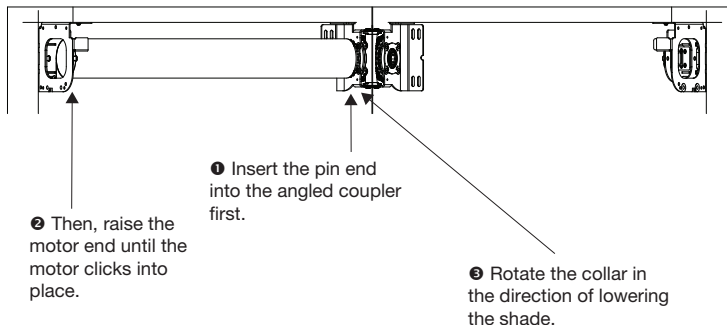
When installing coupled shades, follow this installation order:

1. Install the motor shade band.
2. Install the intermediate shade band.
3. Level the intermediate shade band.
4. Repeat steps 2 and 3 as needed for additional intermediate shade bands.
5. Install idler shade band.
6. Level idler shade band.

Install the motor shade band.

NOTE: The motor band has a motor on one end and a permanently extended pin on the other.

1. Insert the end of the motor shade band with the permanently extended pin into the first angled coupler bracket.
2. Raise the motor end and push the motor side up to engage the latch onto the posts. When the motor shade band is properly seated, the two clips spring down to secure the motor to the bracket. Ensure both posts are properly engaged and locked into place by the latch before letting go.
3. Using the spanner wrench, rotate the collar at the fixed-shaft end in the direction of lowering the shade. Rotate the collar until it can no longer rotate to ensure that it is in the lock position.
4. Cycle the motor shade band through three open and close cycles. Carefully observe the fabric path to ensure that it does not hit any obstructions and that the fabric does not telescope. Shim the brackets or the fabric to level the shade and prevent telescoping.
5. Set the upper and lower limits of the shade. The limits set for the motor band will be the limits for all additional bands. Refer to the CSM-QMTDC Programming Guide (Doc. 7437) for more information.

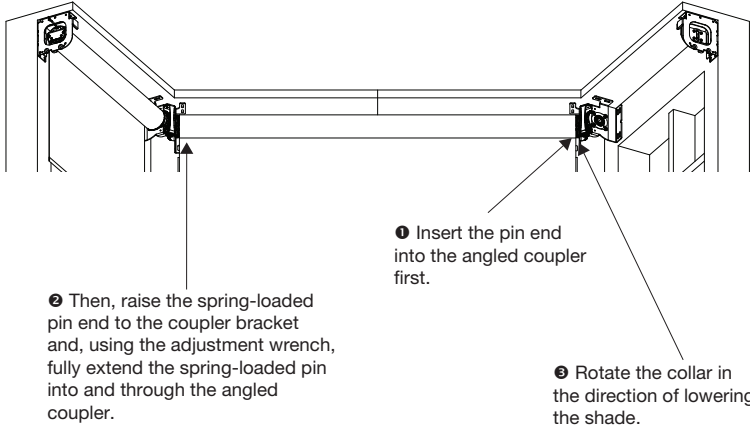


Install the intermediate shade band (optional).

NOTE: Intermediate bands have a spring-loaded pin on one end that can be extended or retracted during installation, and a permanently extended pin on the other end.

NOTE: During installation of multiple intermediate bands, remember to always mount a spring-loaded pin adjacent to a permanently extended pin. In other words, do not mount permanently extended pins adjacent to each other.

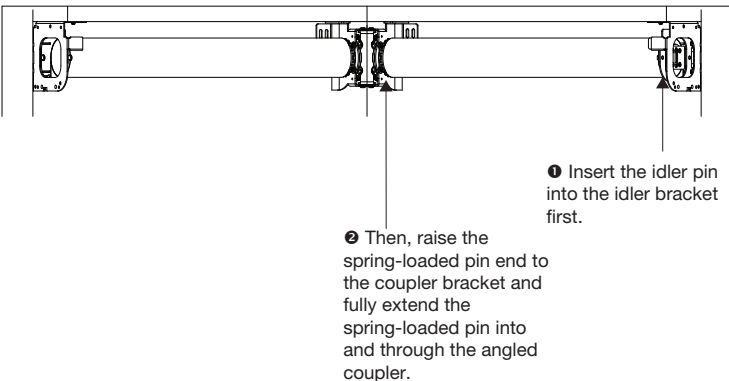
1. Insert the end of the intermediate band with the permanently extended pin into the next angled coupler bracket adjacent to the drive band.
2. Raise the other end of the band so that it is level with the angled coupler bracket. Use the spanner wrench to fully extend the spring-loaded pin into and through the angled coupler.
3. Using the spanner wrench, rotate the collar at the fixed-shaft end in the direction of lowering the shade. Rotate the collar until it can no longer rotate to ensure it is in the lock position.
4. Cycle the shade bands through three open and close cycles. Carefully observe the fabric travel to ensure that it does not hit any obstructions and that the fabric does not telescope. Shim the brackets or the fabric to level the shade and prevent telescoping.
5. Level the shade fabric, refer to "Level the Fabric" for details.
6. Repeat steps 1–4 for addition intermediate bands.



Install the idler shade band.

NOTE: Idler bands have a spring-loaded pin on one end that can be extended or retracted during installation, and an idler pin on the other end.

1. Insert the idler pin into the idler bracket.
2. Raise the other end of the band so that it is level with the angled coupler. Use the adjustment wrench to fully extend the spring-loaded pin into and through the angled coupler.
3. Cycle the shade bands through three open and close cycles. Carefully observe the fabric travel to ensure that it does not hit any obstructions and that the fabric does not telescope. Shim the brackets or the fabric to level the shade and prevent telescoping.
4. Level the shade fabric. Refer to "Level the Fabric" for details.



Level the Fabric

WARNING: Shade fabric should be leveled as each band is installed. If all the shades are installed, and the collar of any band is unlocked, all of the bands after the unlocked band are released and the fabric will rapidly drop to the floor. This can cause damage to the fabric and harm to the installer.

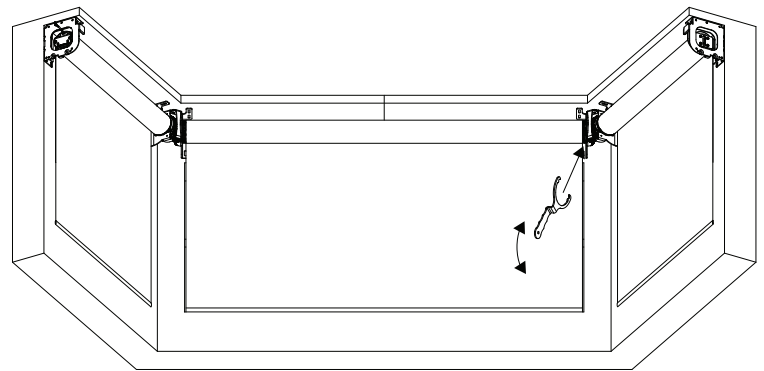
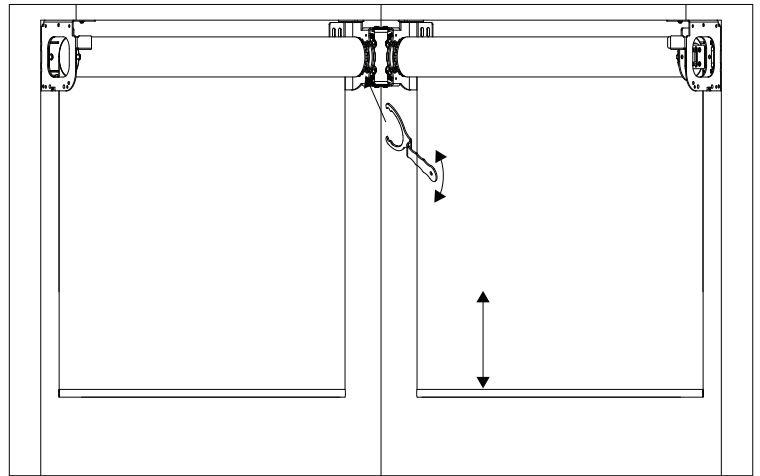
NOTE: Before leveling the fabric, run the shades through two full open and close cycles to allow for the fabric to settle on the tube.

NOTE: Leveling must be performed with the bottom of the shade fabric at eye level.

1. Fully lower the shades. The shade fabric on the drive band should be at or close to the sill level when the shades are being leveled.
2. If the drive band and next intermediate bands are not level, rotate the intermediate band to raise the fabric. The fabric should be 2 inches (26 mm) above the bottom edge of the drive band.
3. Use the spanner wrench on the drive band to rotate the collar in the direction of raising the shade. This mechanically releases the shades from each other and allows the adjacent shade to be lowered independently of the drive band.

NOTE: The adjacent roller tube must be held while the collar is being rotated. When the collar reaches the end of its travel, the fabric on the adjacent shade will unravel.

4. Once the bottoms of the fabrics are aligned, rotate the collar on the drive band in the direction of lowering the shade until it reaches a hard stop to prevent the adjacent band from unraveling further.
5. Run the shades through two full close and open cycles to allow the fabric to settle on the tube, and check that they are level. If the shades are not level, repeat steps 1–4.
6. Repeat steps 1–5 for all adjacent bands.



As of the date of manufacture, the device has been tested and found to comply with specifications for CE marking.



The product warranty can be found at www.crestron.com/warranty.

The specific patents that cover Crestron products are listed at patents.crestron.com.

Certain Crestron products contain open source software. For specific information, please visit www.crestron.com/opensource.

Crestron and the Crestron logo are either trademarks or registered trademarks of Crestron Electronics, Inc. in the United States and/or other countries. Other trademarks, registered trademarks, and trade names may be used in this document to refer to either the entities claiming the marks and

names or their products. Crestron disclaims any proprietary interest in the marks and names of others. Crestron is not responsible for errors in typography or photography.

This document was written by the Technical Publications department at Crestron.

©2017 Crestron Electronics, Inc.

Crestron Electronics, Inc.
15 Volvo Drive Rockleigh, NJ 07647
Tel: 888.CRESTRON
Fax: 201.767.7576
www.crestron.com

Installation Guide - DOC. 7507C
(2045937)
06.17

Specifications subject to change without notice.