



Description

The Crestron® Drapery System Hardware is a small track and mounting system that allows drapery to be mounted to a ceiling, to a wall, or inside a pocket. The hardware offers solutions for straight and curved track styles in either single or dual track applications.

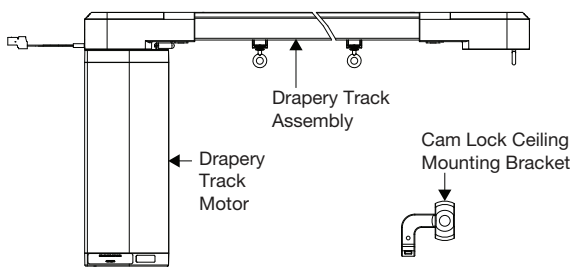
Additional Resources

Visit the product page on the Crestron website (www.crestron.com) for additional information and the latest firmware updates. Use a QR reader application on your mobile device to scan the QR image.



Contents

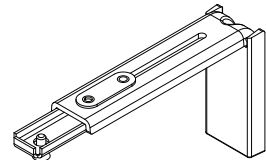
The following items are included with the Crestron drapery track assembly to ensure proper installation.



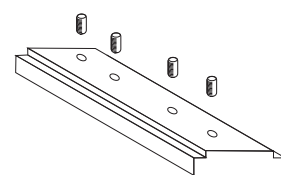
In addition to the items listed above, the following items are included, depending on order configuration, to ensure proper installation.

NOTE: The number of "L" brackets and cam lock mounting brackets included depends on the length of the drapery track. Refer to the table that follows for the number of brackets supplied.

Wall Mounting "L" Bracket with Cover*



Splice Bar and Set Screws



TRACK SIZE IN (CM)	QTY. SINGLE BRACKETS
0-36 (0-91.4)	2
>36-72 (>91.4-182.9)	3
>72-108 (>182.9-274.3)	4
>108-144 (>274.3-365.8)	5
>144-180 (>265.8-457.2)	6
>180-216 (>457.2-548.6)	7
>216-252 (>548.6-640.1)	8
>252-288 (>640.1-731.5)	9
>288-324 (>731.5-823.0)	10
>324-360 (>823.0-914.4)	11

TRACK SIZE IN (CM)	QTY. DUAL BRACKETS
0-24 (0-61.0)	2
>24-48 (>61.0-126.7)	3
>48-72 (>121.9-182.9)	4
>72-96 (>182.9-243.8)	5
>96-120 (>243.8-304.8)	6
>120-144 (>304.8-365.8)	7
>144-168 (>365.8-426.1)	8
>168-192 (>426.1-487.7)	9
>192-216 (>487.7-548.6)	10
>216-242 (>548.6-609.6)	11
>242-264 (>609.6-670.6)	12
>264-288 (>670.6-731.5)	13
>288-312 (>731.5-792.5)	14
>312-336 (>792.5-853.4)	15
>336-360 (>853.4-914.4)	16

Spliced Drapery Track Assembly (Optional)

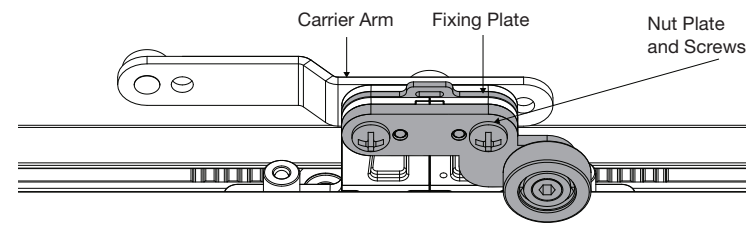
Spliced drapery tracks are assembled using the splice bar to create a continuous drapery track assembly. Ensure that the final assembled product does not have a space between the tracks.

- Carefully remove the folded drapery track from the shipping box and place it on a flat surface. Remove the securing tape.

NOTE: The carrier arm is attached to only one side of the nut plate.

- Use a Phillips screwdriver to remove the two screws holding the carrier arm, and then remove the nut plate and fixing plate. Retain all parts for reassembly.

Separate the Carrier Arm and the Nut Plate.

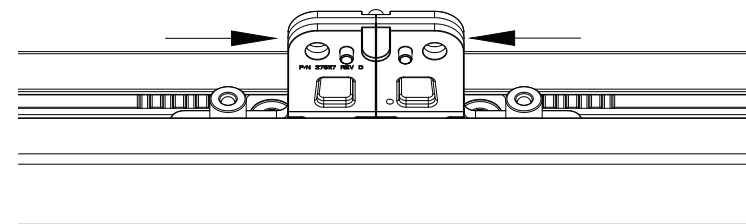


- Unfold the drapery track and carefully slide the belt into the drapery track. Align the two ends of the drapery track.

NOTE: For ripplefold assemblies, refer to "Install the Carriers" before proceeding to step 4.

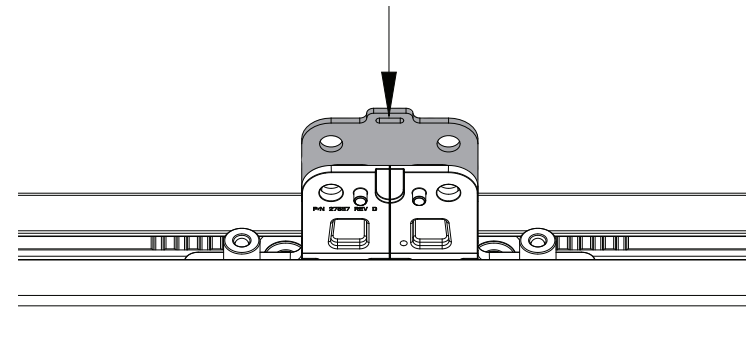
NOTE: Ensure that the belt properly sits in the drapery track and does not get pinched between the two tracks.

- Slide the separated master carrier bodies together.



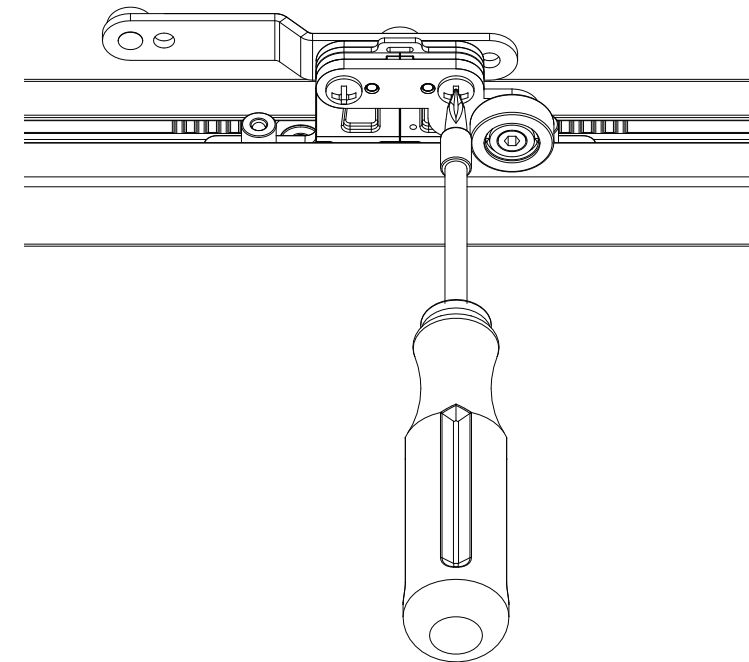
- Insert the fixing plate into the master carrier bodies.

Insert the Fixing Plate into the Master Carrier.



- Using a screwdriver and the screws that were previously removed, attach the carrier arm and nut plate.

Assemble the Carrier Arm and Nut Plate.



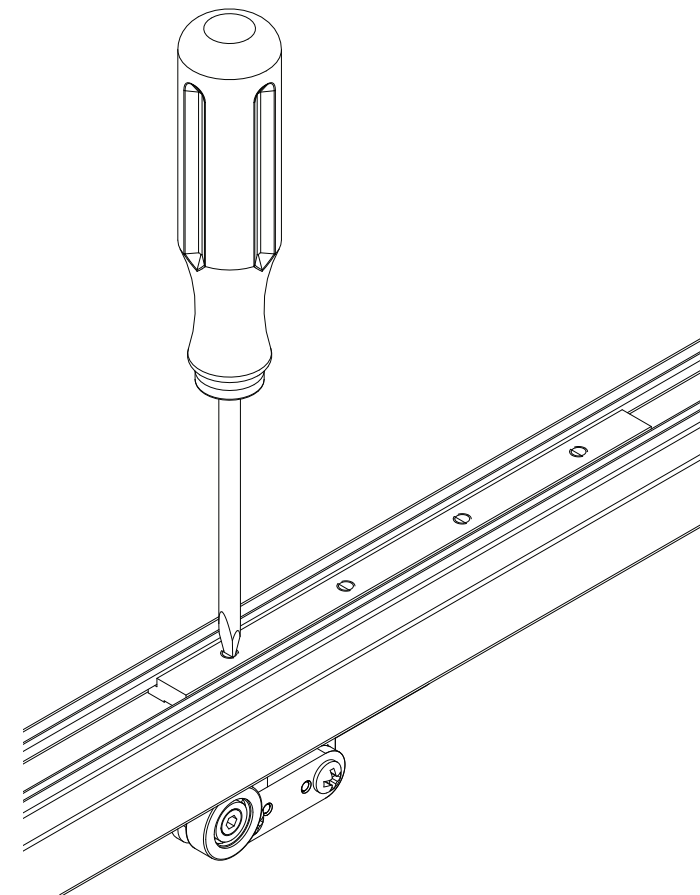
- Locate the splice bar that is installed on the top side of the track, loosen the lock screws, and slide it into position. The splice bar should be centered between the two rails.

NOTE: The splice bar is located in one side of the split drapery track rails.

NOTE: Ensure that the tracks are aligned properly, that the belt is not wedged between the tracks, and that there is no gap between the tracks.

- Tighten the screws in the splice bar using a flat-blade screwdriver to secure the drapery tracks together. Do not overtighten.

Secure the Splice Bar.



Install the Drapery Track

Use the following guidelines when installing the drapery track to the wall or ceiling.

- Installing and uninstalling the tracks should be performed by at least two people.
- The brackets at each end must be located no more than 5 inches (127 mm) from each end of the drapery track.
- If no structural member is present at each end of the drapery track, an anchor suitable for the weight of the drapery, drapery track, and motor must be used.
- Each remaining bracket should be evenly spaced across the remainder of the drapery track.
- Heavier drapery panels may require additional brackets.
- Mounts should be placed 6 to 8 inches (153 to 204 mm) away from both sides of a splice seam.
- Ceiling mounted dual tracks must be mounted at least 5-1/4 inches apart.

WARNING: Prior to initial operation, please confirm that the track is level so that the drapery fabric hangs level and plumb. Upon startup, observe the drapery fabric to ensure that it tracks properly and does not come in contact with permanently installed obstacles. Failure to follow these instructions may result in damage to the fabric, which is not covered by the warranty.

CAUTION: There is risk of personal injury and equipment damage if the drapery assembly, or associated parts, fall during installation. Use care when installing. Use proper mounting hardware (e.g., screws or bolts) for the mounting surface when securing the brackets to the surface.

NOTE: The provided screws are intended for use on walls or jambs with wood or metal blocking. Screws should not be used for hollow drywall or masonry installations. The installer must ensure a secure mounting method.

Ceiling Mounting

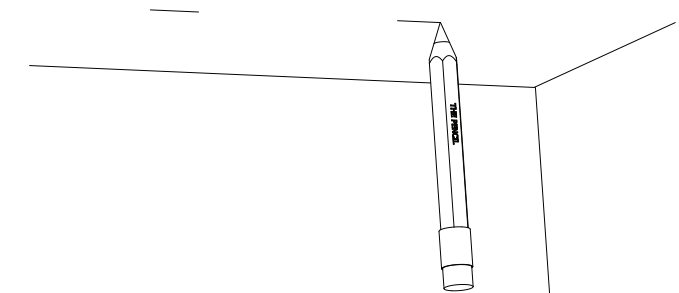
The drapery track is mounted to the ceiling using the cam lock mounting brackets, which have a handle that rotates to secure the track to the ceiling.

NOTE: The drapery track can also be mounted to a ceiling using the provided 1-1/2 in. #8-18, Steel pan head metal drilling screw.

Install the drapery track to the ceiling using the appropriate cam lock mounting brackets or screwing the track directly to the ceiling.

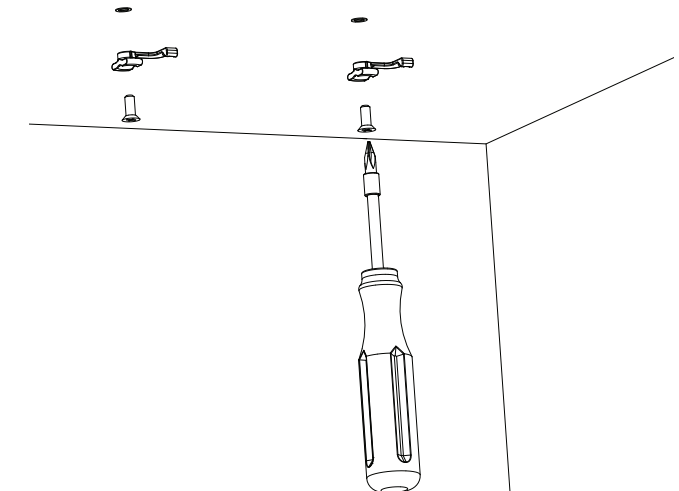
- Hold the drapery track in the approximate mounting location, and check for proper fit. Ensure that the mounting points are straight and level, and mark the locations of the brackets. If the tracks are too large to maneuver into position, reconfirm measurements in the mounting location, then remeasure the track to ensure that it was correctly manufactured. Measure and mark the cam lock mounting bracket locations.

Mark the Cam Lock Mounting Bracket's Mounting Location.



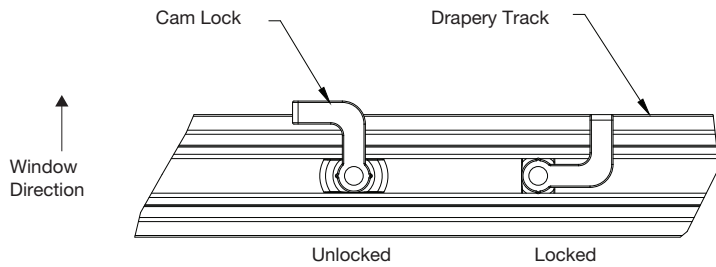
- Fasten the brackets using hardware appropriate for the mounting surface.

Mount the Brackets.

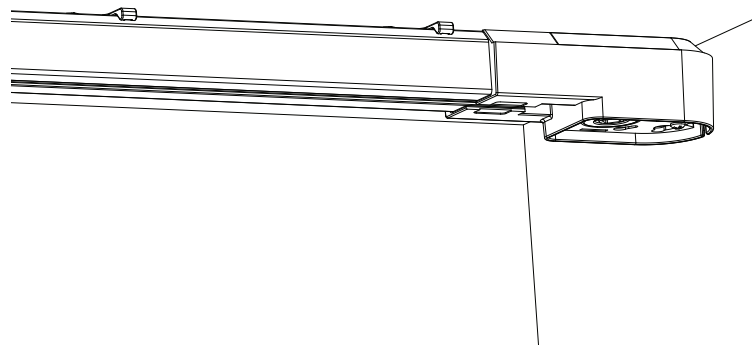


3. Attach the drapery track to the brackets.
 - a. Ensure that the cam block mounting brackets are aligned so that the latching arm faces the direction of the window.
 - b. Press the drapery track rail into the cam lock mounting bracket.
 - b. Rotate the brackets 90 degrees to lock the track in place. The tab closes on the back (window side) of the track.

Operate the Cam Lock Mounting Brackets (View from Above the Track).



Mount the Drapery Track.



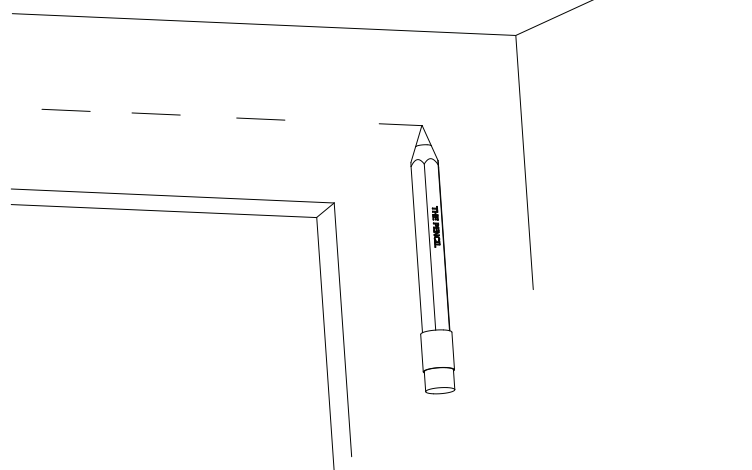
NOTE: To remove the drapery track rail from the cam lock mounting brackets, first remove the motor by unlocking and pulling it gently away from the tracks to separate it from the pulley. Hold the drapery track rail and rotate the cam lock mounting brackets 90 degrees. The drapery track rail releases from the cam lock mounting brackets. A relief is integrated into the handle of the cam lock mounting bracket that allows a small flat blade screwdriver to pry the cam lock mounting bracket open.

Wall Mounting

The drapery track can be mounted to a wall using adjustable "L" shaped mounting brackets. The drapery track attaches to the "L" brackets using the cam lock mounting brackets.

1. Hold the drapery track in the approximate mounting location, and check for proper fit. Ensure that the mounting points are straight and level, and mark the locations of the brackets. If the tracks are too large to maneuver into position, re-confirm measurements in the mounting location, then re-measure the track to ensure it was correctly manufactured. Measure and mark the cam lock mounting bracket locations.

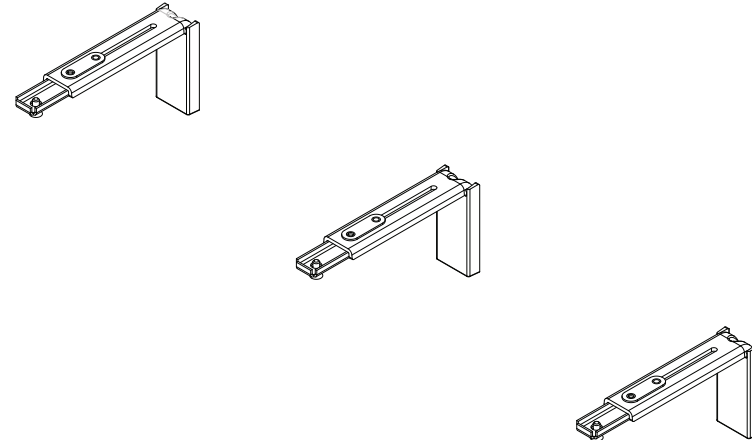
Mark the "L" Bracket's Mounting Location.



2. Fasten the "L" brackets using hardware appropriate for the mounting surface.

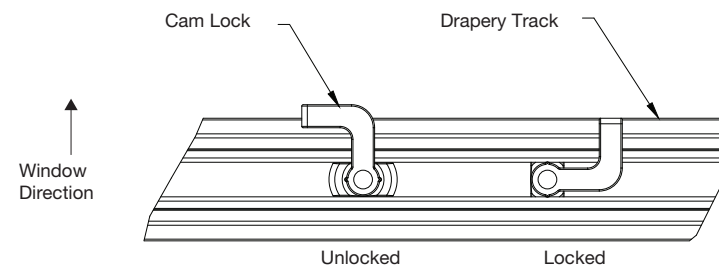
NOTE: Slots in the "L" brackets allow leveling of the brackets after they have been mounted.

Mount the "L" Brackets.



3. Remove the screw(s) from the end of the "L" brackets, and reuse them to attach the cam lock mounting brackets to the "L" brackets. Repeat this for all supplied "L" brackets.
4. Attach the bracket covers to the leg of the bracket that is mounted to the wall by sliding it from the bottom up. Ensure that the bracket covers are fully pressed into place.
5. Attach the drapery track to the brackets.
 - a. Ensure that the cam block mounting brackets are aligned so that the latching arm faces the direction of the window.
 - b. Press the drapery track rail into the cam lock mounting bracket.
 - b. Rotate the brackets 90 degrees to lock the track in place. The tab closes on the back (window side) of the track.

Operate the Cam Lock Mounting Brackets (View from Above the Track, "L" Brackets Removed for Clarity).

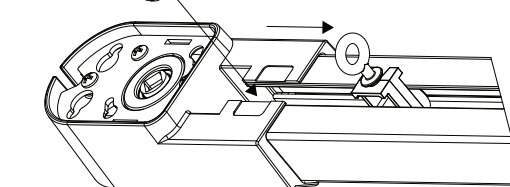


Install the Carriers

The carriers should be placed into the drapery track before the motor side bumper is installed. Insert the carriers on the motor side of the track. Make sure that the slot on the side of the carriers faces the room when the drapery track assembly is installed. This allows the carriers to be easily held in place.

NOTE: For split track, ripplefold installations, the carriers must be installed while the master carrier is disassembled and removed from the track. The plastic disc snaps into the slot of the master carrier that is on the motor side of the track, and then the master carrier is inserted back into the track. Tie the string after the last carrier to the bumper on the idler end of the track.

After all carriers are installed, install the bumper on the motor side of the track.



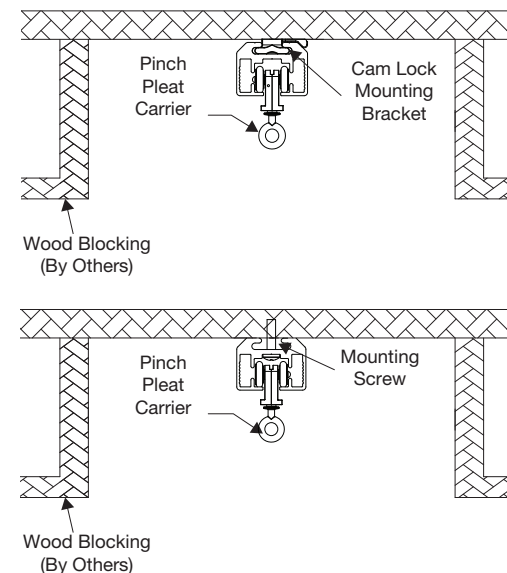
Pocket Mounting (Optional)

The drapery track can be pocket mounted (pocket not supplied) to conceal the motor, rail, and other hardware. After a pocket has been constructed, follow the instructions in "Ceiling Mount."

The following illustration is for guidance only. It is the responsibility of the installer to ensure that the pocket can accommodate the drapery track assembly and fabric.

NOTE: Actual spacing may vary depending on the selected pleating system and drapery fabrics.

Pocket Mount the Track Using the Cam Lock Mounting Brackets.

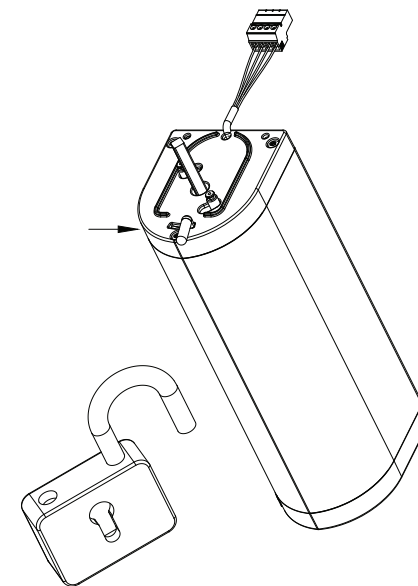


Install the Motor

The QMT[®] drapery track motor must be attached to the drive pulley before operation. The motor attaches to the drive pulley at the end of the drapery track rail. To attach to the motor, complete the following procedure.

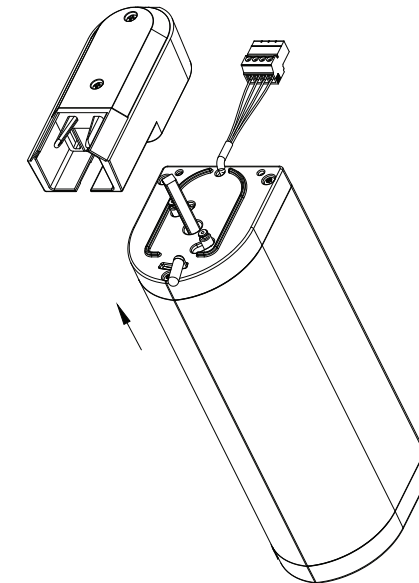
1. Unlock the motor by pressing and holding the spring lever on the top of the motor as shown below.

Unlock the Motor Assembly Before Installation.



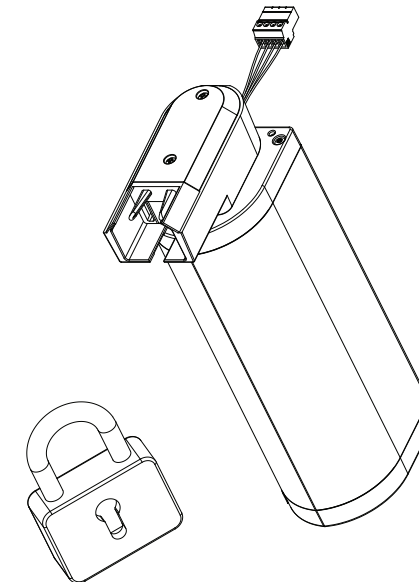
2. Continue to hold the lever, and insert the motor shaft into the drive pulley hole.

Install the Motor into the Drive Pulley.



3. Lock the motor by releasing the lever on the top of the motor. Ensure the motor is fully locked in place and snug against the drive pulley.

Lock the Motor Assembly to the Drive Pulley.



Wiring

Connect the motor to Cresnet[®] network cable using the connector on the motor pigtail. Ensure that the wire that exits from the drapery motor rests in the slot in the drapery track and is not pinched.

Programming and Setup

Before the drapery track can be operated, the device must be programmed and set up. For information on programming and setup of this device, refer to the Crestron Drapery Track Programming and Setup Guide (Doc. 7378) at www.crestron.com/manuals.

The product warranty can be found at www.crestron.com/warranty.

The specific patents that cover Crestron products are listed at patents.crestron.com.

Certain Crestron products contain open source software. For specific information, please visit www.crestron.com/opensource.

Crestron, the Crestron logo, Cresnet, Crestron Toolbox, and infiNET EX are either trademarks or registered trademarks of Crestron Electronics, Inc. in the United States and/or other countries. Other trademarks, registered trademarks, and trade names may be used in this document to refer to either

the entities claiming the marks and names of their products. Crestron disclaims any proprietary interest in the marks and names of others. Crestron is not responsible for errors in typography or photography.

This document was written by the Technical Publications department at Crestron.

©2015 Crestron Electronics, Inc.

Crestron Electronics, Inc.
15 Volvo Drive Rockleigh, NJ 07647
Tel: 888.CRESTRON
Fax: 201.767.7576
www.crestron.com

Installation Guide - DOC. 7834A
(2045126)
10.15
Specifications subject to
change without notice.