

# Crestron DTT-18

## 18" DualTouch™ Technology Touchpanel



The DTT-18 is an 18" touchpanel designed specifically for use with the UPX-2 Universal Presentation System to support all of the control capabilities of a Crestron touchpanel, plus pen-based annotation and computer-based multimedia presentation.

**DualTouch™ Technology**—This Crestron exclusive combines fingertip operated touchpanel control with a precision drawing tablet to produce an amazingly flexible presentation solution. Crestron DualTouch Technology touchpanels employ a brilliant combination of analog resistive touch sensing for fingertip-operated touchpanel control and exclusive Wacom® pen-based technology for precise drawing and annotation.

DualTouch Technology allows the presenter to touch the screen with a fingertip to control AV and lighting functions, and then on-the-fly annotate freely over video and graphic presentation sources using the wireless pen provided. Switching between modes is automatic and instantaneous, disabling the analog membrane whenever the pen is sensed allowing the palm of the hand to be rested naturally on the screen while drawing.

**Rotating Stand**—The DTT-18's adjustable stand allows the display to be tilted between 13 and 70 degrees and rotated up to 180 degrees to provide a very natural feeling user interface optimized for truly professional annotation results.

- > *The ultimate presenter's interface*
- > *Provides the perfect front end for Crestron's UPX-2 Universal Presentation System processor*
- > *DualTouch Technology facilitates switching between touchpanel control and pen-based annotation*
- > *Allows more natural drawing capability than ordinary touchpanels*
- > *18.1" LCD color touchscreen*
- > *1280 x 1024 SXGA resolution*
- > *Ergonomic design featuring tilt stand with up to 180 degree rotation*
- > *Includes wireless pen, pen base, and power supply*

## SPECIFICATIONS

### Touchscreen Display

**Display:** Active matrix color LCD  
**LCD Screen Size:** 18.1 inch (45.97 cm) diagonal  
**LCD Active Area:** 14.1 in x 11.3 in  
**Resolution:** 1280 x 1024 pixels (SXGA)  
**Color Depth:** 16,777,216 (24 bit)  
**Contrast Ratio:** 300:1  
**Brightness (cd/m2):** 180 nits  
**Viewing Angle:** ±80° horizontal, ±80° vertical  
**Touchscreen:** Resistive membrane

### Pen

**Pen Pressure:** 512 levels  
**Pen Switches:** Eraser and side switch (functions undefined at this time)  
**Coordinate Accuracy Center:** ±0.02 in  
**Reading Height:** 0.2 in (0.5 cm)  
**Report Rate:** 205 points per second

### Connectors (via integral breakout cable)

**DVI-I:** (1) 29-pin DVI-I male, inline  
RGB (VGA) or DVI video inputs  
Connects to RGB Output A of UPX-2 using DB15HD VGA adapter (included)

**USB:** (1) USB A female, inline  
USB 2.0 port  
Connects to any USB port on UPX-2

**10101:** (1) DB9 female, inline  
Bidirectional RS-232 port  
Not used with UPX-2

**DC IN:** (1) 4-pin inline connector  
Connects to power supply, included

### Controls

**DVI/VGA:** (1) Slide switch on top rear panel, selects input type  
**Display Controls:** (4) Pushbuttons on top rear panel, navigate onscreen setup menu  
**Power:** (1) Pushbutton turns unit on

### LED Indicators

**Status:** (1) indicates sensing of annotation pen  
**Power:** (1) dual-color, indicates power status and presence of video

### Power Requirements

72 watts (4 Amps @ 18 Volts DC) - Power supply included

### Environmental

**Temperature:** 41° to 95°F (5° to 35°C)  
**Humidity:** 20% to 80% RH (non-condensing)

### Enclosure

**Construction:** High impact black injection-molded case with adjustable tabletop tilt stand  
**Screen Tilt:** Adjustable 13 to 70 degrees  
**Display Rotation:** ±180 degrees

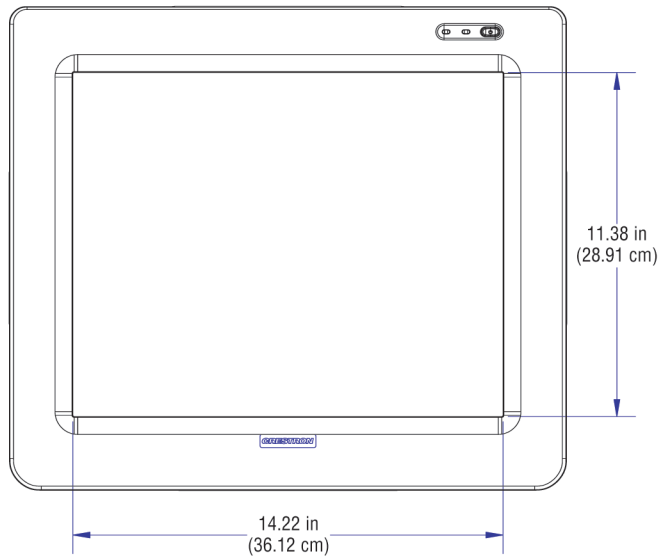
### Dimensions

(without stand)  
**Height:** 16.01 in (40.67 cm)  
**Width:** 18.43 in (46.81 cm)  
**Depth:** 2.88 in (7.32 cm)

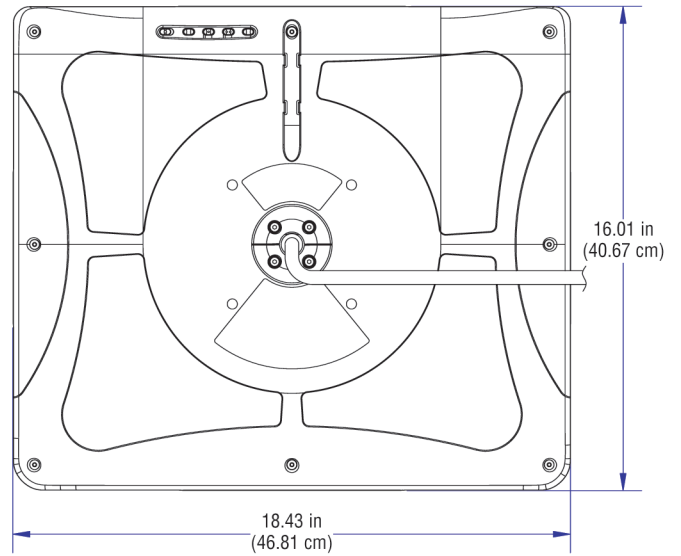
### Weight

17.0 lbs (7.71 kg) – excluding stand

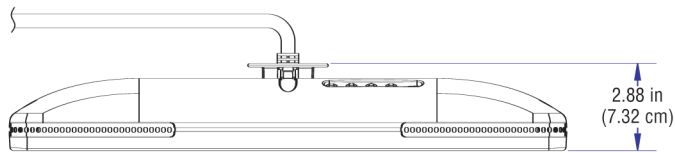
# Crestron DTT-18 18" DualTouch™ Technology Touchpanel



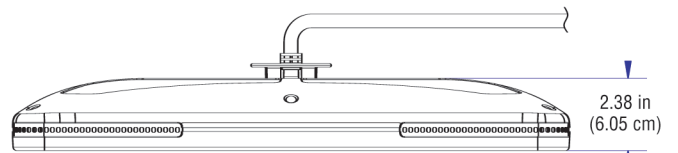
Front View



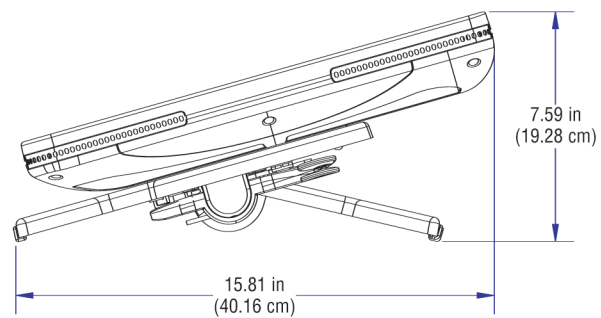
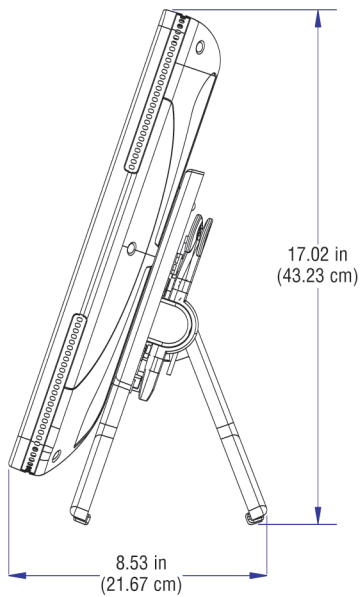
Rear View



Top View



Bottom View



Side View (with Adjustable Stand)