

Crestron IM-WCCV-S

MediaManager

iMedia Wall Plate Computer & Video Center

with Separate Control Panel

- > A flexible, affordable wall plate multimedia interface
- > Separate interface and control panels
- > Streamlined user controls for foolproof operation
- > iMedia Transport for fast and easy single-cable installation
- > Supports XGA resolution up to 84 feet, UXGA maximum up to 34 feet
- > Supports composite video signals
- > Complete system setup in minutes using iMedia Wizard Software

Crestron's iMedia provides an extremely simple and affordable multimedia presentation solution for small conference rooms and training rooms. No comparable solution comes close to matching iMedia's speed and ease of installation, intuitive operation, and incredibly low cost.

The iMedia Transport—The iMedia transport utilizes a single CAT5e* type cable to transmit computer RGB, video, and stereo audio signals to a single projector or plasma display. A typical XGA signal (1024 X 768 pixels at 60Hz) can be transmitted up to 84 feet using iMedia, while higher resolutions up to 1600 x 1200 can be handled over shorter distances. Audio is transmitted digitally at 20-bit, 48 kHz resolution. Control and power signals are also contained on the same wire, eliminating the need for separate control or power cables.

2-Piece Wall Plate Multimedia Interface—The IM-WCCV-S is an iMedia (IM) transmitter featuring separate wall plates for interface and control. The interface panel (IM-WCVI) is designed to install in a standard 2-gang electrical box, providing video, RGB, and stereo audio inputs for connection to the output of a computer or AV source. The control panel (IM-WCVP) is a separate 1-gang wall plate, which may be installed up to 40 feet from the interface panel.

Installing wiring for the IM-WCCV-S is extremely simple using CresCAT-IM cable. Up to three IM-WCCV-S's, or other IM transmitters, may be installed as part of a complete system to provide multiple input locations within the room.

Foolproof Operation—Every iMedia system is easy and intuitive to use. A simple press of the VIDEO or PC buttons on the control panel selects the appropriate input, turns on the projector (or plasma, etc.), lowers the screen or lift, and routes all the signals where they need to go. The volume control affords easy adjustment of the audio level, and the entire system can be turned off at any time by simply holding down either button for 5 seconds.

For systems having more than one IM transmitter, selecting an input at a given input location overrides the previously selected input at any other location. The audio level for each input location is controlled individually by its respective volume control.

SPECIFICATIONS

RGB

Gain: 0dB (75 ohm termination)

Formats: RGBHV, RGBS, or RG_SB

Resolution: 1024 x 768 @ 60Hz with maximum cable length of 84 feet, 1600 x 1200 @ 60Hz with maximum cable length of 34 feet; see manual for other resolutions



Video

Gain: 0dB (75 ohm termination)

Formats: 480i (NTSC), 576i (PAL)

Audio

A-D Conversion: 20-bit, 48 kHz

Frequency Response: 20Hz to 20kHz \pm 1dB

Connectors - IM-WCVI Front Panel

VIDEO: (1) RCA female, composite video input

Input Impedance: 75 ohms

Maximum Input: 1 V_{p-p}

AUDIO: (2) RCA female, unbalanced stereo line-level audio input (linked with VIDEO)

Maximum Input Level: 2 V_{RMS}

Input Impedance: 10k ohms

PC: (1) DB15HD female, RGB(VGA) input

Formats: RGBHV, RGBS, RG_SB

Input Impedance: 75 ohms

Sync Impedance: 1k ohms

Maximum Input Level: 1 V_{p-p}

Maximum Sync Level: 5 V_{p-p}

AUDIO: (1) 3.5mm TRS mini phone jack

Unbalanced stereo line-level audio input (linked with PC)

Maximum Input Level: 2 V_{RMS}

Input Impedance: 10k ohms

Connectors - IM-WCVI Rear Panel

TO IM-RXV: (1) 8-wire RJ45 female, iMedia output port

Connects to IM input port of an iMedia receiver via CresCAT-IM cable*

TO IM-WCVP: (1) 8-wire RJ45 female

Connects to IM-WCVP Control Panel via CresCAT-IM cable*

Maximum Cable Length: 40 ft (12.2 m)

Ground: (1) flying lead, green, chassis ground wire

Connectors - IM-WCVP Rear Panel

TO IM-WCVI: (1) 8-wire RJ45 female

Connects to IM-WCVI Interface Panel via CresCAT-IM cable*

Maximum Cable Length: 40 ft (12.2 m)

Ground: (1) flying lead, green, chassis ground wire

Controls & LED Indicators - IM-WCVP Front Panel

PC: (1) Momentary pushbutton with green LED

Momentary press initiates "system power on" command and selects local PC input; press and hold for 5 seconds or more initiates "system power off"

VIDEO: (1) Momentary pushbutton with green LED
Momentary press initiates "system power on" command and selects local VIDEO input; press and hold for 5 seconds or more initiates "system power off"

VOLUME: (1) Rotary knob, adjusts audio level for active local input

Power Requirements

Power is provided by the IM receiver via the IM transport

Environmental

Temperature: 41° to 104°F (5° to 40°C)

Humidity: 10% to 90% RH (non-condensing)

Enclosure

IM-WCVI: 2-gang wall plate, mountable in a 2.5 in (6.35 cm) deep electrical box

IM-WCVP: 1-gang wall plate, mountable in a 2.5 in (6.35 cm) deep electrical box

Dimensions - IM-WCVI

Height: 4.50 in (11.43 cm)

Width: 4.56 in (11.58 cm)

Depth: 2.73 in (6.93 cm)

Dimensions - IM-WCVP

Height: 4.50 in (11.43 cm)

Width: 2.75 in (6.99 cm)

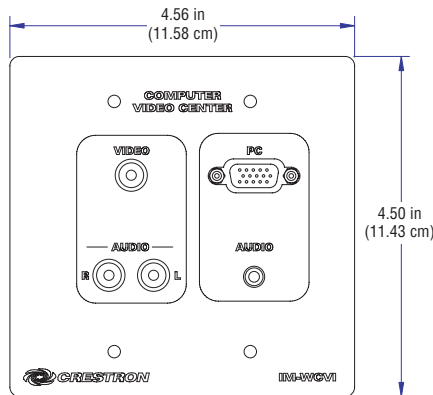
Depth: 2.70 in (6.86 cm)

Weight

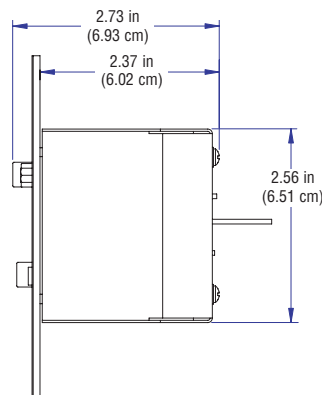
IM-WCVI: 0.92 lb (0.42 kg)

IM-WCVP: 0.39 lb (0.18 kg)

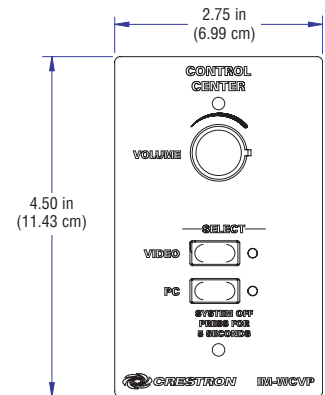
* For iMedia use CresCAT-IM cable, or quality CAT5e/CAT6 cable having a maximum delay skew of 15nS per 100m.



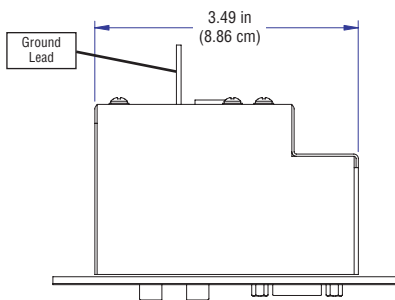
IM-WCVI - Front View



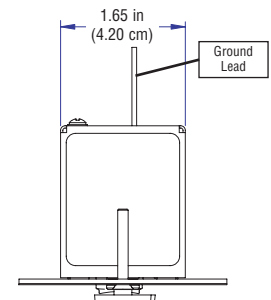
IM-WCVI - Right Side View



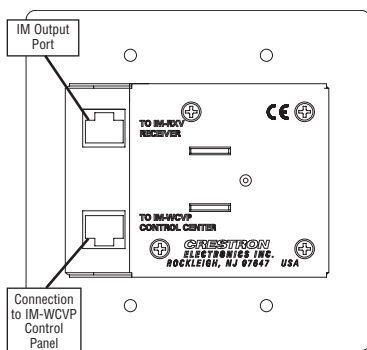
IM-WCVP - Front View



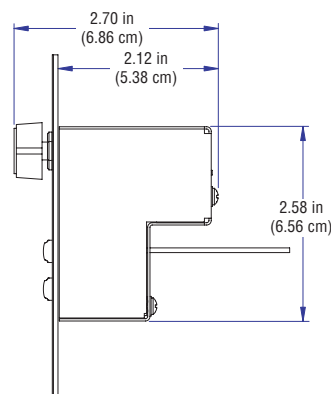
IM-WCVI - Top View



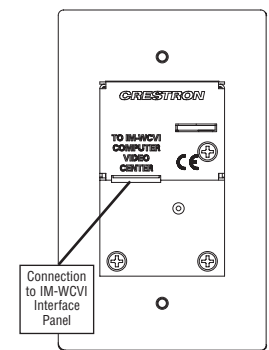
IM-WCVP - Top View



IM-WCVI - Rear View



IM-WCVP - Right Side View



IM-WCVP - Rear View