

# DM-RX1-1G & DM-TX1-1G

## DigitalMedia™ CAT Receiver and Transmitter

### 1 Rear Connections

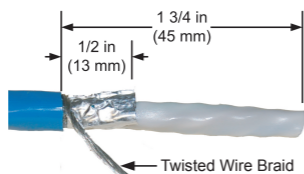
Rear connections for video, data management, control and power as described here are via DigitalMedia™ Cable (DM-CBL-P) which has been fed through an installed 1-gang electrical box (not supplied). Refer to the illustrations below and do the following:

1. Confirm that DMNet® system power is OFF.
2. Strip 3 inches (77 mm) of the DigitalMedia Cable to expose the three inner cables.

**NOTE:** For the "D" and "M" cables, do not allow the twisted pairs to untwist for more than 1/2 inch (13 mm).

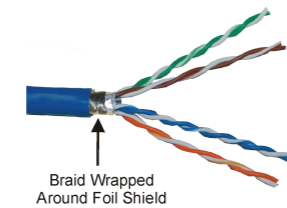
**NOTE:** Maintain equal wire lengths within 1/8 inch (3 mm).

3. Strip the outer jacket of the blue "D" cable 1 3/4 inch (45 mm) from the end. Gather and twist the braid.



4. Trim the foil shield to 1/2 inch (13 mm). Refer to the illustration to the right.

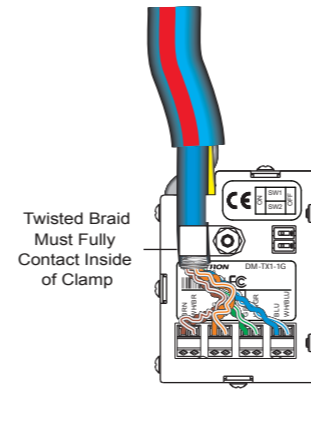
5. Remove the white neoprene sheath and separate the twisted pairs to expose the spline. Cut the spline so it is nearly flush with the foil shield. Return twisted pairs to their original position.



6. Neatly wrap the twisted braid around the foil shield. Only the silver side of the foil shield is conductive. Refer to the illustration to the right.

**NOTE:** Braid should wind neatly around foil shield. Loose braid may cause shorts.

7. Strip the insulation from the ends of each wire, exposing approximately 3/16 inch (5 mm) of bare copper.
8. Using an adjustable wrench, clamp the prepared cable to the unit as shown in the following diagram.



9. Strip the outer jacket of the yellow "M" cable approximately 2 inches (51 mm) from the end, and strip the insulation from the ends of each wire, exposing approximately 3/16 inch (5 mm) of bare copper.
10. Strip the outer jacket of the gray DMNet cable approximately 1 inch (26 mm) from the end, and strip the insulation from the ends of each wire, exposing approximately 3/16 inch (5 mm) of bare copper.

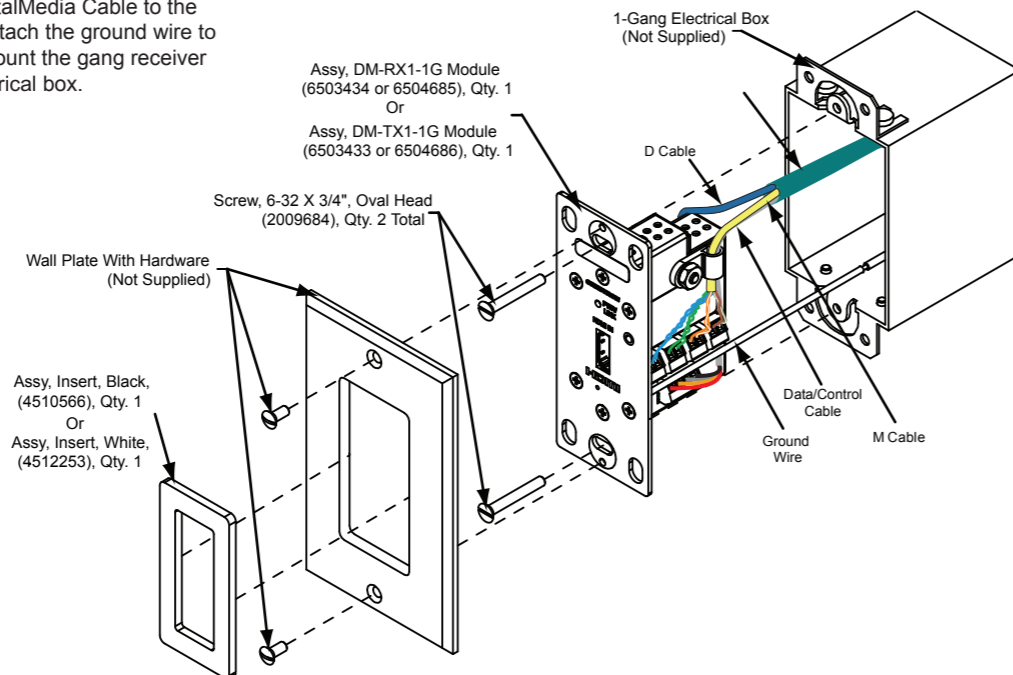
11. Route the yellow and gray cables to the other side of the unit and clamp the prepared cables together to the unit using the supplied clamp and nut.
12. Using a miniature flat head screwdriver (not supplied), make the connections as specified, using the labels on the unit as a guide.
  - a. Insert the twisted pairs of the gray DMNet cable into the **G B A 24** terminal block as shown in the table to the right, and tighten each screw base.
  - b. Insert the twisted pairs of the blue "D" cable into the **D** terminal block and tighten each screw base. Refer to the label above the terminal block for wire locations.
  - c. Insert the twisted pairs of the yellow "M" cable into the **M** terminal block and tighten each screw base. Refer to the label above the terminal block for wire locations.
13. Remove the pre-cut insulation from the grounding wire and connect it to the electrical box or a ground wire in the electrical box (the electrical box must be earth grounded).
14. On the DM-TX1-1G module, set the DIP switches to reflect the installed cable type and the desired mode. Refer to the following table. For additional information, refer to the latest version of the DM-TX1-1G DigitalMedia CAT Transmitter Operations & Installation Guide (Doc. 6849) available from the Crestron Web site ([www.crestron.com/manuals](http://www.crestron.com/manuals)).

G	Black & Ground
B	Gray
A	Orange
24	Red

	SW1	SW2
DM-CBL DigitalMedia Cable (DMNet Master mode)	OFF	OFF
Video inactive (DMNet Slave mode)	ON	ON
Reserved for factory use only	ON	OFF
	OFF	ON

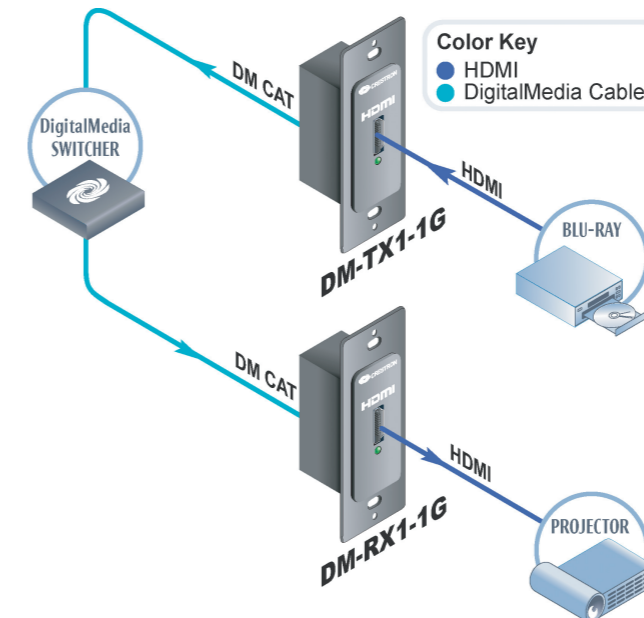
### 2 Mounting

After connecting the DigitalMedia Cable to the rear panel connectors, attach the ground wire to the electrical box, and mount the gang receiver or transmitter in the electrical box.



### 3 Front Panel Connections

The illustration below provides a basic application for the DigitalMedia CAT Receiver and Transmitter.



Crestron, the Crestron logo, DigitalMedia, and DMNet are trademarks or registered trademarks of Crestron Electronics, Inc. in the United States and other countries. Other trademarks and trade names may be used in this document to refer to either the entities claiming the marks and names or their products. Crestron disclaims proprietary interest in the marks and names of others.  
©2011 Crestron Electronics, Inc.

For details, refer to the latest version of the **DM-RX1-1G** and **DM-TX1-1G** DigitalMedia™ CAT Receiver and Transmitter Operations & Installation Guides, Doc. 6969 and Doc. 6849.

**QUICKSTART DOC. 6935B (2027065) 05.11**

[www.crestron.com](http://www.crestron.com) | 888.273.7876 | 201.767.3400

Specifications subject to change without notice.

