

Introduction

Crestron® GLEX-FT-8 and GLEX-FT-8-HC Green Light Express® enclosures are wall-mounted metal enclosures that house Crestron switching modules (GLXX-SW series), high-inrush switching modules (GLXP-HSW-8-LP) and heavy duty switching modules (GLXX-HDSW) (all sold separately).

The GLEX-FT-8 has a standard cover that is opened by removing the four Phillips screws on the front of the device. The GLEX-FT-8-HC has a hinged cover that swings open after two Phillips screws are removed from the front of the device.

Functional Summary

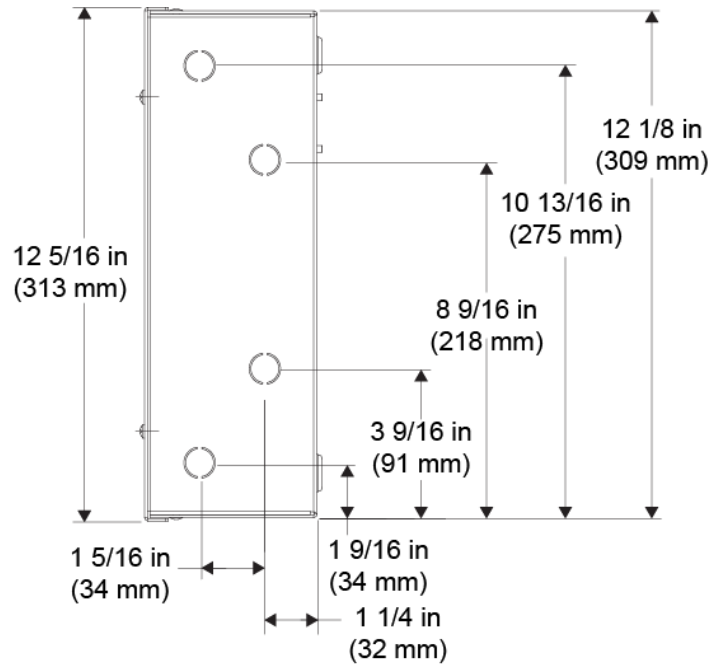
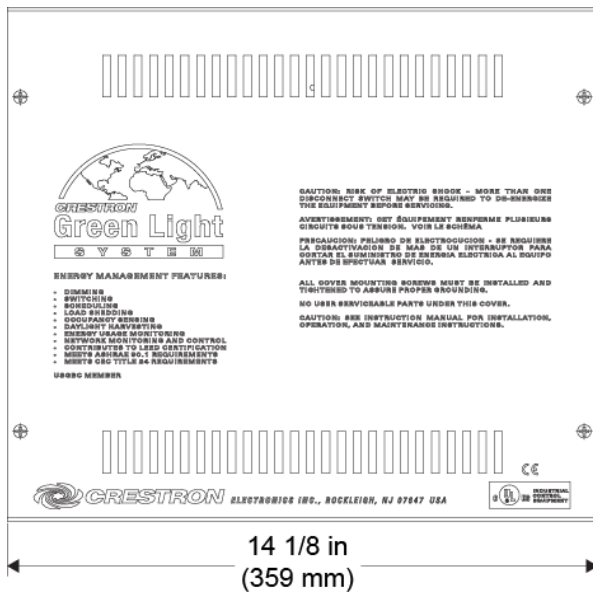
- 120 or 277 volt dimming and switching
- 8 circuits per cabinet
- Feed-thru type panels
- Field-replaceable lighting modules
- System design by Crestron
- Factory assembled and tested
- UL924 listed (emergency power equipment)

Regulatory Compliance

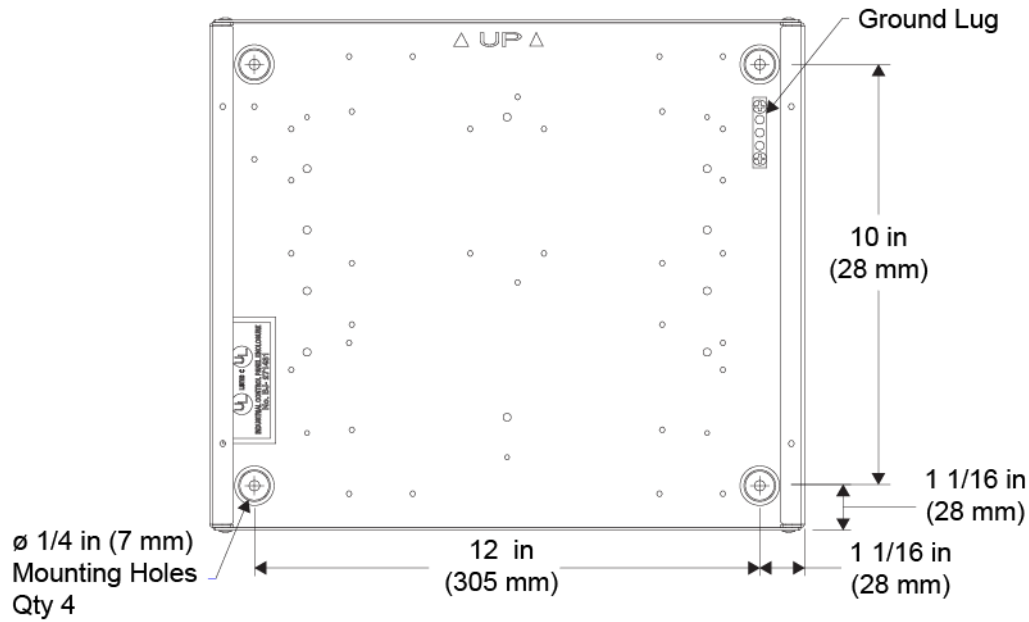
This product is Listed to applicable UL Standards and requirements by Underwriters Laboratories Inc.



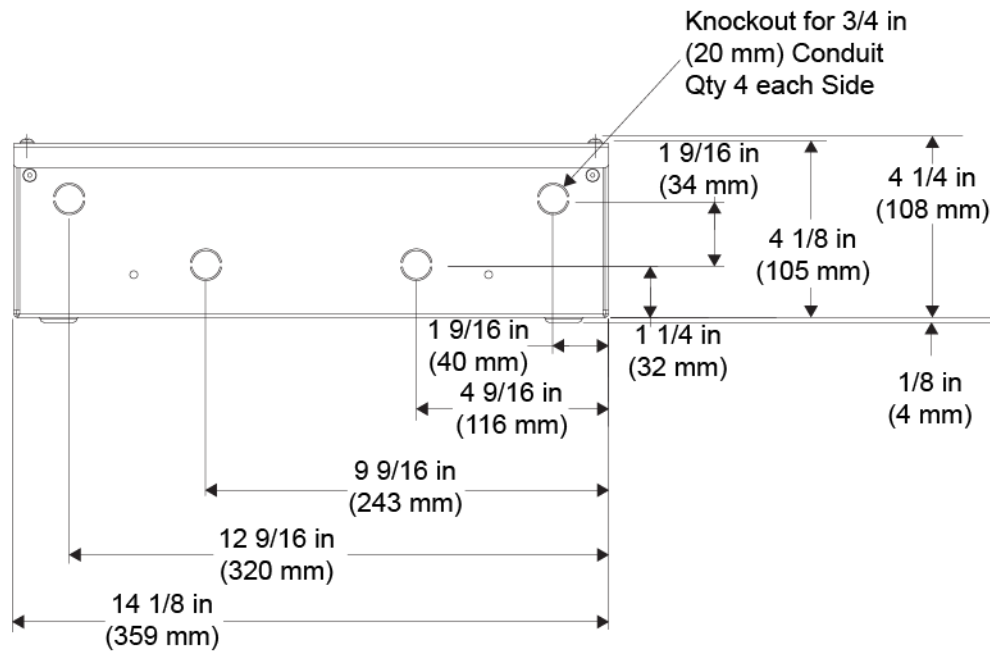
GLEX-FT-8 Overall Dimensions (Front and Side View)



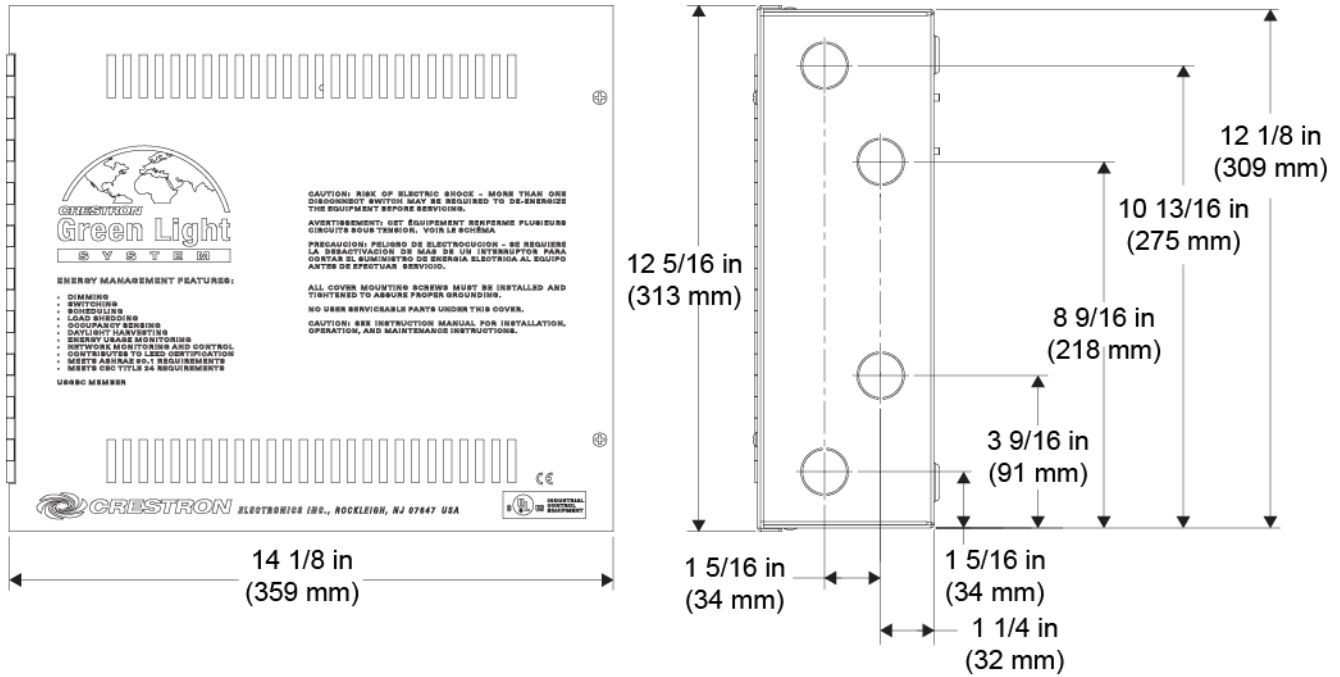
GLEX-FT-8 Overall Dimensions (Inside View)



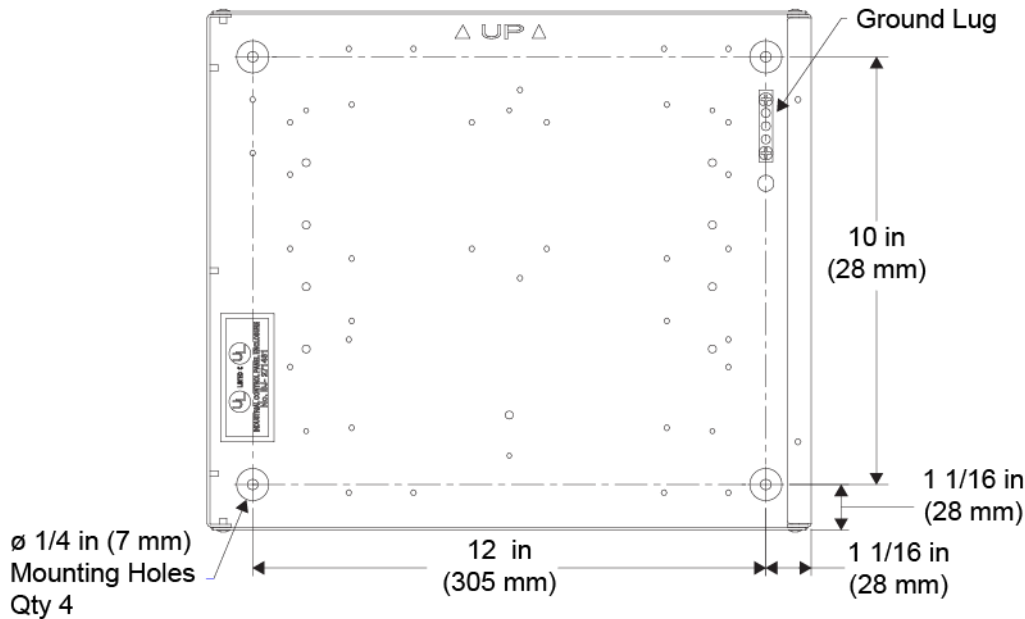
GLEX-FT-8 Overall Dimensions (Bottom View)



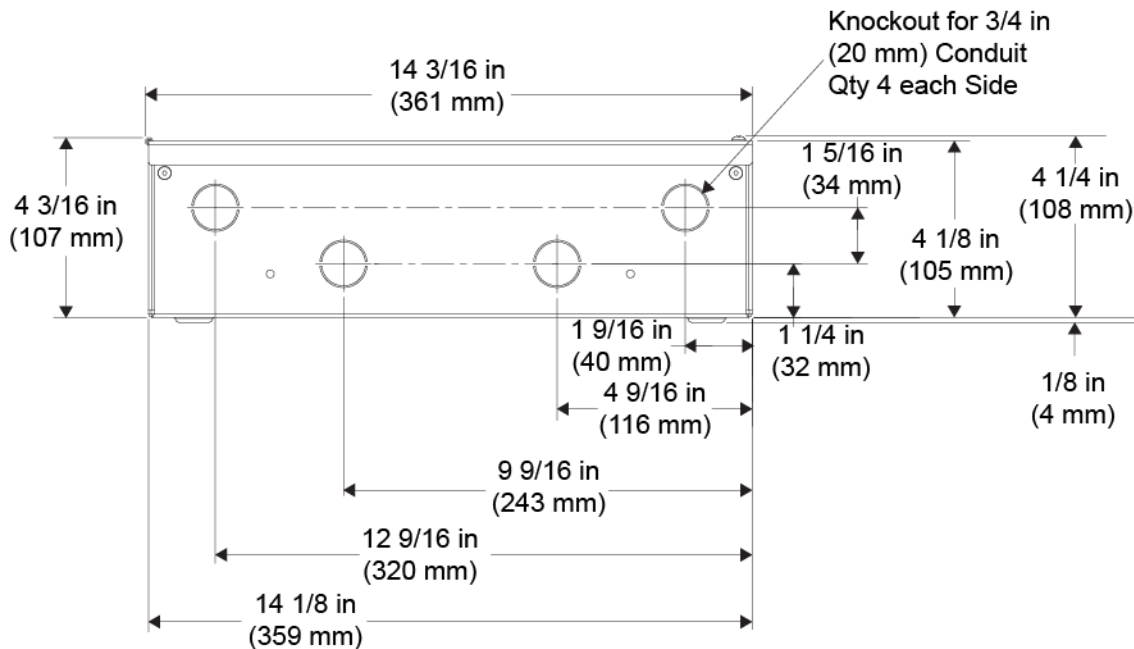
GLEX-FT-8-HC Overall Dimensions (Front and Side View)



GLEX-FT-8-HC Overall Dimensions (Inside View)



GLEX-FT-8-HC Overall Dimensions (Bottom View)



Installation

The enclosure must be mounted by a licensed electrician in accordance with all national and local codes.

Modules must be mounted using the column of screw holes shown in the “Mounting Detail” diagram.

CAUTION: These enclosures house equipment that needs to be air-cooled. Therefore, mount in a well-ventilated area. The ambient temperature range should be 32°F to 104°F (0°C to 40°C). The relative humidity should range from 0% to 90% (non-condensing). Furthermore, allow adequate clearance in front of the vented cover for servicing and ventilation.

NOTE: Unless otherwise indicated, the lighting system specified in this guide is modular, requiring assembly in the field by a licensed electrician, in accordance with all national and local codes.

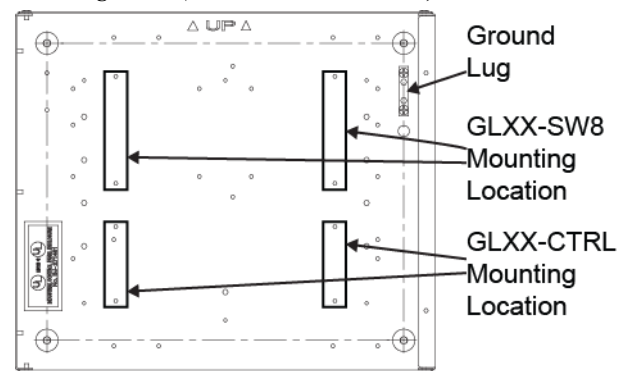
If you require a UL Listed panel, Crestron offers this service through its UL Listed panel shop. This includes complete in factory system configuration and assembly by Crestron for an additional fee.

NOTE: Install modules into the lowest available spaces and continue toward the top of the enclosure.

NOTE: Enclosures are intended for indoor use only.

NOTE: When flush mounting, 5/8” drywall is preferred.

Mounting Detail (GLEX-FT-8-HC Shown)



Further Inquiries

If you cannot locate specific information or have questions after reviewing this guide, please take advantage of Crestron's award winning customer service team by calling Crestron at 1-888-CRESTRON [1-888-273-7876]. For assistance in your region, please refer to the Crestron Web site (www.crestron.com/offices) for a listing of Crestron worldwide offices.

You can also log onto the online help section of the Crestron Web site (www.crestron.com/onlinehelp) to ask questions about Crestron products. First-time users must establish a user account to fully benefit from all available features.

Future Updates

As Crestron improves functions, adds new features and extends the capabilities of the GLEX-FT-8 and GLEX-FT-8-HC, additional information may be made available as manual updates. These updates are solely electronic and serve as intermediary supplements prior to the release of a complete technical documentation revision.

Check the Crestron Web site periodically for manual update availability and its relevance. Updates are identified as an "Addendum" in the Download column.

The specific patents that cover Crestron products are listed at patents.crestron.com.

Crestron, the Crestron logo, and Green Light Express are either trademarks or registered trademarks of Crestron Electronics, Inc. in the United States and/or other countries. UL and the UL logo are either trademarks or registered trademarks of Underwriters Laboratories, Inc. in the United States and/or other countries. Other trademarks and trade names may be used in this document to refer to either the entities claiming the marks and names or their products. Crestron disclaims any proprietary interest in the marks and names of others.

©2012 Crestron Electronics, Inc.

Return and Warranty Policies

Merchandise Returns / Repair Service

1. No merchandise may be returned for credit, exchange or service without prior authorization from Crestron. To obtain warranty service for Crestron products, contact an authorized Crestron dealer. Only authorized Crestron dealers may contact the factory and request an RMA (Return Merchandise Authorization) number. Enclose a note specifying the nature of the problem, name and phone number of contact person, RMA number and return address.
2. Products may be returned for credit, exchange or service with a Crestron Return Merchandise Authorization (RMA) number. Authorized returns must be shipped freight prepaid to Crestron, 6 Volvo Drive, Rockleigh, N.J. or its authorized subsidiaries, with RMA number clearly marked on the outside of all cartons. Shipments arriving freight collect or without an RMA number shall be subject to refusal. Crestron reserves the right in its sole and absolute discretion to charge a 15% restocking fee plus shipping costs on any products returned with an RMA.
3. Return freight charges following repair of items under warranty shall be paid by Crestron, shipping by standard ground carrier. In the event repairs are found to be non-warranty, return freight costs shall be paid by the purchaser.

Crestron Limited Warranty

Crestron Electronics, Inc. warrants its products to be free from manufacturing defects in materials and workmanship under normal use for a period of three (3) years from the date of purchase from Crestron, with the following exceptions: disk drives and any other moving or rotating mechanical parts, pan/tilt heads and power supplies are covered for a period of one (1) year; touch screen display and overlay components are covered for 90 days; batteries and incandescent lamps are not covered.

This warranty extends to products purchased directly from Crestron or an authorized Crestron dealer. Purchasers should inquire of the dealer regarding the nature and extent of the dealer's warranty, if any.

Crestron shall not be liable to honor the terms of this warranty if the product has been used in any application other than that for which it was intended or if it has been subjected to misuse, accidental damage, modification or improper installation procedures. Furthermore, this warranty does not cover any product that has had the serial number altered, defaced or removed.

This warranty shall be the sole and exclusive remedy to the original purchaser. In no event shall Crestron be liable for incidental or consequential damages of any kind (property or economic damages inclusive) arising from the sale or use of this equipment. Crestron is not liable for any claim made by a third party or made by the purchaser for a third party.

Crestron shall, at its option, repair or replace any product found defective, without charge for parts or labor. Repaired or replaced equipment and parts supplied under this warranty shall be covered only by the unexpired portion of the warranty.

Except as expressly set forth in this warranty, Crestron makes no other warranties, expressed or implied, nor authorizes any other party to offer any warranty, including any implied warranties of merchantability or fitness for a particular purpose. Any implied warranties that may be imposed by law are limited to the terms of this limited warranty. This warranty statement supersedes all previous warranties.

This page is intentionally left blank.