

FT2A-UTK-SHELF

Under-Table Utility Shelf for FT2 Series

Installation Guide



Description

The Crestron® FT2A-UTK-SHELF is a utility shelf that mounts to an FT2 assembly underneath the table, allowing for DigitalMedia™ transmitters, HBaseT® transmitters, HDMI® switchers, and other applicable devices to be installed and integrated within an FT2 FlipTop™ system.

Additional Resources

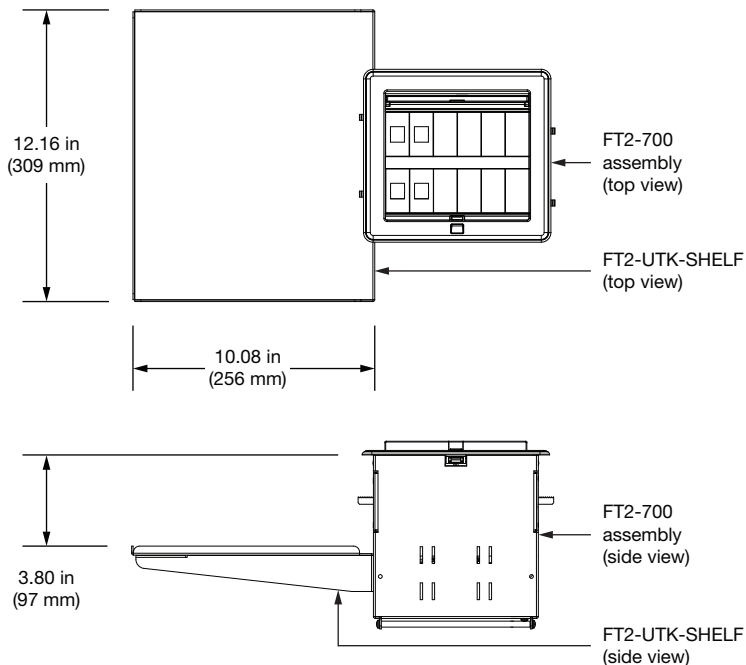
Visit the product page on the Crestron website (www.crestron.com) for additional information and the latest firmware updates. Use a QR reader application on your mobile device to scan the QR image.



Overview

The FT2A-UTK-SHELF mounts to the sides of an FT2 assembly underneath the table. The following illustrations show the dimensions for an FT2A-UTK-SHELF mounted to the side of an FT2-700 assembly.

FT2-700 with FT2A-UTK-SHELF Installed



CAUTION: The combined weight of devices placed on the FT2A-UTK-SHELF must not exceed 5.0 lbs (2.3 kg).

NOTE: Any devices placed on the FT2A-UTK-SHELF should not exceed the dimensions shown in the illustrations above.

Installation

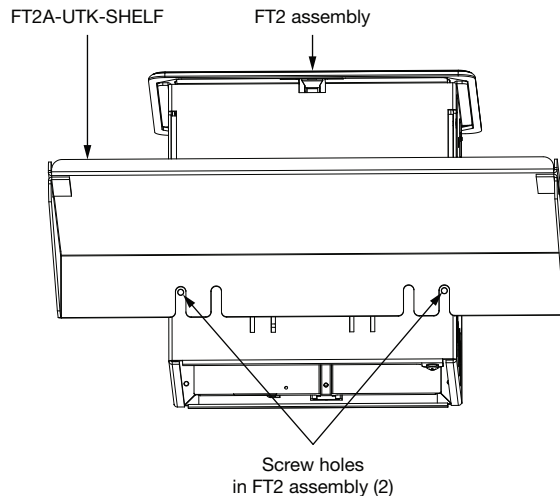
NOTE: Observe the following points before installing the FT2A-UTK-SHELF:

- A maximum of two FT2A-UTK-SHELF shelves can be mounted to one FT2 assembly.
- If two shelves are installed, each FT2A-UTK-SHELF must be mounted on opposite sides of the FT2 assembly. (Shelves cannot be mounted perpendicular to one another.)
- FT2A retractors and power supplies cannot be installed on the same side of the FT2 assembly as an FT2A-UTK-SHELF.

Use the following procedure to install the FT2A-UTK-SHELF.

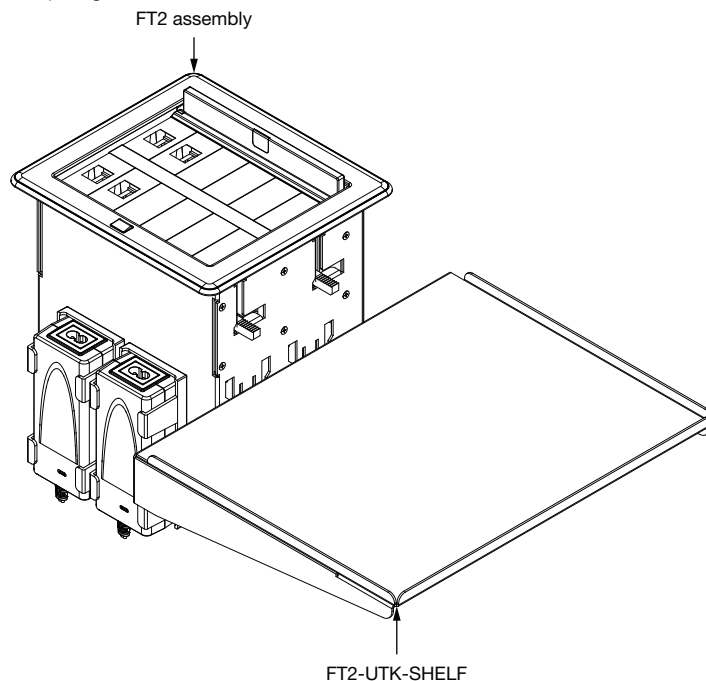
1. Underneath the table, align the two outer slots in the bottom front of the FT2A-UTK-SHELF with the two threaded screw holes on the appropriate side of the FT2 assembly. Refer to the following image for slot and screw hole locations.

Aligning the FT2A-UTK-SHELF with Screw Holes in FT2 Assembly



2. Insert the two included 10-32 x 3/8" thumb screws into the two screw holes so that the thumb screws engage the top of the outer slots in the FT2A-UTK-SHELF.
3. Hand tighten the thumb screws until the FT2A-UTK-SHELF is secured to the assembly. Do not overtighten the screws.

Completing the Installation



The product warranty can be found at www.crestron.com/warranty.

The specific patents that cover Crestron products are listed at www.crestron.com/legal/patents.

Certain Crestron products contain open source software. For specific information, please visit www.crestron.com/opensource.

Crestron, the Crestron logo, DigitalMedia and FlipTop are either trademarks or registered trademarks of Crestron Electronics, Inc. in the United States and/or other countries. HDBaseT is either a trademark or a registered trademark of the HDBaseT Alliance in the United States and/or other countries. HDMI is either a trademark or a registered trademark of HDMI Licensing, LLC in the United States and/or other countries. Other trademarks, registered trademarks, and trade names may be used in this document to refer to either the entities claiming the marks and names or their products. Crestron disclaims any proprietary interest in the marks and names of others. Crestron is not responsible for errors in typography or photography.

This document was written by the Technical Publications department at Crestron.

©2018 Crestron Electronics, Inc.

Crestron Electronics, Inc.
15 Volvo Drive, Rockleigh, NJ 07647
Tel: 888.CRESTRON
Fax: 201.767.7576
www.crestron.com

Installation Guide - DOC. 8252A
(2050264)
01.18

Specifications subject to
change without notice.