

UC-M70-Z-L

Crestron Flex Tabletop Large Room Video Conference System with Lenovo® M920Q ThinkSmart™ Edition Tiny for Zoom Rooms™ Software



- *Tabletop video conferencing solution for Zoom Rooms™ software*
- *Native Zoom Rooms™ touch screen UI provides a consistent, simple user experience with one-touch meeting joins*
- *Complete kit contains a Crestron Flex tabletop conference device, enterprise-grade camera, UC bracket assembly, microphone pod, power supply, and cables — just add a display and mount*
- *Easy to specify and install — no custom design, programming, or software installation required*
- *Network management and provisioning and system alerts through the XiO Cloud® service*
- *Premium-level support with Crestron Flex Care (optional)*
- *Enterprise-grade security - connects and communicates securely over any enterprise or SMB network*
- *Supports single or dual video displays (not included)*

The UC-M70-Z-L Crestron Flex tabletop conferencing system provides a large room video conference solution for use with Zoom Rooms™ software. It supports single or dual video displays¹ (not included) and features a Crestron Flex tabletop conference device, enterprise-grade camera, UC bracket assembly, microphone pod, power supply, and cables.

Native Zoom Rooms™ Software Experience

The UC-M70-Z-L system features Zoom Rooms conferencing software that enables audio and video connectivity for easy collaboration and content sharing.

Intuitive User Interface with Impressive Audio

With a large 7 in. HD color touch screen and an integrated AEC-enabled USB speakerphone that affords full-duplex wideband audio performance, the Crestron Flex Tabletop Conference device (CCS-UC-1) provides a superior conferencing and collaboration experience for meeting rooms, huddle spaces, and executive offices.

Simplified Deployment

The UC Bracket Assembly provides preassembled components on one ready-to-mount bracket to simplify installation. The assembly can be mounted on a wall, or it can be attached to the rear of the display device.

High-Definition Video Conferencing

The included enterprise-grade camera (UC-CAM-HD-520) features a wide-angle 82° diagonal field of view to capture an entire conference room in Full HD 1080p video resolution. High precision aspherical optics, super low light 2M pixel sensor, and advanced video processing ensure a clear video image free from light or noise artifacts.

Enterprise-Grade Security

Crestron Flex is an enterprise-grade solution that is ideally equipped for mass deployment throughout any sized corporate, university, medical, military, or government facility.

Easy Provisioning and Device Management

The XiO Cloud service is an IoT cloud based provisioning service (available separately) that enables installers and IT managers to easily deploy and manage thousands of devices. The XiO Cloud service provides system alerts, network management and provisioning, and the pairing of a control device to the system's UC Engine. System updates are controlled by Windows® software update.

Visit www.crestron.com/xiocloud for additional information.

Premium-Level Support

Crestron Flex Care is an optional subscription service that automatically renews annually, providing 24/7 live remote technical support, an extended five year warranty on Crestron® hardware, expedited advance replacements, and a discounted rate for on-site support.

Visit www.crestron.com/flexcare for additional information.

Deployment Resources

View the [Crestron Flex Pre-Deployment Checklist](#) to help plan your Crestron Flex installation.

UC-M70-Z-L

Crestron Flex Tabletop Large Room Video Conference System with Lenovo® M920Q ThinkSmart™ Edition Tiny for Zoom Rooms™ Software

Specifications

Included Components

CCS-UC-1	Crestron Flex tabletop conferencing device: <ul style="list-style-type: none">• Cable, CAT5e, RJ-45-to-RJ-45, 12 ft (3.66 m);• Cable management hardware
UC-BRKT-200-S-Z-L-ASSY	UC Bracket Assembly comprised of: <ul style="list-style-type: none">• UC Engine: Lenovo® M920Q ThinkSmart™ Edition Tiny with Zoom Rooms video• HD-CONV-USB-200: HDMI® to USB 3.0 converter for content ingest• Mounting hardware
UC-CAM-HD-520	Enterprise-grade camera
CCS-UCA-MIC	Extension microphone pod
CBL-4K-DP-HD-6	DisplayPort™ to HDMI Cable, 6 ft (1.8 m)
CBL-CAT5E-7	Ethernet LAN cable for UC Engine, RJ-45-to-RJ-45, black, 7 ft (2.1 m)
CBL-HD-6	HDMI Interface Cable, 6 ft (1.8 m)
CBL-HD-20	HDMI Interface Cable, 20 ft (6.1 m)
CBL-USB-A-BMICRO-6	USB Cable, USB Type A Male to Micro-B Male cable, 6 ft (1.8 m)
CBL-USB-A-EXT-15	USB Extension Cable, USB Type A Male-to-Female, 15 ft (4.6 m)

Crestron Flex tabletop conferencing device

Touch Screen	7 in. (178 mm) diagonal capacitive multi-touch TFT active matrix color LCD, 1280 x 800 pixels
UI	Zoom Rooms UI

Mic Mute Symbol and Light Bar	(2) Capacitive buttons with bi-color LEDs, either button toggles between mute and unmute
AEC	Limes Audio TrueVoice® acoustic echo cancellation, automatic mic mixing, automatic gain control, and dynamic noise reduction, full-duplex IEEE 1329 Type 1 compliant
Speaker	Full range speaker; Amplifier Power: 11 W; 95 dB SPL at 0.5 m maximum output; Frequency Response: 90 Hz to 22 kHz
Microphones	360° quad mic array; Pickup Range (typical): 20 ft (6 m)
Extension Microphones	Supports two mic pods, model CCS-UCA-MIC (sold separately)
Occupancy Sensor	6 ft (1.83 m) PIR range in front of touch screen
Ethernet	Dual-port 100 Mbps, auto-switching, auto-negotiating, auto-discovery, full/half duplex, DHCP, TCP/IP, UDP/IP, CIP, SSL, TLS, SSH, SFTP (SSH File Transfer Protocol), SRTP, IEEE 802.1X, Active Directory® authentication, LDAP, Kerberos, digest access authentication, password login, HTTPS secure provisioning, XiO Cloud client, primary port is IEEE 802.3at Type 2 PoE+ compliant
USB	USB 2.0 micro Type B device port, supports UAC for audio interface to UC Engine (cable included)
Power Options	PoE+: IEEE 802.3at Type 2, Class 4 (25.5 W) PoE+ Powered Device

NOTE: If the additional mic pod (CCS-UCA-MIC) is used, PoE+ cannot be used to power the device.

Dimensions	Height: 4.11 in. (104 mm) Width: 8.92 in. (227 mm) Depth: 12.74 in. (324 mm)
Weight	5.5 lb (2.5 kg)

Microphone Pod

Model	CCS-UCA-MIC
Communications	A2B bus protocol, slave, synchronous data, multichannel I2S/TDM to I2S/TDM

UC-M70-Z-L

Crestron Flex Tabletop Large Room Video Conference System with Lenovo® M920Q ThinkSmart™ Edition Tiny for Zoom Rooms™ Software

Microphone	Triple mic array with (3) cardioid electret elements
Pickup Range	20 ft (6 m) typical, 360°
Mic Mute	(1) Capacitive button with bi-color LED, toggles between mute and unmute (affects all system mics)
Connectors	(2) RJ9 4P4C connector, female
Power	Powered via the CCS-UC-1 through the A2B bus
Dimensions	Height: 0.97 in (25 mm) Width: 3.81 in (97 mm) Depth: 3.42 in (87 mm)

Camera

Image Sensor	Super low light 2M pixel sensor maintains a clear and natural image in low light conditions
Lens Focal Length	3.9 mm (wide) ~ 47.3 mm (tele)
Wide Field of View	82°
Lens F#	1.8 (wide) ~ 2.8 (tele)
Pan/Tilt/Zoom	Pan: ±170°; Tilt: +90° (up), -30° (down); 18X total zoom (12X optical zoom)
Connectivity	USB-C® connector
Power	12 VDC power adapter
Resolution/FPS	HD 1080p @ 30 fps
Dimensions	Height: 7.17 in. (182 mm) Width: 6.02 in. (153 mm) Depth: 5.63 in. (143 mm)

UC Bracket Assembly

UC Engine	Lenovo M920Q ThinkSmart Edition Tiny, Intel Core® processor with Windows® 10 IoT Edition OS and 100/1000 Mbps Ethernet connectivity
UC Client	Zoom Rooms software
Management Client	XiO Cloud Service
Content Ingest	HDMI input via HDMI to USB 3.0 converter (model HD-CONV-USB-200)
Display Output	Single or dual display support ¹
Display Output Resolution	1080p
Power	135 W via external 100-240VAC, 50/60 Hz adapter (included)

Construction	Metal mounting bracket, black, preassembled with UC Engine and HD-CONV-USB-200
---------------------	--

Mounting	Surface wall mount behind the display device, or attach to the rear of the display device via the bolts attaching the display to a VESA® compliant display mount; Bracket includes mounting holes on both side edges, spaced 100, 200, and 300 mm vertically, to allow for attachment to either side of the display mounting plate
-----------------	--

Dimensions	Height: 15.00 in. (381 mm) Width: 14.50 in. (368 mm) Depth: 1.90 in. (48 mm)
-------------------	--

Weight	6.64 lb (3 kg)
---------------	----------------

Model

UC-M70-Z-L

Crestron Flex Tabletop Large Room Video Conference System with Lenovo® M920Q ThinkSmart™ Edition Tiny for Zoom Rooms™ Software

Available Accessories

For a list of available accessories, visit the [UC-M70-Z-L](#) product page.

Note:

1. Display must support "Wake on Sync" and "Sleep on No Sync" functionality. Consult the display manufacturer's specifications or internal settings of the specific display.

This product may be purchased from select authorized Crestron dealers and distributors. To find a dealer or distributor, please contact the Crestron sales representative for your area. A list of sales representatives is available online at www.crestron.com/How-To-Buy/Find-a-Representative or by calling 855-263-8754.

This product is covered under the Crestron standard limited warranty. Refer to www.crestron.com/warranty for full details.

The specific patents that cover Crestron products are listed online at patents.crestron.com.

Certain Crestron products contain open source software. For specific information, please visit www.crestron.com/opensource.

Crestron, the Crestron logo, and XiO Cloud are either trademarks or registered trademarks of Crestron Electronics, Inc. in the United States and/or other countries. TrueVoice is either a trademark or registered trademark of Google Inc. in the United States and/or other countries. HDMI is either a trademark or registered trademark of HDMI Licensing LLC in the United States and/or other countries. Intel Core is either a trademark or registered trademark of Intel Corporation in the United States or other countries. Lenovo and ThinkSmart are either trademarks or registered trademarks of Lenovo in the United States and/or other countries. Active Directory and Windows are either trademarks or

UC-M70-Z-L

Crestron Flex Tabletop Large Room Video Conference System with Lenovo® M920Q ThinkSmart™ Edition Tiny for Zoom Rooms™ Software

registered trademarks of Microsoft Corporation in the United States and/or other countries. USB-C is either a trademark or registered trademark of USB Implementers Forum, Inc. in the United States and/or other countries. DisplayPort and VESA are either trademarks or registered trademarks of Video Electronics Standards Association in the United States and/or other countries. Zoom Rooms is either a trademark or registered trademark of Zoom Video Communications, Inc. in the United States and/or other countries. Other trademarks, registered trademarks, and trade names may be used in this document to refer to either the entities claiming the marks and names or their products. Crestron disclaims any proprietary interest in the marks and names of others. Crestron is not responsible for errors in typography or photography.

Specifications are subject to change without notice.

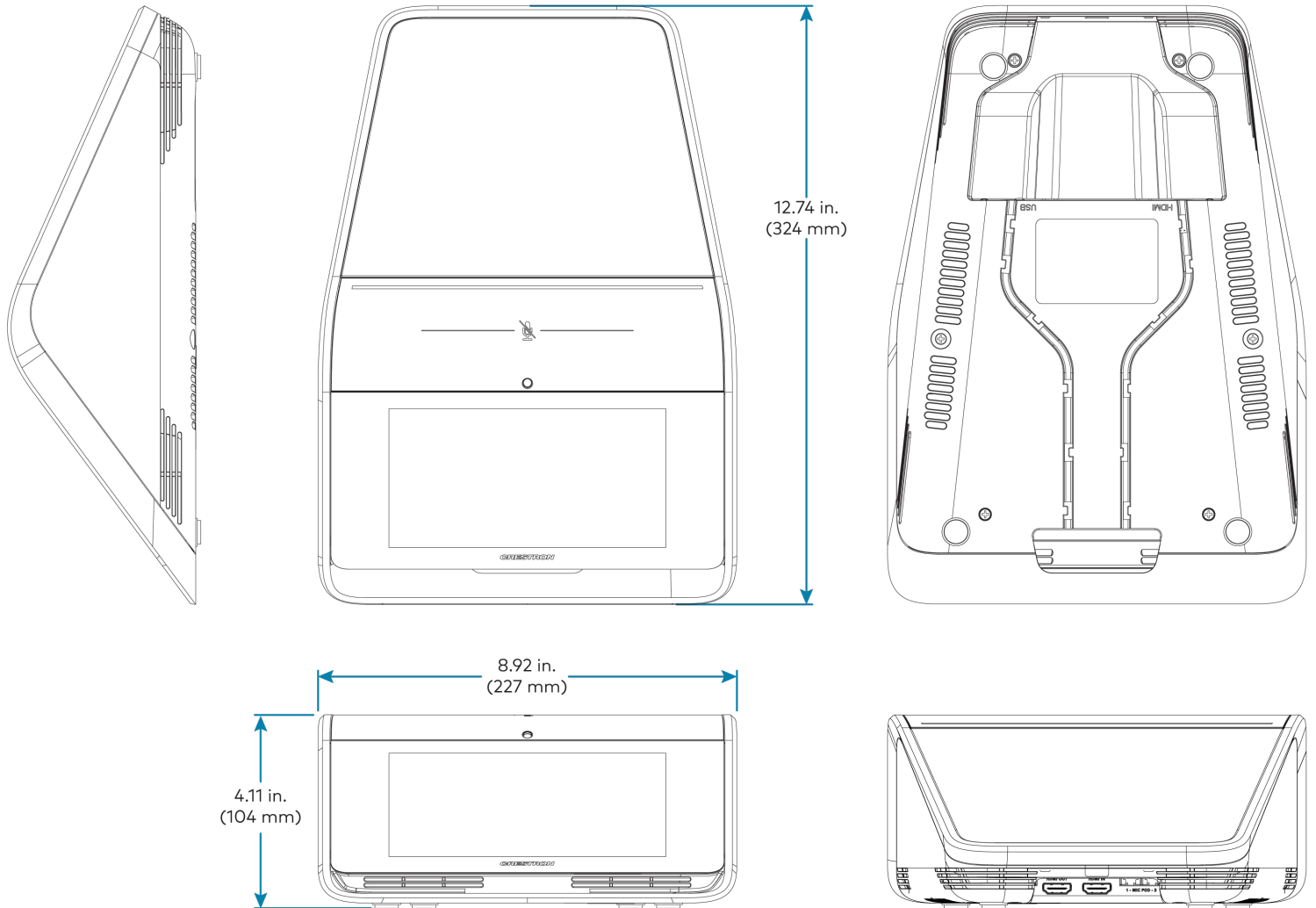
©2021 Crestron Electronics, Inc.

Rev 05/28/21

UC-M70-Z-L

Crestron Flex Tabletop Large Room Video Conference System with
Lenovo® M920Q ThinkSmart™ Edition Tiny for Zoom Rooms™ Software

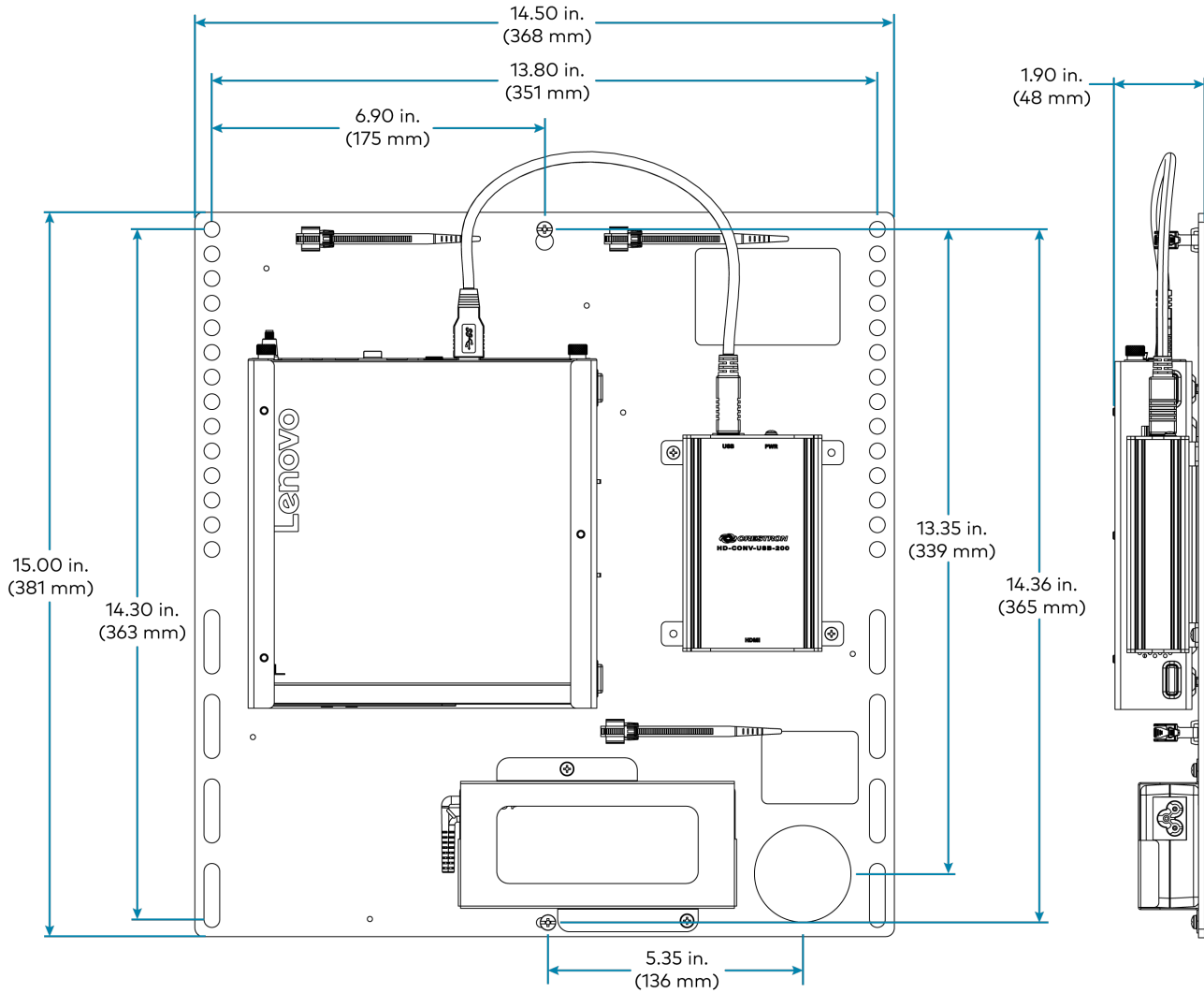
Crestron Flex Tabletop Conference Device (CCS-UC-1)



UC-M70-Z-L

Crestron Flex Tabletop Large Room Video Conference System with
Lenovo® M920Q ThinkSmart™ Edition Tiny for Zoom Rooms™ Software

UC Bracket Assembly (UC-BRKT-200-S-Z-L-ASSY)



UC-M70-Z-L

Crestron Flex Tabletop Large Room Video Conference System with
Lenovo® M920Q ThinkSmart™ Edition Tiny for Zoom Rooms™ Software

Mic Pod (CCS-UCA-MIC)

