

## DM-PSU-3X8-RPS

### PoDM+ Redundant Power Supply for DM 8G+® I/O Blades

#### DO Install the Device

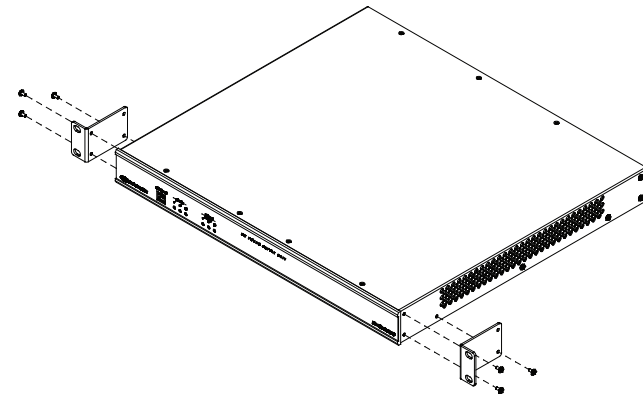
The Crestron® DigitalMedia™ DM-PSU-3X8-RPS can be mounted into a rack or placed onto a flat surface.

**CAUTION:** Do not use the handles of the power supply modules to lift the device. Doing so can bend the handles. The handles are designed only for the insertion or removal of a power supply module in a power supply slot. Lift the device by grasping only the left and right sides of the chassis.

#### Mounting into a Rack

The DM-PSU-3X8-RPS occupies 1U of rack space. Using a #1 or #2 Phillips screwdriver, attach the two included rack ears to the device using the six included 4-40 x 3/8" Phillips pan head screws. Then, mount the device into the rack using four mounting screws (not included).

##### 1 Attachment of Rack Ears



#### Placing onto a Flat Surface

When placing the device onto a flat surface or stacking it with other equipment, attach the included feet near the corners on the underside of the device.

#### DO Make Connections to the Device

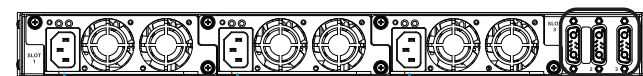
Make connections to the front and rear panels of the device.

##### 2 Front Panel Connection



PC Running  
Crestron Toolbox™  
(Cable Included)

##### 3 Rear Panel Connections



Power from  
Line Voltage  
(Power Cord  
Included)

Power from  
Line Voltage  
(Power Cord  
Included)

Power from  
Line Voltage  
(Power Cord  
Included)

To PoDM  
Input of DM 8G+®  
Input or Output Blade  
(Cable Included)

**NOTE:** If two or three DM 8G+® blades connect to the DM-PSU-3X8-RPS, the three power supplies of the DM-PSU-3X8-RPS are required to power the endpoints of the blades and to ensure redundancy. If one DM 8G+ blade connects to the DM-PSU-3X8-RPS, two power supplies of the DM-PSU-3X8-RPS are required to power the endpoints of the blade and to ensure redundancy.

#### DO Check the Box

QUANTITY	PRODUCT	COLOR	PART NUMBER
2	Bracket, Rack Ear, 1U		2043941
3	Cable, PoDM+, D-Sub Male - D-Sub Female, 8' (2.4 m)		4522418
1	Cable, USB 2.0, A - B, 6' (1.83 m)		2014966
4	Foot, 0.5" x 0.5" x 0.23" H, Adhesive	Black	2002389
3	Power Cord, 6' 7" (2 m)		2001134
6	Screw, 4-40 x 3/8", Pan Head, Phillips	Black	2007170

Not Included: Rack Mounting Screws

#### DO Verify Operation of the Device

To verify that the device is operating properly, view the LED indicators on the front panel of the device. In addition, LED indicators on each power supply module can be viewed from the rear of the device. Refer to the following tables for information about the LED indicators.

##### Front Panel LED Indicators

LED Indicator	Color	Meaning	Possible Cause	Corrective Action
Power Supply LEDs 1-3	Green	A power supply module is detected in the corresponding slot, is powered on, and is functioning properly.	—	No action required
	Red	A power supply module is detected in the corresponding slot; however, an error condition exists.	AC power is not connected to the corresponding power supply module.  The power supply module in the corresponding slot has failed.	Check AC power connection.  Replace the power supply module.
	Off	A power supply module is not detected in the corresponding slot.	A power supply module is not properly installed in the corresponding power supply module slot.  A power supply module is not present in the corresponding power supply module slot.	Ensure that the power supply module is installed properly.  Install a power supply module.
Output LEDs 1-3	Green	A blade is connected to the corresponding output connector, is receiving power, and is communicating with the power supply module.	—	No action required
	Red	An error condition exists.	A blade is not connected.	Check the cable connection to the blade.
			A blade is connected but is not receiving power.	Power on the DigitalMedia switcher.
			A power shutdown has occurred due to an over-temperature condition.	Check the airflow and ventilation.
			A blade has failed.	Replace the blade.
A DM-PSU-3X8-RPS hardware failure has occurred.	Replace the DM-PSU-3X8-RPS.			

##### Power Supply LED Indicators (Rear)

LED Indicator Color	Meaning	Possible Cause	Corrective Action
Green	The corresponding power supply module is functioning properly.	—	No action required
Red	An error condition exists with the corresponding power supply module.	The power supply module has failed.	Replace the power supply module.
Green and red are both off.	An error condition exists with the corresponding power supply module.	AC power is not connected to the power supply module.	Check AC power connection.
		The power supply module has failed.	Replace the power supply module.



## DO Learn More

Visit the website for additional information and the latest firmware updates. To learn more about this product, use a QR reader application on your mobile device to scan the QR image.

### Crestron Electronics

15 Volvo Drive, Rockleigh, NJ 07647

888.CRESTRON | [www.crestron.com](http://www.crestron.com)



As of the date of manufacture, the product has been tested and found to comply with specifications for CE marking.

This product is Listed to applicable UL Standards and requirements by Underwriters Laboratories Inc.

#### Federal Communications Commission (FCC) Compliance Statement

This device complies with part 15 of the FCC Rules. Operation is subject to the following two conditions:

(1) This device may not cause harmful interference, and (2) this device must accept any interference received, including interference that may cause undesired operation.

**CAUTION:** Changes or modifications not expressly approved by the manufacturer responsible for compliance could void the user's authority to operate the equipment.

**NOTE:** This equipment has been tested and found to comply with the limits for a Class A digital device, pursuant to part 15 of the FCC Rules. These limits are designed to provide reasonable protection against harmful interference when the equipment is operated in a commercial environment. This equipment generates, uses, and can radiate radio frequency energy and, if not installed and used in accordance with the instruction manual, may cause harmful interference to radio communications. Operation of this equipment in a residential area is likely to cause harmful interference in which case the user will be required to correct the interference at his own expense.

#### Industry Canada (IC) Compliance Statement

CAN ICES-3(A)/NMB-3(A)

#### Rack Mounting Safety Precautions

- Elevated Operating Ambient Temperature: If installed in a closed or multi-unit rack assembly, the operating ambient temperature of the rack environment may be greater than room ambient temperature. Therefore, consideration should be given to installing the equipment in an environment compatible with the maximum ambient temperature (T<sub>ma</sub>) specified by the manufacturer.
- Reduced Airflow: Installation of the equipment in a rack should be such that the amount of airflow required for safe operation of the equipment is not compromised.
- Mechanical Loading: Mounting of the equipment in the rack should be such that a hazardous condition is not achieved due to uneven mechanical loading.
- Circuit Overloading: Consideration should be given to the connection of the equipment to the supply circuit and the effect that overloading of the circuits might have on overcurrent protection and supply wiring. Appropriate consideration of equipment nameplate ratings should be used when addressing this concern.
- Reliable Earthing: Reliable earthing of rack-mounted equipment should be maintained. Particular attention should be given to supply connections other than direct connections to the branch circuit (e.g., use of power strips).

#### Electrical Connection

"This product must be connected to an earthed mains socket-outlet."

- Finland: "Laitte on liitettävä suojamaadoituskoskettimilla varustettuun pistorasiaan."
- Norway: "Apparatet må tilkoples jordet stikkontakt."
- Sweden: "Apparaten skall anslutas till jordat uttag."

The specific patents that cover Crestron products are listed at [patents.crestron.com](http://patents.crestron.com).

Certain Crestron products contain open source software. For specific information, please visit [www.crestron.com/opensource](http://www.crestron.com/opensource).

Crestron, the Crestron logo, Crestron Toolbox, DigitalMedia, and DM 8G+ are either trademarks or registered trademarks of Crestron Electronics, Inc. in the United States and/or other countries. Other trademarks, registered trademarks, and trade names may be used in this document to refer to either the entities claiming the marks and names or their products. Crestron disclaims any proprietary interest in the marks and names of others. Crestron is not responsible for errors in typography or photography.

This document was written by the Technical Publications department at Crestron.

©2015 Crestron Electronics, Inc.

The product warranty can be found at [www.crestron.com/warranty](http://www.crestron.com/warranty).