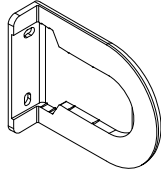
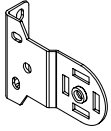


Contents

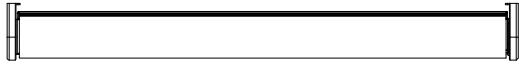
The following items are included with the Crestron® roller shade assembly to ensure proper installation.

Bracket (2)

End Cap (2)



Roller Shade



Cord Tension Device



Install Brackets and Roller Shade Assembly

⚠ WARNING



The cords on this product present a potential strangulation hazard.



For child safety, consider cordless alternatives or products with inaccessible cords.

⚠ ADVERTENCIA



Los cordones de este producto representan un peligro potencial de estrangulamiento.



Para la seguridad de los niños, utilice alternativas sin cordón o productos cuyos cordones sean inaccesibles.

⚠ MISE EN GARDE



Les câbles de ce produit représentent un danger potentiel de strangulation.



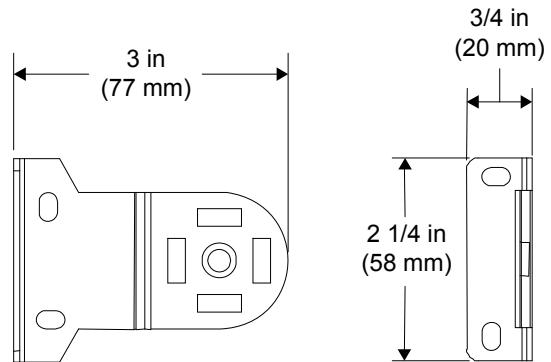
Pour la sécurité des enfants, pensez au sans fil, ou procurez-vous des produits dont les câbles ne sont pas accessibles.

For more information, visit crestron.com/shadesafety (PDF).

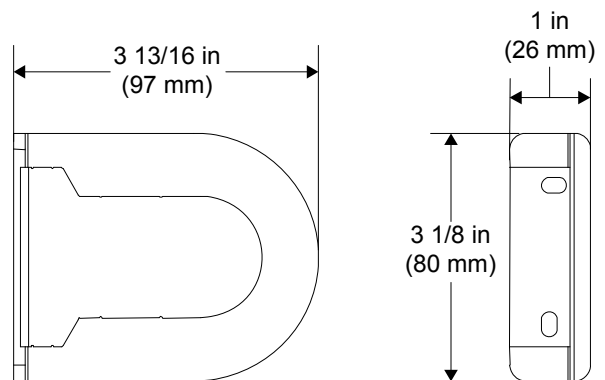
NOTE: For indoor use only.

The Décor Series Manual Shades are mounted to the wall using the two supplied brackets. The end caps and roller shade assembly then attach to the brackets. Refer to the following illustrations for bracket and end cap dimensions.

Dimensions – Bracket



Dimensions – End Cap



Install Brackets

The brackets mount to the wall using screws that are appropriate for the mounting surface. Follow the procedure below to mount the brackets.

1. Hold the roller shade assembly in the approximate mounting location and check for proper fit. The roller shade assembly should be a minimum of 3 1/8 in (80 mm) above the window casing to allow for end cap height.
2. Ensure that the mounting points are level with each other and mark the locations of the brackets.

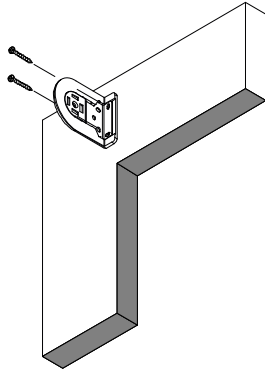
NOTE: If using end caps, be sure to leave enough space for the end cap width.



NOTE: Brackets should be level when mounted. The roller shade assembly cannot be adjusted once mounted.

3. Install the end caps before securing the brackets.
4. Fasten the brackets to the window frame using the appropriate hardware for the surface. Ensure they are level and on a flat surface for best results.

Mount Brackets

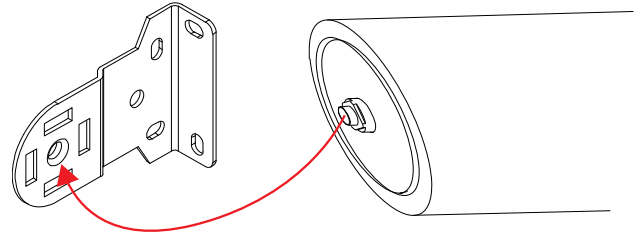


Install Roller Shade Assembly

Follow the procedure below to attach the roller shade to the brackets.

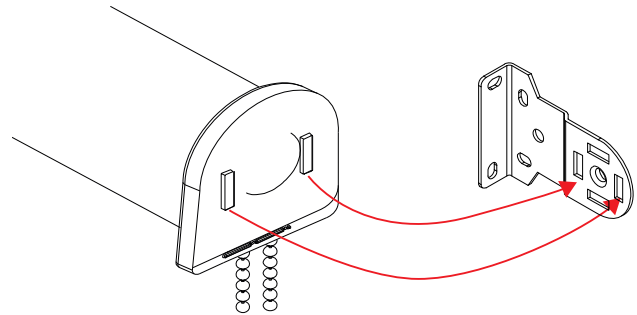
1. Place the spring-loaded pin into the idler bracket.

Insert Spring-Loaded Pin into Idler Bracket



2. While depressing the pin by pushing the roller shade assembly toward the bracket, insert the notches on the operator end into the other bracket. Press down to lock it into place.

Insert Notches into Operator End



Install Cord Tension Device

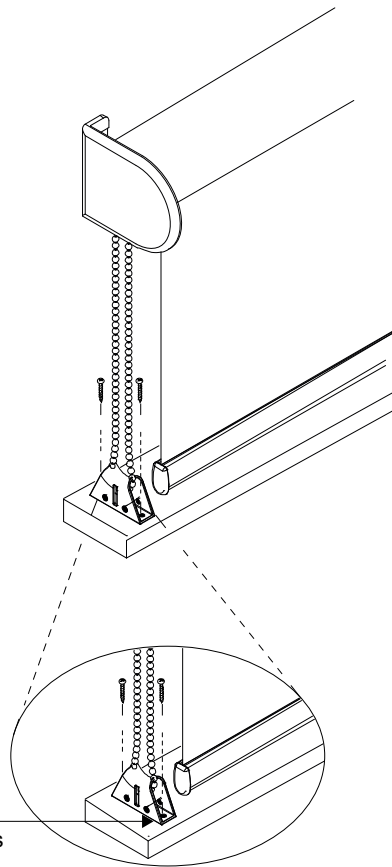
WARNING: Proper installation of the cord tension device keeps loops from being easily accessible. If the cord is not secured using the cord tension device, the unsecured cord becomes a strangulation hazard. Do not install clutch-operated shades near cribs or playpens.

The cord tension device ensures that the cord is kept in place and does not interfere with shade operation.

Position the cord tension device so there is no slack in the cord and secure it to the wall or windowsill using the included hardware.

Install Cord Tension Device

Attach the cord tension device to the wall or windowsill. Ensure that there is no slack in the chain cord.



When attaching the cord, ensure that the spring is deployed so that the screw passes through both holes.

Test Shade Function

The roller shade assembly must be tested before operation. Follow the procedure below to check for proper operation of the roller shade assembly.

1. With the roller shade assembly in place, make sure all mounting hardware is secure and fully tightened.
2. Remove the paper strips or packaging that keep the fabric rolled tightly.
3. Use the cord to carefully position the shade at its lower limit. Repeat this procedure to move the shade to its upper limit. Observe the fabric on the tube carefully, taking note if it drifts to one side or the other.
4. If drifting occurs, continue raising the shade with caution. If it appears that the fabric is going to drift beyond the end of the tube, **DO NOT** continue to raise the shade. The shade must be reinstalled and leveled for proper operation.

Set Shade Limits

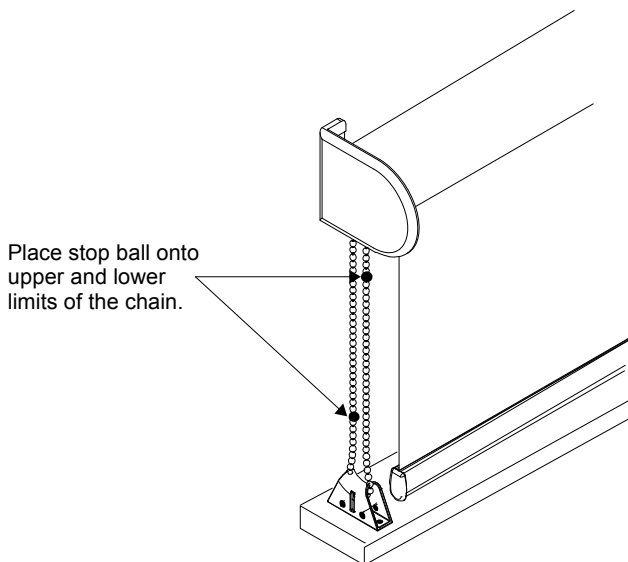
The roller shade assembly must be configured so that the shade stops at its upper and lower limits. Use the following procedure to set the shade limits for regular roll shades. Refer to the following illustration for guidance.

NOTE: Regular roll shades position the fabric nearest the window and are raised and lowered between the roller shade and the window. Reverse roll shades position the fabric away from the window and are raised and lowered on the side facing the room.

1. Use the cord to position the shade at the desired lower limit.
2. Install the stop ball to the cord that is furthest away from the window. The stop ball should be installed near the top of the cord. Use pliers to crimp the stop ball to the cord.
3. Use the cord to position the shade at the desired upper limit.
4. Install the stop ball to the cord that is closest to the window. The stop ball should be installed near the top of the cord. Use pliers to crimp the stop ball to the cord.

NOTE: Reverse roll shades should have the stop ball for the lower limit installed near the top of the cord that is closest to the window. The stop ball for the upper limit is placed near the top of the cord furthest away from the window.

Set Limits



Further Inquiries

To locate specific information or resolve questions after reviewing this guide, contact Crestron's True Blue Support at 1-888-CRESTRON [1-888-273-7876] or, for assistance within a particular geographic region, refer to the listing of Crestron worldwide offices at www.crestron.com/offices.

To post a question about Crestron products, log onto Crestron's Online Help at www.crestron.com/onlinehelp. First-time users must establish a user account to fully benefit from all available features.

Future Updates

As Crestron improves functions, adds new features, and extends the capabilities of the Décor Series Manual Shades, additional information may be made available as manual updates. These updates are solely electronic and serve as intermediary supplements prior to the release of a complete technical documentation revision.

Check the Crestron website periodically for manual update availability and its relevance. Updates are identified as an "Addendum" in the Download column.

The specific patents that cover Crestron products are listed at patents.crestron.com.

Crestron and the Crestron logo are either trademarks or registered trademarks of Crestron Electronics, Inc. in the United States and/or other countries. Other trademarks, registered trademarks, and trade names may be used in this document to refer to either the entities claiming the marks and names or their products. Crestron disclaims any proprietary interest in the marks and names of others. *Crestron is not responsible for errors in typography or photography.*

This document was written by the Technical Publications department at Crestron.
©2014 Crestron Electronics, Inc.

Crestron Shading Solutions Standard Limited Warranty

This limited warranty is applicable to Crestron Shading Solutions mounting hardware, shade fabric, DIGITAL QMT shade motors and QMT shade motors. For other Crestron products, such as wall controls, interfaces and system accessories, please refer to the Crestron Standard Limited Warranty. Batteries are not warranted by Crestron under this or any other warranty. This warranty gives you specific legal rights, and you may also have other rights which vary from state to state.

Limited Warranty

Subject to the exclusions and restrictions in this warranty, Crestron warrants that if any DIGITAL QMT shade motor is found to exhibit defects in material or workmanship under normal use for the lifetime of the product or if any mounting hardware, shade fabric or QMT shade motor is found to exhibit defects in material or workmanship under normal use during the time periods listed below from the date of purchase, so long as Customer promptly notifies Crestron of the defect and, if requested by Crestron, upon return of the defective product, Crestron will, at its sole discretion, either repair the defective product or issue a credit against the purchase price of comparable replacement product purchased from Crestron as follows.

Number of Years from Date of Purchase, as Applicable	Percentage Warranted by Crestron for			
	DIGITAL QMT Motors	QMT Motors	Mounting Hardware	Shade Fabric
Up to 5	100%	100%	100%	100%
More than 5 but not more than 8	100%	50%	50%	50%
More than 8	100%	0%	0%	0%

Replacement parts provided by Crestron or, at its sole discretion, an approved vendor may be new, used, repaired, reconditioned and/or made by a different manufacturer.

Terms and Conditions of Limited Warranty

This warranty extends to products purchased directly from Crestron or an authorized Crestron dealer. Purchasers should inquire of the dealer regarding the nature and extent of the dealer’s warranty if any. Repaired or replaced equipment and parts supplied under this warranty shall be covered only by the unexpired portion of the warranty on the original purchase. This warranty is provided only to the original purchaser of the Crestron equipment and shall not extend to subsequent owners. This warranty does not cover, and Crestron is not responsible for, labor costs to diagnose, remove, repair, replace, reinstall and/or program any Crestron product.

This warranty shall be null and void, and Crestron shall have no liability under the terms of this warranty, if the product has been used in an application or environment other than that for which it was intended or if it has been subjected to misuse, abuse, accidental damage, modification, improper repair or installation procedures, reinstallation in a new location, connection to a power supply not designed for Crestron shades, use in conjunction with fabric not provided by Crestron or adverse environmental factors including incorrect line voltages, improper wiring, improperly rated fuses or circuit breakers, insufficient ventilation or incorrect temperatures or an act of God. This warranty does not cover any product that has had the serial number altered, defaced or removed.

This warranty shall be the sole and exclusive remedy to the original purchaser. In no event shall Crestron be liable for incidental or consequential damages of any kind (property or economic damages inclusive) arising from the sale or use of this equipment. The Purchaser assumes responsibility and will hold Crestron harmless in respect of all such losses. Crestron’s liability on any claim for damages arising out of or in connection with the manufacture, sale, installation, delivery or use of the unit shall never exceed the purchase price of the unit. Crestron is not liable for any claim made by a third party or made by the Purchaser for a third party.

Further, Crestron shall have no liability for any claims of infringement of any patent, trademark, copyright or other intellectual property: if Crestron products are used in combination with other third party products or without Crestron’s express authorization; if the Crestron products were modified by anyone other than Crestron; for the use or sale of the product other than as specified and authorized in Crestron’s documentation; for the use or sale of any version of Crestron software other than the most current version.

Except as expressly set forth in this warranty, Crestron makes no other warranties, expressed or implied, nor authorizes any other party to offer any warranty, including any implied warranties or merchantability or fitness for a particular purpose. THE DURATION OF ANY IMPLIED WARRANTIES THAT MAY BE IMPOSED BY LAW, INCLUDING ANY IMPLIED WARRANTY OF MERCHANTABILITY OR FITNESS FOR A PARTICULAR PURPOSE, IS EXPRESSLY LIMITED TO THIS WARRANTY PERIOD. This warranty supersedes any and all previous warranties. Some states do not allow exclusion or limitation of incidental or consequential damages or limitations on how long an implied warranty lasts, so these limitations may not apply to you. Crestron’s obligations under any implied warranties shall be limited to the terms of this express warranty.

To Make A Warranty Claim

To make a warranty claim, promptly notify Crestron within the warranty periods described above by calling the Crestron Technical Support Center at 1-888-CRESTRON. Crestron, in its sole discretion, will determine what action, if any, is required under this warranty.

Most problems can be corrected over the phone through close cooperation between Customer and a Crestron technician. To better enable Crestron to address a warranty claim, please have the product’s serial and model numbers as well as its current operating system version, if applicable. If Crestron, in its sole discretion, determines that an on-site visit or other remedial action is necessary, Crestron may send a representative or coordinate the dispatch of a representative from a Crestron approved vendor, to Customer’s site, and/or coordinate a warranty service call between Customer and a Crestron approved vendor.