

CCS-UC-1-X KIT

Crestron Mercury® X Tabletop UC Video Conference System



- *Tabletop audio and video conferencing solution*
- *Present, call, conference, and collaborate using your own UC conference software (BYOD)*
- *Complete kit contains the Crestron Mercury® X Tabletop Conference System (CCS-UC-1-X), Huddly IQ™ Collaboration Camera, HD-RX-USB-2000-C HDMI® over CATx Receiver, and cables*
- *Easy to specify and install — no custom design, programming, or software installation required*
- *Network management and provisioning and system alerts through the XiO Cloud® service*
- *Enterprise-grade security - connects and communicates securely over any enterprise or SMB network*
- *Supports a single video display*

The CCS-UC-1-X KIT provides a complete conferencing and collaboration solution for open-platform UC applications. It supports a single video display¹, and features Crestron Mercury® X Tabletop Conference System ([CCS-UC-1-X](#)), Huddly IQ™ Collaboration Camera (model [CCS-CAM-USB-F-400](#)), and [HD-RX-USB-2000-C](#) HDMI® over CATx Receiver.

Voice Calling & Audio Conferencing

The [CCS-UC-1-X](#) provides full-duplex conferencing speakerphone capabilities and is compatible with major SIP-compliant phone systems. Dialing and answering calls is easy and intuitive using the large HD color touch screen. Corporate directory access (LDAP) enables one-touch dialing from the customer's centrally-managed directory. Native Skype® for Business VoIP support enables one-touch join capability for scheduled Skype meetings (audio only), or you can place a Skype call using the directory or dial pad.

The CCS-UC-1-X can pair with a mobile phone using Bluetooth® connectivity to make or join phone calls, or to use as a speaker and/or microphone for an application running on a smartphone. When used for calls, controls for the Bluetooth-enabled phone

appear on the touch screen, enabling instant connectivity with the press of a button.

The CCS-UC-1-X behaves like any USB Audio Class device, allowing you to connect a laptop computer via USB to improve audio performance for any softphone, multimedia, or audio conferencing application running on the laptop.

BYOD Multimedia Presentation

Connect a display device to the HD-RX-USB-2000-C's HDMI output port to enable high-definition video presentation from all types of BYOD sources.

Connect an AV source to the CCS-UC-1-X's HDMI input port to present full-motion HD video content on the room display. Sources with DisplayPort™ or USB Type-C® outputs can also be connected using an optional Crestron video cable system ([CBL-MULTI-6](#) or [CBL-MULTI-12](#), sold separately).

Use the built-in AirMedia® technology for wireless presentation of content from a laptop, smartphone, or tablet device via the room's Wi-Fi® wireless network. Visit www.crestron.com/airmedia for more information.²

Videoconferencing & Web Collaboration

Videoconferencing is enabled by connecting a laptop running a web conferencing or UC application such as Microsoft Teams® Rooms, Skype for Business, Cisco Webex®, GotoMeeting®, Slack®, BlueJeans, or Zoom Rooms™. All participants are provided with enhanced bidirectional audio along with a high-definition view of the whole room.

Connect the laptop's HDMI output to allow the whole room to view far-end content and camera images on the main room display. Laptops with DisplayPort or USB Type-C outputs can also be connected using an optional Crestron video cable system ([CBL-MULTI-6](#) or [CBL-MULTI-12](#), sold separately).

Crestron Mercury X Tabletop Conference System

The Crestron Mercury X Tabletop Conference System ([CCS-UC-1-X](#)) provides a superior conferencing and collaboration experience for meeting rooms, huddle spaces, and executive offices. It delivers a simple and consistent user experience through its large 7 in. HD color touch screen. The integrated AEC-enabled USB speakerphone affords exceptional full-duplex wideband audio performance.

Refer to the [CCS-UC-1-X](#) product page for additional information.

Huddly IQ Collaboration Camera

The Huddly IQ collaboration camera ([CCS-CAM-USB-F-400](#)) features an ultra wide-angle 150° diagonal field of view to capture an entire conference room with Full HD 1080p video resolution. High-precision aspherical optics, 12 MP CMOS sensor, and advanced video processing ensure an immersive, crystal clear video image free from light or noise artifacts or optical aberrations. Genius Framing digital autozoom intelligently detects the people in the room and frames them perfectly at all times for an optimal view with no loss of

CCS-UC-1-X KIT

Crestron Mercury® X Tabletop UC Video Conference System

resolution. People-counting analytics detect and report the number of people in the frame for analysis by room utilization software.³

Refer to the [CCS-CAM-USB-F-400](#) product page for additional information.

HDMI over CATx Receiver

The HDMI over CATx Receiver ([HD-RX-USB-2000-C](#)) receives uncompressed HDMI, CEC, RS-232, Ethernet, and IR signals sent from a CCS-UC-1-X Crestron Mercury X Tabletop Conference System through a single CAT type⁴ cable. Signals are broken out to relevant output ports for connection to the front-of-room display.

Refer to the [HD-RX-USB-2000-C](#) product page for additional information.

XiO Cloud® Provisioning and Management Service

The CCS-UC-1-X and CCS-CAM-USB-F-400 are compatible with the XiO Cloud® service, which enables installers and IT managers to deploy and manage thousands of devices in the amount of time it previously took to manage just one. The XiO Cloud service allows for system alerts and network management and provisioning.

Visit www.crestron.com/xiocloud for additional information.

Specifications

Included Components

CCS-UC-1-X	Crestron Mercury X Tabletop Conference System; Cable, CAT5e, RJ-45-to-RJ-45, 12 ft (3.66 m); PW-2420RU Universal power supply and power cord; Cable management hardware
CCS-CAM-USB-F-400	Huddly IQ Collaboration Camera
HD-RX-USB-2000-C	HDMI over CATx Receiver
CBL-HD-THIN-HS-6	HDMI Cable, Thin, Type A Male-to-Male, 6 ft (1.8 m)
CBL-HD-6	HDMI Interface Cable, 6 ft (1.8 m)
CBL-USB-A-BMICRO6	USB Cable, USB Type A Male to Micro-B Male cable, 6 ft (1.8 m)
DM-CBL-ULTRA-PC-50	Ethernet LAN cable for touch screen, CAT6a, RJ-45-to-RJ-45, blue, 50 ft (15 m)
STIRP	IR Emitter Probe w/3.5 mm Mini Phone Plug

Crestron Mercury X Tabletop Conference System

Touch Screen	7 in. (178 mm) diagonal capacitive multi-touch TFT active matrix color LCD, 1280 x 800 pixels
Mic Mute Symbol & Light Bar	(2) Capacitive buttons with bicolor LEDs; Toggles between mute and unmute
AEC	Limes Audio TrueVoice® acoustic echo cancellation, automatic mic mixing, automatic gain control, and dynamic noise reduction; Full-duplex IEEE 1329 Type 1 compliant
Speaker	Full range speaker; Amplifier power: 11 W; 95 dB SPL at 0.5 m maximum output; Frequency response: 90 Hz to 22 kHz
Microphones	360° quad mic array; Pickup range (typical): 20 ft (6 m)
Extension Microphones	Supports two mic pods, model CCS-UCA-MIC KIT (sold separately)
Occupancy Sensor	Persistent Occupancy Awareness combining passive infrared motion and voice activity detection; 6 ft (1.83 m) PIR range in front of touch screen; Wakes touch screen and reports room occupancy to Crestron Fusion monitoring and scheduling software
Ethernet	100 Mbps, enterprise-grade security and management including IEEE 802.1X, Active Directory® authentication, LDAP, Kerberos, SSL, TLS, SSH, SFTP (SSH File Transfer Protocol), SRTP, digest access authentication, password login, HTTPS secure provisioning, XiO Cloud service
USB	USB 2.0 micro Type B device port; Supports UAC for audio interface
Power	24 VDC via external 100-240 VAC, 50/60 Hz power pack, model PW-2420RU (included)
	NOTE: The CCS-UC-1-X cannot be powered by Power over Ethernet (PoE+).
Dimensions	Height: 4.11 in. (105 mm) Width: 8.92 in. (227 mm) Depth: 12.74 in. (324 mm)
Weight	5.50 lb (2.5 kg)

CCS-UC-1-X KIT

Crestron Mercury® X Tabletop UC Video Conference System

Refer to the [CCS-UC-1-X](#) specifications for additional information.

Huddly IQ Collaboration Camera

Model	Huddly IQ
Field of View	150° diagonal, 120° horizontal, 90° vertical
Connectivity	Plug-and-play USB 3.1
Resolution/FPS	HD 1080p @ 30 fps
Dimensions	Height: 1.40 in. (36 mm) Width: 1.60 in. (41 mm) Depth: 2.82 in. (72 mm)
Weight	4.2 oz (120 g)

Refer to the [CCS-CAM-USB-F-400](#) specifications for additional information.

HDMI over CATx Receiver

Video Output Signal Types	HDMI (DVI-compatible ⁵)
Audio Output Signal Types	HDMI
Communications	Ethernet: 100 Mbps pass-through; USB: USB 2.0 pass-through for camera; RS-232: 2-way serial pass-through up to 115.2k baud (Transmit Data/Receive Data only); IR: IR signal pass-through up to 60 kHz; HDMI: HDCP 2.2, EDID, CEC pass-through HDMI over CATx ⁴ : HDCP 2.2, EDID, Ethernet, CEC/IR/RS-232
Power Pack (included)	Input: 0.8 A (maximum) @ 100-240 VAC, 50/60 Hz; Output: 1.25 A @ 24 VDC; Model: PW-2412WU
Dimensions	Height: 4.47 in. (114 mm) Width: 9.61 in. (244 mm) Depth: 0.99 in. (25 mm)
Weight	1.71 lb (776 g)

Refer to the [HD-RX-USB-2000-C](#) specifications for additional information.

Model

CCS-UC-1-X KIT

Crestron Mercury® X Tabletop UC Video Conference System

Available Accessories

AM-USB-WIFI

AirMedia® USB Adapter with Wi-Fi® Connectivity

AM-USB-WIFI-I

AirMedia® USB Adapter with Wi-Fi® Connectivity, International

CBL-MULTI-6

Crestron Mercury® HD Video Cable System, with 6 ft (1.83 m) Cables

CBL-MULTI-12

Crestron Mercury® HD Video Cable System, with 12 ft (3.6 m) Cables

CCS-UCA-MIC KIT

Microphone Pods, Set of 2

CCS-UCA-SMK

Swivel Mount Kit

CCS-WB-1

Crestron AirBoard™ Whiteboard Capture System

SW-FUSION-C-3

Crestron Fusion® Cloud; 250 rooms; 3-year service, support, and updates

SW-FUSION-P-L

Crestron Fusion® On-premises; Unlimited rooms; lifetime service, support, and updates

SW-HS-x-C

Crestron Fusion® Cloud Room Scheduling; 1-year, 3-year, or lifetime service, support, and updates for one touch screen

SW-HS-x-P

Crestron Fusion® On-premises Room Scheduling; 1-year, 3-year, or lifetime service, support, and updates for one touch screen

SW-XIOC-API

XiO Cloud® Provisioning and Management Service, REST API License

SW-XIOC-EM

XiO Cloud® Provisioning and Management Service, Endpoint Management License

SW-XIOC-S

XiO Cloud® Provisioning and Management Service, Support License

CCS-UC-1-X KIT

Crestron Mercury® X Tabletop UC Video Conference System

Notes:

1. Display must support "Wake on Sync" and "Sleep on No Sync" functionality. Consult the display manufacturer's specifications or internal settings of the specific display.
2. AirMedia wireless presentation requires a wired network connection between the Crestron Mercury console and an external Wi-Fi wireless access point (not included). Laptops may alternately connect to AirMedia using a wired Ethernet connection. Full-motion video performance is dependent upon the performance of the network and the sending device. Computer client software and mobile device apps are available for download at www.crestron.com/airmedia.
3. This feature is not utilized as part of the CCS-UC-1-X KIT, but can be enabled from the XiO Cloud service.
4. CAT5e or better.
5. Requires [CBL-HD-DVI](#) interface cable (sold separately).

This product may be purchased from select authorized Crestron dealers and distributors. To find a dealer or distributor, please contact the Crestron sales representative for your area. A list of sales representatives is available online at www.crestron.com/How-To-Buy/Find-a-Representative or by calling 855-263-8754.

This product is covered under the Crestron standard limited warranty. Refer to www.crestron.com/warranty for full details.

The specific patents that cover Crestron products are listed online at patents.crestron.com.

Certain Crestron products contain open source software. For specific information, please visit www.crestron.com/opensource.

Crestron, the Crestron logo, AirMedia, Crestron AirBoard, Crestron Fusion, Crestron Mercury, and XiO Cloud are either trademarks or registered trademarks of Crestron Electronics, Inc. in the United States and/or other countries. Bluetooth is either a trademark or registered trademark of Bluetooth SIG, Inc. in the United States and/or other countries. Cisco Webex is either a trademark or registered trademark of Cisco Technology, Inc. in the United States and/or other countries. GotoMeeting is either a trademark or registered trademark of Citrix Online, LLC in the United States and/or other countries. TrueVoice is either a trademark or registered trademark of Google Inc. in the United States and/or other countries. HDMI is either a trademark or registered trademark of HDMI Licensing LLC in the United States and/or other countries. Huddly IQ is either a trademark or registered trademark of Huddly AS in the United States and/or other countries. Active Directory, Microsoft, Microsoft Teams, and Skype are either trademarks or registered trademarks of Microsoft Corporation in the United States and/or other countries. Slack is either a trademark or registered trademark of Slack Technologies, Inc. in the United States and/or other countries. USB Type-C is either a trademark or registered trademark of USB Implementers Forum, Inc. in the United States and/or other countries. DisplayPort is either a trademark or registered trademark of Video Electronics Standards Association in the United States and/or other countries. Wi-Fi is either a trademark or registered trademark of Wi-Fi Alliance in the United States and/or other countries. Zoom Rooms is either a trademark or registered trademark of Zoom Video Communications, Inc. in the United States and/or other countries. Other trademarks, registered trademarks, and trade names may be used in this document to refer to either the entities claiming the marks and names or their products. Crestron disclaims any proprietary interest in the marks and names of others. Crestron is not responsible for errors in typography or photography.

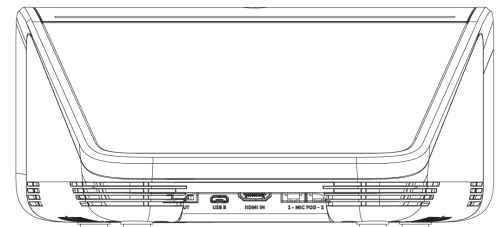
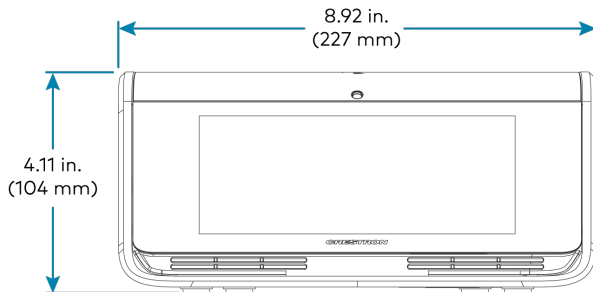
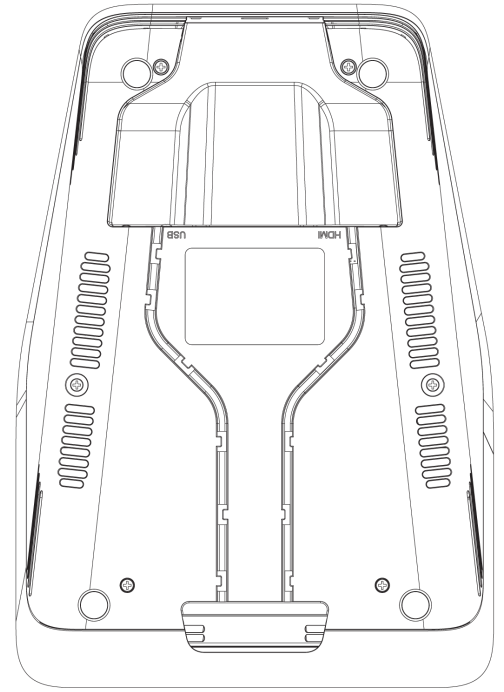
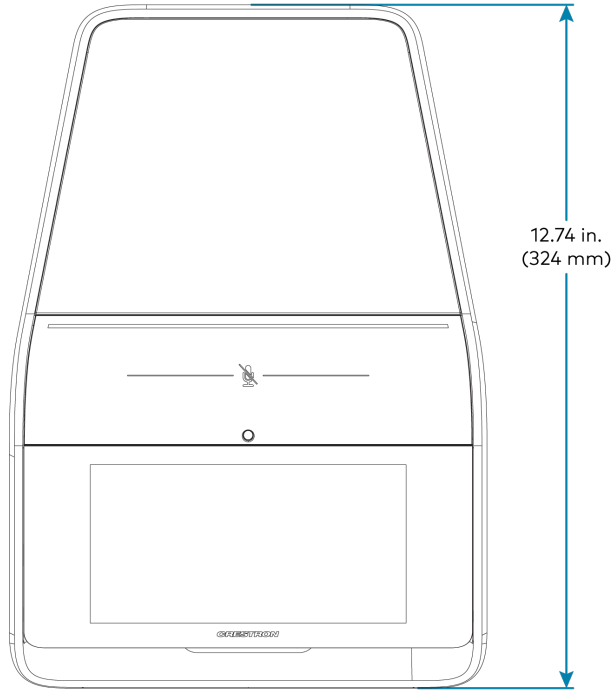
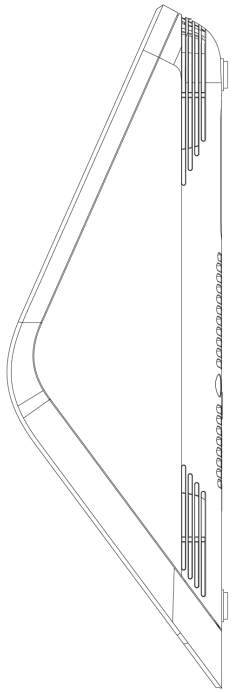
Specifications are subject to change without notice.

©2021 Crestron Electronics, Inc.
Rev 10/13/21

CCS-UC-1-X KIT

Crestron Mercury® X Tabletop UC Video Conference System

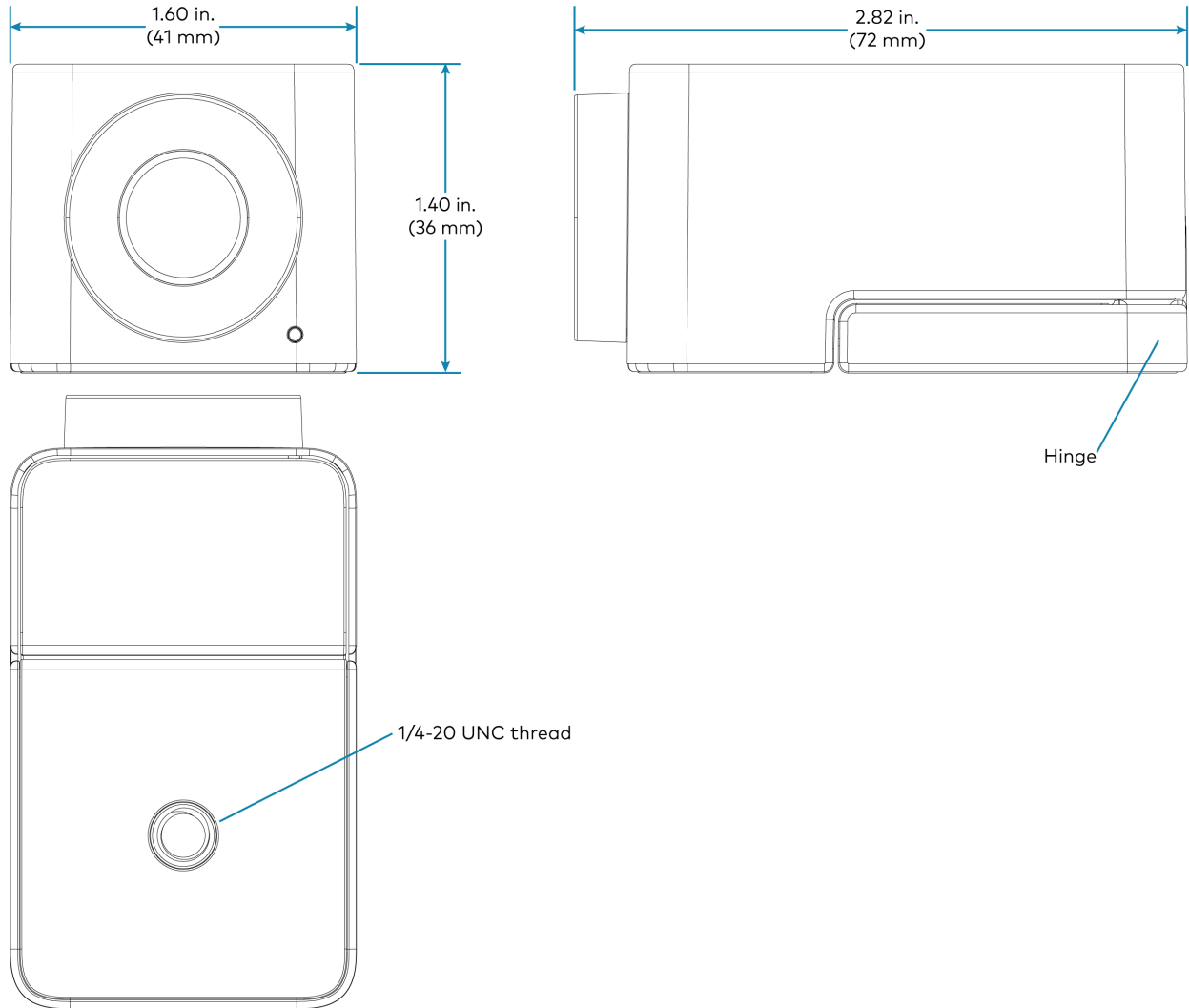
CCS-UC-1-X



CCS-UC-1-X KIT

Crestron Mercury® X Tabletop UC Video Conference System

CCS-CAM-USB-F-400



CCS-UC-1-X KIT

Crestron Mercury® X Tabletop UC Video Conference System

HD-RX-USB-2000-C

