

DIN-EN-MMOE and DIN-EN-MMP

DIN Rail Enclosures, Rough-In/Lay-In, 18 M Wide Rails

- *DIN rail enclosure for Crestron® DIN devices*
- *Two-stage installation*
- *Rough-in enclosure for prewiring (-MMOE)*
- *Lay-in panel for preinstalled equipment housing (-MMP)*
- *Available with 3 or 6 DIN rails, 18 M wide*
- *Removable front cover for easy device access*
- *UL® Listed*

The Crestron® DIN-EN-MMOE and DIN-EN-MMP are UL® Listed enclosures and lay-in panels that offer two-stage installation to protect against equipment damage during rough-in work. When assembled, the devices provide centralized mounting solutions for DIN rail products such as the [DIN-AP3](#), [DIN-DALI-2](#), and [DIN-1DIMU4](#). Third-party DIN devices can also be installed.

Two Stage Installation

Two-stage installation ensures that delicate equipment is not disturbed or damaged during construction and prewiring. In a two-stage installation, the rough-in enclosure ([DIN-EN-3X18-MMOE](#), [DIN-EN-6X18-MMOE](#)) is ordered and installed in advance of the lay-in panel ([DIN-EN-3X18-MMP](#), [DIN-EN-6X18-MMP](#)), allowing time for prewiring and rough-in work. The lay-in panel is then delivered with all of the DIN rail products preinstalled. Install the lay-in panel into the rough-in enclosure to complete the installation.

DIN Rail Mounting

Crestron DIN-EN-MMP lay-in panels utilize 18 M wide DIN rails. When the panel is installed into a DIN-EN-MMOE, 1 M (18 mm) of extra space between the end of the rail and the enclosure wall is available to provide room for DIN device locking blocks or for wiring along the sides of the enclosure. Each panel is available in two sizes to accommodate three or six DIN rails.

Specifications

DIN Rail Detail

DIN-EN-3X18-MMP	(3) 342 mm x 35 mm rails
DIN-EN-6X18-MMP	(6) 342 mm x 35 mm rails

Environmental

Temperature	32° to 104° F (0° to 40° C)
Humidity	10% to 90% RH (noncondensing)

Construction

Enclosure	16-gauge galvanized steel
Cover	16-gauge galvanized steel; Gray powder coat finish
Mounting	Surface wall mount

Dimensions

DIN-EN-3X18-MMOE	Height: 23.50 in. (597 mm); Width: 14.38 in. (366 mm); Depth: 4.44 in. (113 mm)
DIN-EN-6X18-MMOE	Height: 38.88 in. (989 mm); Width: 14.38 in. (366 mm); Depth: 4.44 in. (113 mm)

Weight

DIN-EN-3X18-MMOE	19.0 lb (8.61 kg)
DIN-EN-3X18-MMP	6.0 lb (2.72 kg)
DIN-EN-6X18-MMOE	28.0 lb (12.68 kg)
DIN-EN-6X18-MMP	10.5 lb (4.76 kg)

Compliance

UL Listed

Models

DIN-EN-3X18-MMOE
Rough-In Enclosure for DIN-EN-3X18-MMP

DIN-EN-3X18-MMP
Lay-In Panel, 3 DIN Rails, 18 M Wide

DIN-EN-6X18-MMOE
Rough-In Enclosure for DIN-EN-6X18-MMP

DIN-EN-6X18-MMP
Lay-In Panel, 6 DIN Rails, 18 M Wide

DIN-EN-MMOE and DIN-EN-MMP

DIN Rail Enclosures, Rough-In/Lay-In, 18 M Wide Rails

This product may be purchased from select authorized Crestron dealers and distributors. To find a dealer or distributor, please contact the Crestron sales representative for your area. A list of sales representatives is available online at www.crestron.com/How-To-Buy/Find-a-Representative or by calling 855-263-8754.

This product is covered under the Crestron standard limited warranty. Refer to www.crestron.com/warranty for full details.

The specific patents that cover Crestron products are listed online at patents.crestron.com.

Certain Crestron products contain open source software. For specific information, please visit www.crestron.com/opensource.

Crestron and the Crestron logo are either trademarks or registered trademarks of Crestron Electronics, Inc. in the United States and/or other countries. UL is either a trademark or registered trademark of Underwriters Laboratories, Inc. in the United States and/or other countries. Other trademarks, registered trademarks, and trade names may be used in this document to refer to either the entities claiming the marks and names or their products. Crestron disclaims any proprietary interest in the marks and names of others. Crestron is not responsible for errors in typography or photography.

Specifications are subject to change without notice.

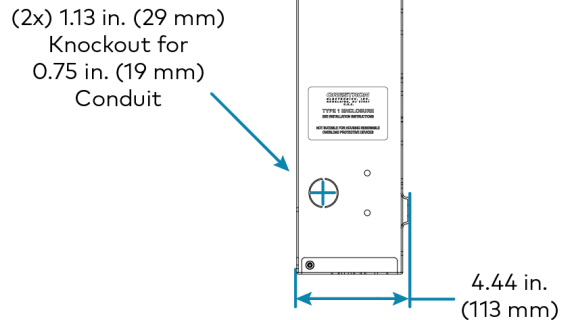
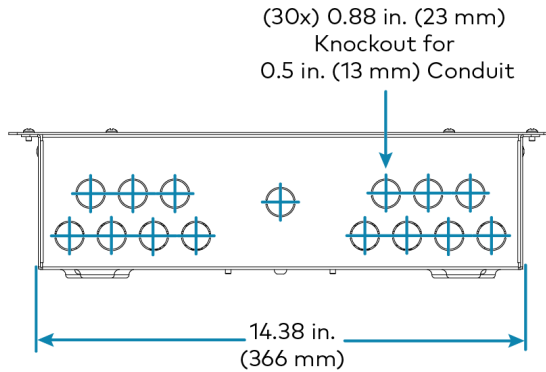
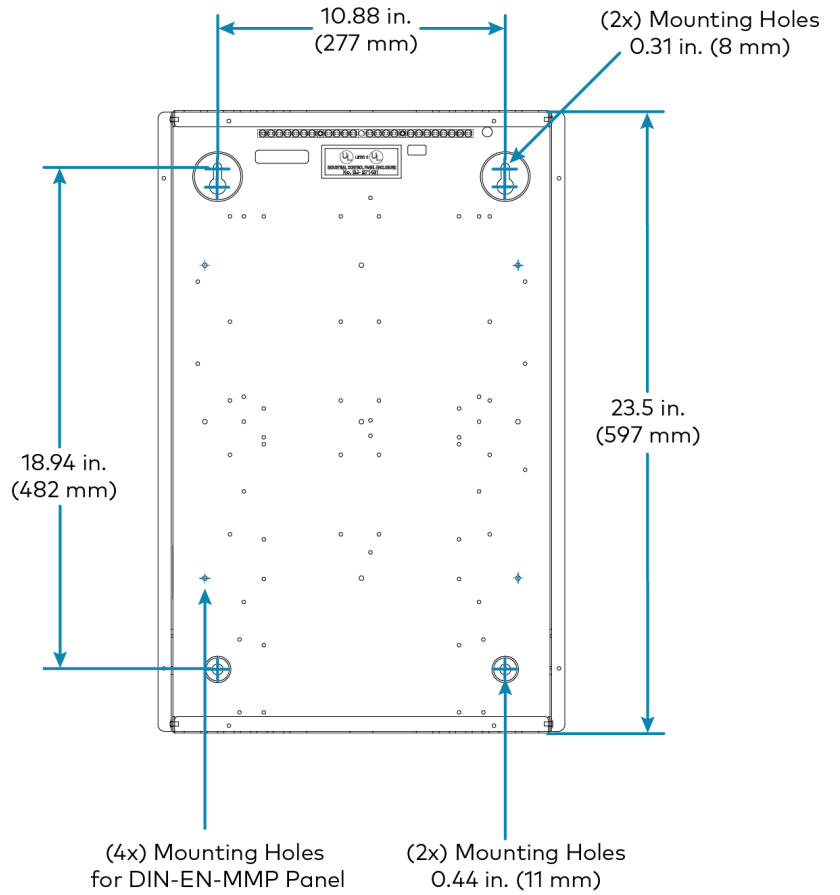
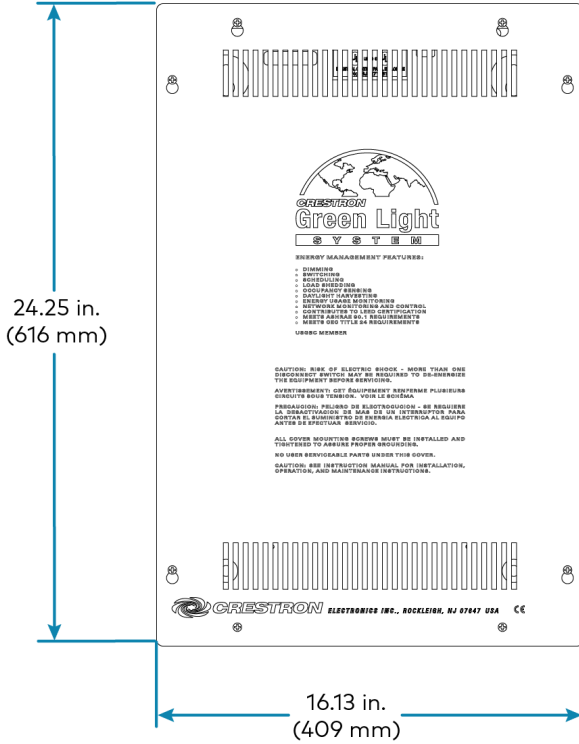
©2019 Crestron Electronics, Inc.

Rev 12/16/19

DIN-EN-MMOE and DIN-EN-MMP

DIN Rail Enclosures, Rough-In/Lay-In, 18 M Wide Rails

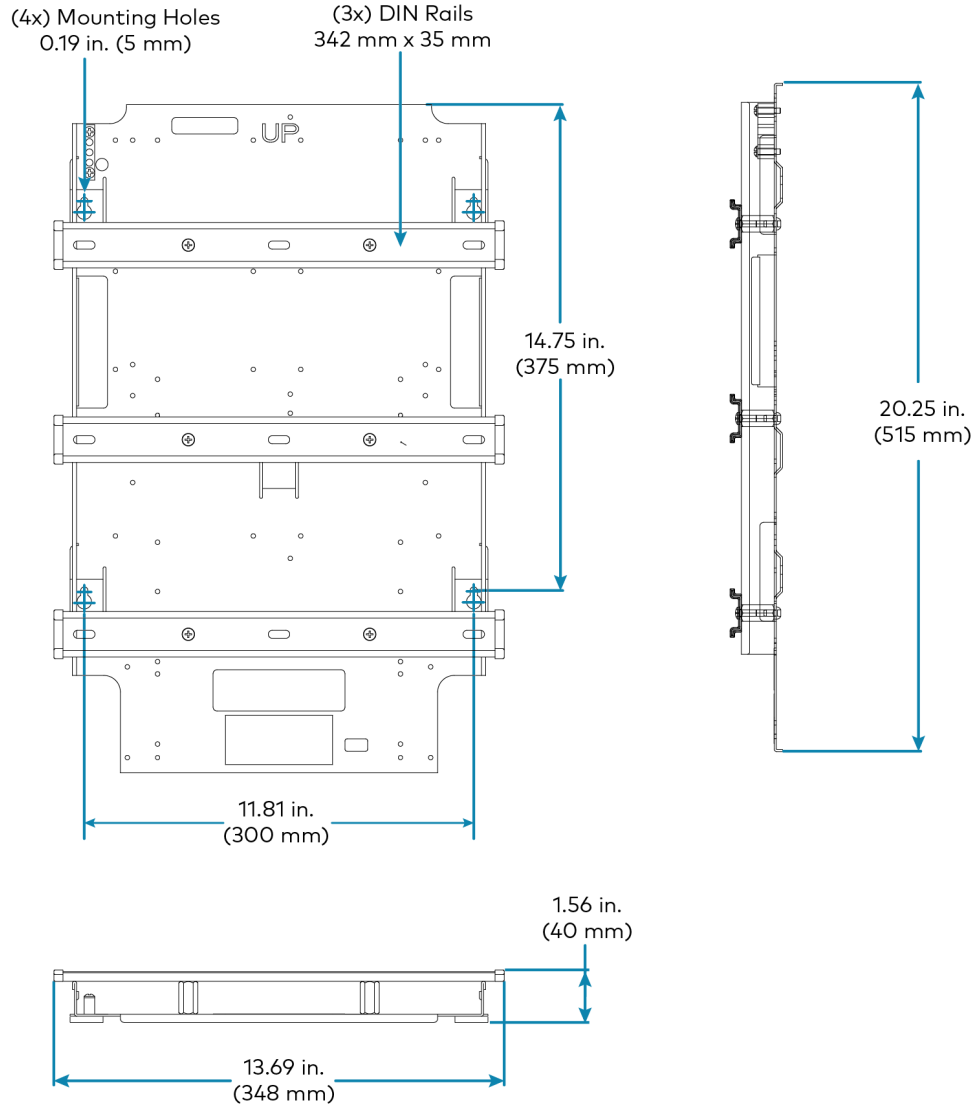
DIN-EN-3X18-MMOE



DIN-EN-MMOE and DIN-EN-MMP

DIN Rail Enclosures, Rough-In/Lay-In, 18 M Wide Rails

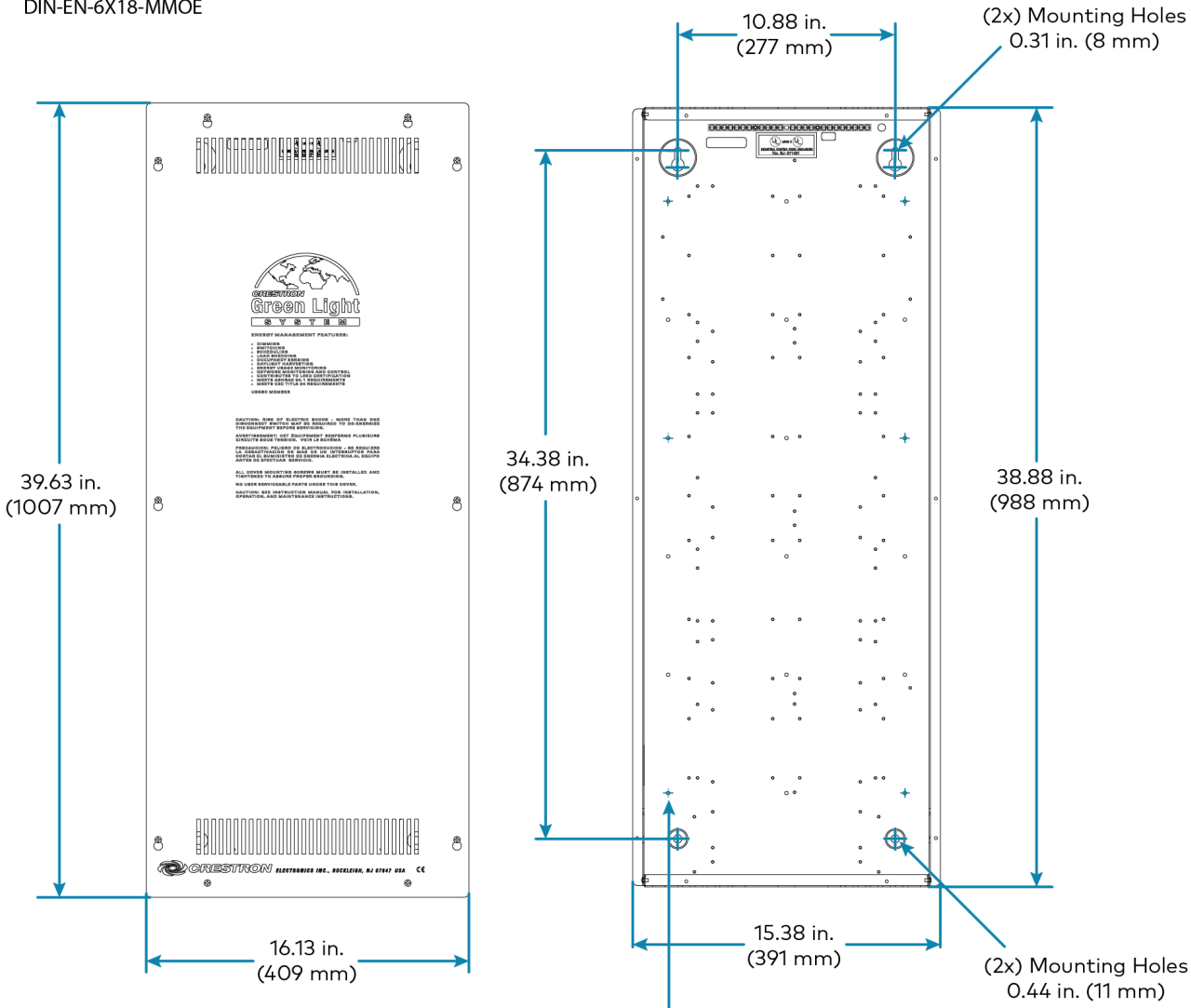
DIN-EN-3X18-MMP



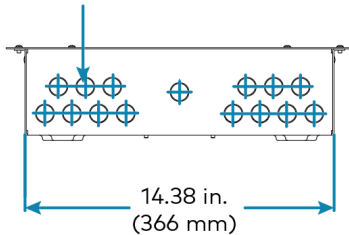
DIN-EN-MMOE and DIN-EN-MMP

DIN Rail Enclosures, Rough-In/Lay-In, 18 M Wide Rails

DIN-EN-6X18-MMOE



(30x) 0.88 in. (23 mm)
Knockout for
0.5 in. (13 mm) Conduit



(6x) Mounting Holes
for DIN-EN-MMP Panel

(2x) 1.13 in. (29 mm)
Knockout for
0.75 in. (19 mm)
Conduit

4.44 in.
(113 mm)

DIN-EN-MMOE and DIN-EN-MMP

DIN Rail Enclosures, Rough-In/Lay-In, 18 M Wide Rails

DIN-EN-6X18-MMP

