

ASPIRE_IC6DT

Aspire® 6.5" 2-Way Single-Point Stereo In-Ceiling Speaker

DO Install the Speaker

Determine Placement in the Room

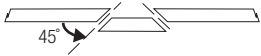
Speaker placement is largely a matter of personal preference. However, placing the speaker near a corner or wall will extend its low frequency response.

Prepare Mounting Holes

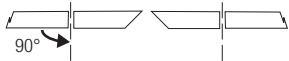
Before finalizing the speaker location, check to make sure there are no fixtures, pipes, air ducts, joists, or other possible obstructions. Use a good quality stud finder to locate joists.

If there is no access to the area above the ceiling, and you are unable to ensure that there are no obstructions, carefully drill a small hole just through the ceiling near the middle of the proposed speaker location(s), and use one of the commercially available inspection devices designed for this purpose, or do one of the following:

- Use a piece of stiff wire, bent into an "L" shape, with one end long enough to explore an area equal to the size of the speaker with the toggle clamps extended. Insert the wire into the hole, making sure that it rotates freely in a complete circle and that there is sufficient depth,
- or
- Use a drywall saw to cut a small hole at a 45° angle toward the inside of the hole. An angle



cut simplifies repair, since the removed piece can be reinserted to help plug the hole.



If there are no obstructions, use the supplied template to trace outlines of the mounting holes on the ceiling. Cut the final mounting holes at a 90° angle to the ceiling.

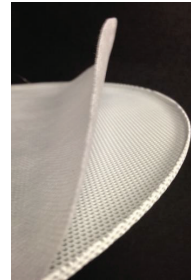
DO Check the Box

QTY	PRODUCT	COLOR	PART NUM.
1	Grille, Speaker	White	2044927
1	Template, Cutout		2044903

Paint the Speaker Grilles

Speaker grille painting should be done prior to mounting.

1. Carefully remove the material on the underside of the grilles and set them aside for reinstallation. It may be necessary to use a knife or other sharp instrument to free an edge of the material so it can be peeled away. Use care to avoid cutting or tearing the material.



2. Dry brush or lightly spray the surface to be painted. Use care to avoid clogging the holes in the grilles.
3. Once the paint is dry, reinstall the material to the underside.

Install Cables

Run the cables from the audio source to the speaker location following all appropriate local codes. Strip the ends of the speaker cable wires 1/4" to 1/2" (6 mm to 12 mm) and twist the exposed strands.



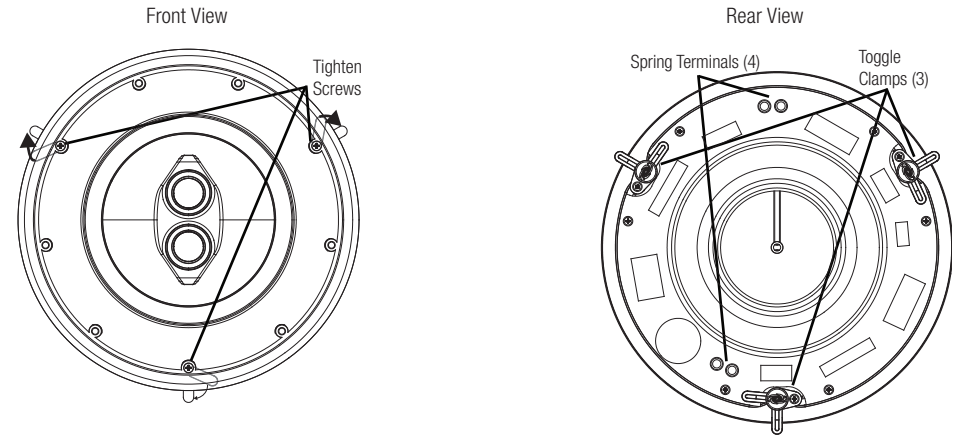
Mount/Remove Speakers

The in-ceiling speakers include three toggle clamps that simplify the mounting process. If the grilles are mounted on the speakers, remove them before proceeding. (Refer to “Install/Remove Grille.”)

1. Connect the speaker cable wires to the spring terminals by pressing the top of the terminals down and inserting the exposed strands into the hole. Make sure that the left and right channels are connected to the speaker 1 and speaker 2 terminals, respectively, and that the + wires go to the + (red-coded) terminals and the – wires go to the – (black-coded) terminals.
2. With the toggle clamps turned inward, insert the speaker into the opening. As the three screws on the front of the speaker are tightened, the toggle clamps first rotate into clamping position (refer to the figure to the right) and then begin holding the speaker to the ceiling. Tighten the screws until the speaker is secured; do not overtighten.
3. Speaker removal is accomplished by reversing the procedures given in steps 1 and 2 above.
 - a. Loosen the front screws to unclamp the speaker. Continue to loosen the screws until the toggle clamps rotate inward.
 - b. When the speaker is loose, carefully remove it from the opening.
 - c. Disconnect the wires from the terminals.

Install/Remove Grille

The zero-bezel frameless grille is held in place by powerful magnets. To remove the grille, grip the edges and pull away from the speaker.



DO Learn More

Visit the website for additional information and the latest firmware updates. To learn more about this product, use a QR reader application on your mobile device to scan the QR image.

Crestron Electronics
15 Volvo Drive, Rockleigh, NJ 07647
888.CRESTRON | www.crestron.com



CE As of the date of manufacture, the product has been tested and found to comply with specifications for CE marking.

Federal Communications Commission (FCC) Compliance Statement

This device complies with part 15 of the FCC Rules. Operation is subject to the following two conditions:

(1) This device may not cause harmful interference, and (2) this device must accept any interference received, including interference that may cause undesired operation.

CAUTION: Changes or modifications not expressly approved by the manufacturer responsible for compliance could void the user's authority to operate the equipment.

NOTE: This equipment has been tested and found to comply with the limits for a Class B digital device, pursuant to part 15 of the FCC Rules. These limits are designed to provide reasonable protection against harmful interference in a residential installation. This equipment generates, uses and can radiate radio frequency energy and, if not installed and used in accordance with the instructions, may cause harmful interference to radio communications. However, there is no guarantee that interference will not occur in a particular installation.

If this equipment does cause harmful interference to radio or television reception, which can be determined by turning the equipment off and on, the user is encouraged to try to correct the interference by one or more of the following measures:

- Reorient or relocate the receiving antenna.
- Increase the separation between the equipment and receiver.
- Connect the equipment into an outlet on a circuit different from that to which the receiver is connected.
- Consult the dealer or an experienced radio/TV technician for help.

Industry Canada (IC) Compliance Statement

CAN ICES-3(B)/NMB-3(B)

Crestron product development software is licensed to Crestron dealers and Crestron Service Providers (CSPs) under a limited non-exclusive, non-transferable Software Development Tools License Agreement. Crestron product operating system software is licensed to Crestron dealers, CSPs, and end-users under a separate End-User License Agreement. Both of these Agreements can be found on the Crestron website at www.crestron.com/legal/software_license_agreement.

The specific patents that cover Crestron products are listed at patents.crestron.com.

The product warranty can be found at www.crestron.com/warranty.

Certain Crestron products contain open source software. For specific information, please visit www.crestron.com/opensource.

Crestron, the Crestron logo, and Aspire are either trademarks or registered trademarks of Crestron Electronics, Inc. in the United States and/or other countries. Other trademarks, registered trademarks, and trade names may be used in this document to refer to either the entities claiming the marks and names or their products. Crestron disclaims any proprietary interest in the marks and names of others. Crestron is not responsible for errors in typography or photography.

This document was written by the Technical Publications department at Crestron.

©2015 Crestron Electronics, Inc.