

REFERENCE OD4.1-4-S10-BRZ-T KIT

Reference 4.1 Landscape Solution, Bronze Textured, Four 4 in. Satellites, One 10 in. Subwoofer



- 4.1 kit includes 4 weatherproof 2-way outdoor satellite speakers and an in-ground subwoofer
- 4 x Satellite Speakers: 4 in. (102 mm) polypropylene woofer and 0.75 in. (19 mm) PEI mylar tweeter
- 1 x Subwoofer: 10 in. (254 mm) polypropylene woofer
- IPX6 waterproof rating
- Satellite speakers are designed for landscape and wall mount applications
- Coaxial satellite speakers for wide dispersion over a larger listening area
- Subwoofer enclosure constructed of rugged poly composite PVC
- 8 Ohms nominal impedance
- 120 W (Program), and 240 W (Peak) power handling
- 35 Hz to 20 kHz (± 3 dB) frequency response
- 1500 sq ft area coverage

The Crestron® REFERENCE OD4.1-4-S10-BRZ-T KIT landscape solution made by Origin Acoustics provides the full impact of your music outdoors with tremendous coverage, excellent stereo imaging, and rich deep bass.

The 4.1 kit includes 4 weatherproof 2-way outdoor satellite speakers and an in-ground subwoofer. The satellite outdoor speakers are designed to be staked directly into the ground or mounted to an exterior wall, fence post, or tree. The satellite speakers feature a 4 in. (102 mm) polypropylene woofer with a coaxially mounted 0.75 in. (19 mm) PEI mylar tweeter for crisp highs with consistent coverage across a wide listening area.

The subwoofer's compact and watertight enclosure installs beneath the ground's surface, affording a virtually hidden appearance with just the vents visible. The vents protrude 2.5 in. (64 mm) from the ground. The passive subwoofer employs a 10 in. (254 mm) woofer for tight, controlled bass. Power handling is 120 W (Program), and 240 W (Peak) at 8 Ohms, with a frequency response of 35 Hz to 20 kHz (± 3 dB).

Each satellite speaker includes a 32.5 in. (826 mm) direct-burial 2-conductor speaker wire. The subwoofer includes a 39.5 in. (1003 mm) direct-burial 4-conductor speaker wire that is permanently attached to the speaker enclosure. A suitable in-ground electrical box (not included) is advised for the termination of the speaker wiring. It includes one pair of silicone filled waterproof wire nuts for each satellite speaker and two pairs for the subwoofer to terminate the bare wire ends.

The following accessories are available for the satellite speakers:

- 12.43 in. (316 mm) ground stake (included) to mount and install the speaker directly into the ground
- 17.72 in. (450 mm) ground stake ([SPKA-STAKE-OD-18](#))
- Tree or surface mount bracket ([SPKA-SMK/TREEMK-REFERENCE-OD4](#)) to mount the speaker to an exterior wall, fence post, or tree.

NOTE: The [SPKA-STAKE-OD-18](#) and [SPKA-SMK/TREEMK-REFERENCE-OD4](#) are not included.

REFERENCE OD4.1-4-S10-BRZ-T KIT

Reference 4.1 Landscape Solution, Bronze Textured, Four 4 in. Satellites, One 10 in. Subwoofer

Specifications

Features & Performance

Woofers	4 x 4 in. (102 mm) polypropylene woofer and 1 x 10 in. (254 mm) polypropylene woofer
Tweeter	4 x 0.75 in. (19 mm) PEI mylar tweeter
Crossover	100 Hz
Crossover Point	2.5 kHz
Impedance	Kit 8 Ohms Nominal
Frequency Response	Kit 35 Hz to 20 kHz (± 3 dB)
Frequency Range	Satellite Speaker: 90 Hz to 20 kHz (± 10 dB); Subwoofer: 35 Hz to 150 Hz (± 10 dB)
Power Handling	Program: 120 W; Peak: 240 W
Sensitivity	87 dB @ 1 W/1 M
Coverage	1500 sq ft.

Connections

Input	(1) 32.5 in. (826 mm) attached direct-burial 2-conductor speaker wire per satellite speaker; (1) 39.5 in. (1003 mm) attached direct-burial 4-conductor speaker wire for the subwoofer; Includes one pair of silicone filled waterproof wire nuts for each satellite speaker and two pairs for the subwoofer
Wire Gauge	(2) 12 AWG (4 mm ²)

Environmental

Temperature	4° to 176°F (-15.5° to 80°C)
Humidity	10% to 95% RH (non-condensing)
Splash Resistance	IPX6 waterproof

Construction

Satellite Speaker	Enclosure: Color-molded composite; Baffle: UV treated HDPE; Grille: Electroplated and powder coated steel; Mounting: Ground stake, tree, fence post or surface mount
Subwoofer	Enclosure: Rugged poly composite PVC; In-Ground Installation: Designed for direct-burial in soil with good drainage

Dimensions

Satellite Speaker	Height: 18.02 in. (458 mm); Width: 5.76 in. (147 mm); Depth: 7.05 in. (180 mm)
Subwoofer	Height: 12.84 in. (326 mm); Width: 15.75 in. (400 mm)

Weight

Satellite Speaker	3 lb (1.36 kg)
Subwoofer	23.5 lb (10.65 kg)

Compliance

Regulatory Model: M202046016

RoHs, FCC Part 15 Class B digital device

Model

REFERENCE OD4.1-4-S10-BRZ-T KIT

Reference 4.1 Landscape Solution, Bronze Textured, Four 4 in. Satellites, One 10 in. Subwoofer

This product may be purchased from select authorized Crestron dealers and distributors. To find a dealer or distributor, please contact the Crestron sales representative for your area. A list of sales representatives is available online at www.crestron.com/How-To-Buy/Find-a-Representative or by calling 855-263-8754.

This product is covered under the Crestron standard limited warranty. Refer to www.crestron.com/warranty for full details.

The specific patents that cover Crestron products are listed online at patents.crestron.com.

Certain Crestron products contain open source software. For specific information, please visit www.crestron.com/opensource.

Crestron and the Crestron logo are either trademarks or registered trademarks of Crestron Electronics, Inc. in the United States and/or other countries. Origin Acoustics is either a trademark or a registered trademark of Origin Acoustics, Inc. in the United States and/or other countries. Other trademarks, registered trademarks, and trade names may be used in this document to refer to either the entities claiming the marks and names or their products. Crestron disclaims any proprietary interest in the marks and names of others. Crestron is not responsible for errors in typography or photography.

Specifications are subject to change without notice.

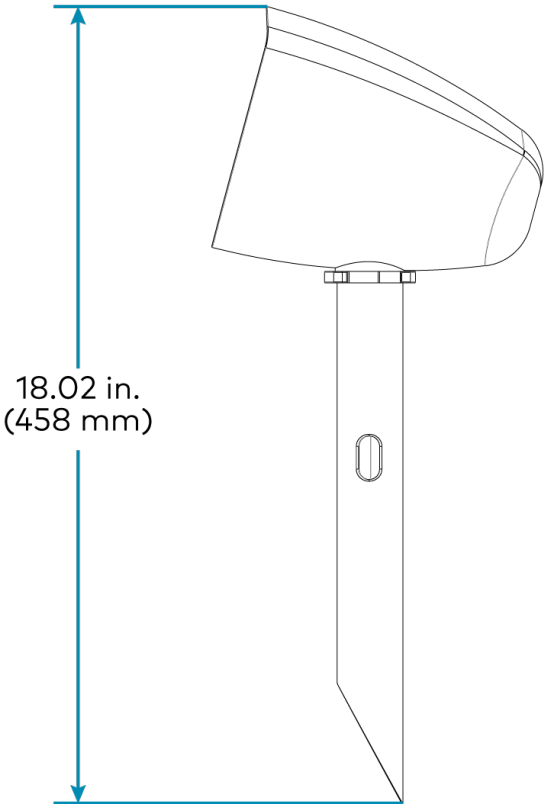
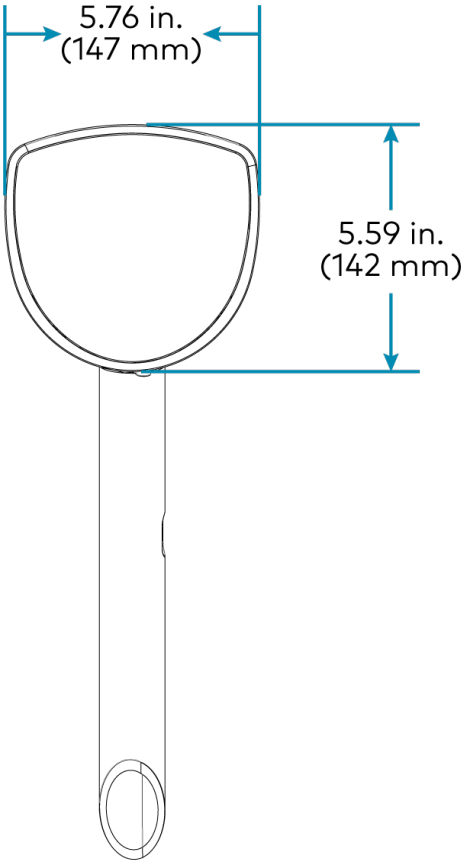
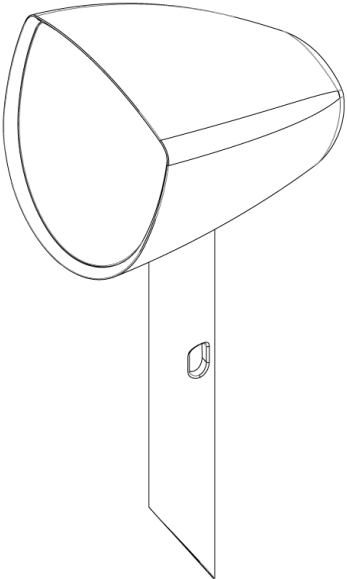
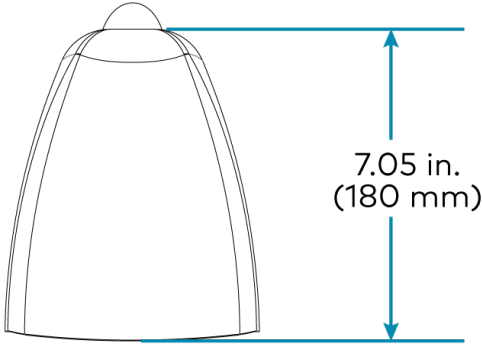
©2021 Crestron Electronics, Inc.

Rev 07/25/21

REFERENCE OD4.1-4-S10-BRZ-T KIT

Reference 4.1 Landscape Solution, Bronze Textured, Four 4 in. Satellites, One 10 in. Subwoofer

Satellite Speaker



REFERENCE OD4.1-4-S10-BRZ-T KIT

Reference 4.1 Landscape Solution, Bronze Textured, Four 4 in. Satellites, One 10 in. Subwoofer

Subwoofer

