

# Wall Plate Media Center Microphone Input: QM-WMIC

---

## Purpose

The purpose of this addendum is to provide additional information not supplied with the original QM-WMIC Operations & Installation Guide (Doc. 6245). Specifically, this addendum provides additional information with regard to grounding instructions.

---

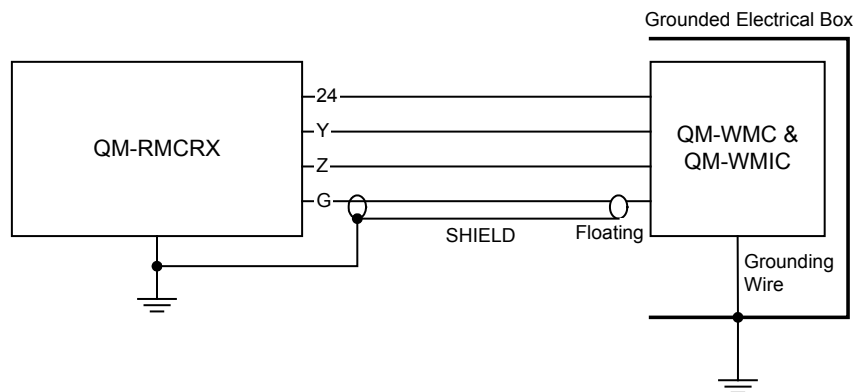
## Grounding Instructions

The installation instructions for the QM-WMIC shown on page 9 are missing diagrams that illustrate the suggested grounding methods when installing a QM-WMIC. The text and graphics shown below provide better explanation for suitable grounding methods in step 5.

### *Revised Suggestions for Proper Grounding of QM-WMIC*

- Connect the grounding wires as shown in the following diagram, to the electrical box (the electrical box must be earth grounded) or a ground wire in the electrical box.

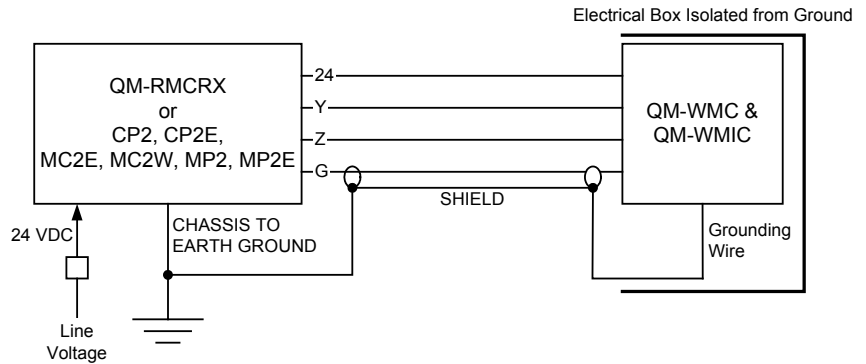
### *Grounding QM-WMIC to Grounded Electrical Box*



OR

- Connect the ground wires to the Cresnet shield and connect the Cresnet shield at the QM-RMCRX to the chassis of the QM-RMCRX as shown in the following diagram. The QM-RMCRX chassis must be connected to an earth ground. In this instance, the Cresnet shield is not connected to Cresnet ground.

**Grounding QM-WMIC Using Cresnet Shield to Grounded Chassis**



**NOTE:** When the Cresnet shield is used to connect the QM-WMIC to the Cresnet ground terminal of a PRO2, PAC2, AV2, or any other 2-Series control system whose chassis is already earth grounded, the grounding wire from the control system to earth ground is unnecessary (as shown in the following diagram).

**Grounding QM-WMIC Using Cresnet Shield to Grounded Chassis**

