



View this document in HTML
crestron.com/docs/7920



Design Guide

Crestron Shading Solutions

Roller Shade and Drapery Track Systems

Original Instructions

The U.S. English version of this document is the original instructions.

All other languages are a translation of the original instructions.

Crestron product development software is licensed to Crestron dealers and Crestron Service Providers (CSPs) under a limited nonexclusive, nontransferable Software Development Tools License Agreement. Crestron product operating system software is licensed to Crestron dealers, CSPs, and end-users under a separate End-User License Agreement. Both of these Agreements can be found on the Crestron website at www.crestron.com/legal/software_license_agreement.

The product warranty can be found at www.crestron.com/warranty.

The specific patents that cover Crestron products are listed at www.crestron.com/legal/patents.

Certain Crestron products contain open source software. For specific information, visit www.crestron.com/opensource.

Crestron, the Crestron logo, Cresnet, infiNET EX, QMT, and Quiet Motor Technology are either trademarks or registered trademarks of Crestron Electronics, Inc. in the United States and/or other countries. PANTONE is either a trademark or a registered trademark of Pantone, Inc. in the United States and/or other countries. Other trademarks, registered trademarks, and trade names may be used in this document to refer to either the entities claiming the marks and names or their products. Crestron disclaims any proprietary interest in the marks and names of others. Crestron is not responsible for errors in typography or photography.

©2024 Crestron Electronics, Inc.

Contents

- Crestron Shading Solutions 6**
 - Roller Shade and Drapery Track Systems 6
 - Purpose of This Guide 6
 - Features 7
 - Daylight Control 7
 - Security and Privacy 7
 - Quiet Shade Motors 7
 - Brushless Motor Technology 7
 - Easy Installation 7
 - Right Size Guarantee 7
 - Crestron Shading Solutions Limited Warranty 7
 - Design Resources 8
 - Crestron Design Tool Shades (CDTS) Software 8
 - Hardware Sample Case 8
 - Crestron Shade Fabrics 8
- Crestron Roller Shades 10**
 - Crestron Roller Shade Options 11
 - Digital QMT Roller Shade Motors 14
 - 3/4 Nm Motors 14
 - 4 Nm Motors 15
 - Manual Clutch 16
 - Roller Shade Mounting Brackets 17
 - QMT3 Series Architectural Brackets 17
 - QMT5 Series Architectural Brackets 18
 - QMT3 Series Décor Brackets 19
 - QMT5 Series Décor Brackets 20
 - Roller Shade Tube Options 22
 - Roller Shade Mounting Options 23
 - Inside Mount 23
 - Outside Mount 24
 - Pocket Mount 24
 - Roller Shade Accessories 25
 - Blackout Accessories 25
 - Fascia Options 26
 - End Cap Options 27
 - Top and Back Cover 27
 - Pocket 27
 - Roller Shade Fabrics and Textiles 29
 - Fabric Characteristics 29
 - Fenestration Data 29
 - Hem Bar Styles 30

Fabric Railroading	31
Specialty Roller Shades	33
Battery-Powered Shades	33
Crestron Horizontal Sheers	34
Roman Shades	34
Cable Guided Shades	35
Roller Shade Measuring Guidelines	36
How to Measure Single Roller and In-Line Coupled Roller Shades	36
How to Measure Angled Coupled Shades	37
Installation Dimensions	38
QMT3 Series Architectural Brackets	38
QMT5 Series Architectural Brackets	42
QMT3 Series Décor Bracket	44
QMT5 Series Décor Brackets	44
Creating Custom Pockets for QMT3 Series Architectural Brackets	45
Creating Custom Pockets for QMT5 Series Architectural Brackets	47
Crestron Drapery Track	49
Determining the Proper Drapery Track System	50
Mounting Options	51
Ceiling Mount	51
Wall Bracket	51
Pocket Mount	52
Arm Types	53
Splicing	54
Track Styles	55
Straight Track	55
Bent Track	55
Curved Track	57
Fabric Types	58
Pinch Pleat	58
Ripplefold	58
Draw Types	59
Measuring Guidelines	61
Dimensions	62
Arm Dimensions	62
Drapery Track Ceiling Mount Configurations	64
Drapery Track Wall Mount Configurations	68
Designing and Specifying	72
Programming	73
Wiring and Power	74
Wiring	74
Power Supplies	74

Single-Motor Power Supply	74
Ten-Motor Power Supply	75
Ordering Guidelines	76
Installation Guidelines	77
Shipping and Receiving Shades	78
Fabric Care and Maintenance	79
How to Clean Fabric	79
Roller Shade Fabric Edge Fray	79
Detailing the Cut Edges	79
Minimizing Fraying	79
Glossary	80
Resources	81
Crestron Support and Training	81
Programmer and Developer Resources	81
Product Certificates	81
Related Documentation	81

Crestron Shading Solutions

Roller Shade and Drapery Track Systems

Crestron brings the same engineering excellence from its advanced control and automation solutions to its shading product line, providing precise, quiet one-touch daylight management with a complete line of motorized window shades and drapery track systems. Shading systems allow the customer to easily regulate the natural light in a room with a simple touch of a button. Shades are energy efficient and provide UV protection, glare control, and privacy at a competitive cost.

Purpose of This Guide

This design guide includes the following:

- How to select the correct shade or drape system for the application.
- How to measure for proper installation.
- Detailed views of product design specifications (with dimensions) for the Décor as well as Architectural mounting brackets and drapery track systems in a variety of configurations.
- Overview of the fabric styles.
- How to select fabric based on application.
- How to care for the fabric.
- Information on fabric types and how to use the fabric binder.
- How to select a power supply.
- Overview for integrating shades and drapery track systems with Crestron control systems.

This section provides the following information:

Features

Daylight Control

Protect fine furnishings and floor coverings from harmful UV rays with intelligent shading solutions. For added energy efficiency, shades can also reduce solar-heat gain in the summer and utilize its warmth in the winter.

Security and Privacy

Shades provide privacy and security. Use semi-translucent shade fabrics to allow natural light into the space, or blackout shade fabric to completely block views.

Quiet Shade Motors

Crestron automated shades feature low-voltage Digital QMT® shade motors for quiet operation. Crestron shades help manage daylight without audible disruptions to the space. For details, refer to [Digital QMT Roller Shade Motors on page 14](#).

Brushless Motor Technology

The Crestron Digital QMT shade motor is a brushless design, which translates into exceptional reliability, smoother operation, and ultra-quiet performance.

Easy Installation

Crestron shades are easy to install. Brackets are easily mounted, and the shade components are secured with no special tools required.

Right Size Guarantee

The Crestron Right Size Guarantee (RSG) enables Crestron's authorized resellers in selected countries to confidently measure their customers' space for custom residential shading solutions without the worry of making a mistake. A simple measuring mishap need not result in extra costs to replace the incorrectly measured shade. If the requested replacement qualifies for the terms of the Right Size Guarantee, Crestron will not charge its authorized resellers for the replacement shade. For more information, refer to crestron.com/Legal/ShadesRightSizeGuarantee.

Crestron Shading Solutions Limited Warranty

The limited warranty is applicable to Crestron Shading Solutions mounting hardware, shade fabric, Digital QMT shade motors, and QMT shade motors only. For more information, refer to the [Crestron Shading Solutions Limited Warranty](#).

Design Resources

Crestron provides the following tools and resources to assist the user when designing shade and drapery track systems.

Crestron Design Tool Shades (CDTS) Software

The [Crestron Design Tool Shades \(CDTS\)](#) is a web-based tool used for quoting and ordering Crestron roller shades and drapery tracks. The software may be used to easily create proposals for customers and place orders directly to Crestron.

Hardware Sample Case

Crestron offers two hardware sample cases that display all mounting brackets and accessories for the QMT3 series ([CSA-DSK-HDWR-QMT3](#)) and QMT5 series ([CSA-DSK-HDWR-QMT5](#)) shade hardware.

The sample cases contain brackets, end caps, fascia, and accessories for each series. Also included is a variety of color chips that show the various colors that the components are available in.



Crestron Shade Fabrics

These Shade Fabric resources are available:

- [Shade Fabric Book Collection on page 8](#)
- [Shade Fabric Sample Decks on page 9](#)
- [Crestron Horizontal Sheer Fabric Sample Binder on page 9](#)

Shade Fabric Book Collection



The Crestron® Shade Fabric Book Collection ([CSF-FABRIC-COLLECTION](#)) elegantly displays the complete line of Crestron shade fabrics. Our Heritage and Designer collection are organized and presented in two separate stylized binders. Neatly store and transport all of the required shade fabric material using the included satchel — perfect for taking on the go to site visits and client consultations.

Shade Fabric Sample Decks



The Crestron® Shade Fabric Sample Decks ([CSF-FABRIC-COLLECTION-DECK-01](#)) compliment the Heritage and Designer fabric books by providing larger, 4.5 by 9-inch fabric samples. The CSF-FABRIC-COLLECTION-DECK-01 provides six fabric sample decks; three fabric sample decks for the Heritage fabric book and three fabric sample decks for the Designer fabric book.

The Heritage fabric decks are separated into solar, dual-sided, and eco-friendly fabric decks while the Designer fabric decks are separated into sheer, light-filtering, blackout decks.

Crestron Horizontal Sheer Fabric Sample Binder



The Crestron Horizontal Sheer Fabric Sample Binder ([CSF-FABRIC-COLLECTION-HSHEER](#)) elegantly displays the horizontal sheer fabric collections in a highly stylized, eye-catching binder. The binder contains a variety of colors to suit shading needs and makes it easy to envision a particular roller shade fabric in a room. Information about the fabric is printed on the back of each sample card, including its fabric number and fenestration data.

Crestron Roller Shades

Crestron Shading Solutions (CSS) offers a variety of components to assemble a roller shade that fits any application.

This section provides the following information:

- [Crestron Roller Shade Options](#)
- [Digital QMT Roller Shade Motors](#)
- [Roller Shade Mounting Brackets](#)
- [Roller Shade Tube Options](#)
- [Roller Shade Mounting Options](#)
- [Roller Shade Accessories](#)
- [Roller Shade Fabrics and Textiles](#)
- [Specialty Roller Shades](#)
- [Roller Shade Measuring Guidelines](#)
- [Installation Dimensions](#)

Crestron Roller Shade Options

	CS-SHADE-ROLLER				CS-SHADE-ROLLER-BATT		CS-SHADE-ROMAN	CS-SHADE-ROLLER-HSHEER	CS-SHADE-ROLLER-CABLEGUIDED	
Compatible Bracket:	CSA-ARCH5	CSA-ARCH3	CSA-DECOR5	CSA-DECOR3	CSA-ARCH3	CSA-DECOR3	CSA-DECOR5	CSA-ARCH3	CSA-ARCH5	CSA-DECOR5
Mounting Style										
Single Roll	✓	✓	✓	✓	✓	✓	✓	✓	✓	✓
Dual Roll	✓	✓								
Coupled	✓		✓							
Exposed Brackets			✓	✓		✓				
Exposed Fabric Roll			✓	✓		✓				
Mounting Location										
Inside Mount	✓	✓			✓	✓	✓	✓	✓	✓
Outside Mount	✓	✓	✓	✓	✓	✓	✓	✓	✓	✓
Crestron Pocket										
Single Pocket	✓	✓								
Dual Pocket		✓								
Hem bar Options										
	Open Pocket, Open Pocket with End Caps, Sealed Pocket, Exposed Blackout		Open Pocket, Open Pocket with End Caps, Sealed Pocket, Exposed Blackout		Open Pocket, Open Pocket with End Caps, Sealed Pocket, Exposed Blackout		N/A	Bottom Slat		
Fascia										
	✓	✓	N/A	N/A	✓	N/A	N/A	✓	✓	
	Square or Round	Square or Round			Square or Round			With or without fabric insert		
Blackout Accessories										
	✓	✓			✓					

	CS-SHADE-ROLLER				CS-SHADE-ROLLER-BATT		CS-SHADE-ROMAN	CS-SHADE-ROLLER-HSHEER	CS-SHADE-ROLLER-CABLEGUIDED	
Compatible Bracket:	CSA-ARCH5	CSA-ARCH3	CSA-DECOR5	CSA-DECOR3	CSA-ARCH3	CSA-DECOR3	CSA-DECOR5	CSA-ARCH3	CSA-ARCH5	CSA-DECOR5
Color/Finish Options	White, Brown, Gray, Black, Almond		White, Brown, Gray, Black, Almond, Bronze Antique, Brushed Nickel, Chrome		White, Brown, Gray, Black, Almond	White, Brown, Gray, Black, Almond, Bronze Antique, Brushed Nickel, Chrome		White, Brown, Gray, Black, Almond		
Shade Motor										
CSM-QMTDC-163-1-EX/CN		✓		✓				✓		
CSM-QMTDC-163-1-SG					✓	✓				
CSM-QMTDC-250-1-EX/CN	✓		✓				✓		✓	✓
CSM-QMTDC-275-1-EX/CN	✓		✓						✓	✓
System Width										
Minimum	18 in. (458 mm)	17.5 in. (445 mm)	18 in. (458 mm)	17.5 in. (445 mm)	24 in. (610 mm)	22 in. (559 mm)	18 in. (458 mm)	17.5 in. (445 mm)	18 in. (458 mm)	18 in. (458 mm)
					29 in. (737 mm) with blackout channels					
Maximum Bracket-to-Bracket (B2B) Width	168 in. (4,268 mm)	96 in. (2,439 mm)	133 in. (3,379 mm)	96 in. (2,439 mm)	96 in. (2,439 mm)	96 in. (2,439 mm)	120 in. (3,048 mm)	96 in. (2,439 mm)	120 in. (3,048 mm)	120 in. (3,048 mm)
Mounting Bracket Features										
Ceiling, Wall, or Jamb Mount	✓	✓	✓	✓	✓	✓	✓	✓	✓	✓

	CS-SHADE-ROLLER				CS-SHADE-ROLLER-BATT		CS-SHADE-ROMAN	CS-SHADE-ROLLER-HSHEER	CS-SHADE-ROLLER-CABLEGUIDED	
Compatible Bracket:	CSA-ARCH5	CSA-ARCH3	CSA-DECOR5	CSA-DECOR3	CSA-ARCH3	CSA-DECOR3	CSA-DECOR5	CSA-ARCH3	CSA-ARCH5	CSA-DECOR5
3-Axis Adjustment	✓	✓						✓	✓	
2-Axis Adjustment			✓	✓	✓	✓	✓			✓
Power										
24VDC	✓	✓	✓	✓			✓	✓	✓	✓
Battery					✓	✓				
Communications										
Cresnet® Wired	✓	✓	✓	✓			✓	✓	✓	✓
infiNET EX® Wireles	✓	✓	✓	✓			✓	✓	✓	✓
SG Wireless					✓	✓				
Non-Motorized	✓	✓	✓	✓				✓		

* Bronze antique, brushed nickel, and chrome not available for non-motorized shades

Digital QMT Roller Shade Motors

Crestron offers a variety of Digital QMT® shade motors providing quiet, yet robust operation for Crestron roller shades. All Crestron QMT shade motors are available using Crestron's reliable Cresnet wired communication and SG and infiNET EX wireless communication.

Digital QMT shade motor features:

- Long-life brushless motor featuring Digital Quiet Motor Technology™ for nearly inaudible operation
- Real-time activity monitoring and status feedback
- Local pushbutton interface for testing shades and setting shade limits
- Local diagnostic LEDs to indicate shade status
- Smooth starts and stops with programmable stop points
- Reactive features that detect and react to obstructions in the shade path to avoid motor damage
- Limited Lifetime Warranty

3/4 Nm Motors

CSM-QMTDC-163 Series Shade Motors

- 3/4 Nm torque.
- Used with the 1.625 in. (42 mm) shade tube.
- Available with built-in infiNET EX (-EX models), SG (-SG models), or Cresnet (-CN models) communications.
- Available models:
 - [CSM-QMTDC-163-1-CN](#)
 - [CSM-QMTDC-163-1-EX](#)
 - [CSMI-QMTDC-163-1-EX](#)
 - [CSM-QMTDC-163-1-SG](#)
 - [CSMI-QMTDC-163-1-SG](#)



4 Nm Motors

CSM-QMTDC-250-4 Series Shade Motors

- 4 Nm torque.
- Used with the 2.50 in. (64 mm) shade tube.
- Available with built-in infiNET EX (-EX models) or Cresnet (-CN models) communications.
- Available models:
 - [CSM-QMTDC-250-4-CN](#)
 - [CSM-QMTDC-250-4-EX](#)
 - [CSMI-QMTDC-250-4-EX](#)



CSM-QMTDC-275 Series Shade Motors

- 4 Nm torque.
- Used with the 2.75 in. (70 mm) shade tube.
- Available with built-in infiNET EX (-EX models) or Cresnet (-CN models) communications.
- Available models:
 - [CSM-QMTDC-275-4-CN](#)
 - [CSM-QMTDC-275-4-EX](#)
 - [CSMI-QMTDC-275-4-EX](#)



Manual Clutch

Keep the same look and feel on all your windows even if they are not all motorized. Crestron roller shade solutions are available with manual clutch operation using a bead-chain to raise and lower the shade fabric. Manually operated shades are a cost-effective alternative to motorized shades.

NOTES:


- The Manual-to-Motorized Upgrade Kit is available which allows any single-roll manual clutch shade to be easily converted to motorized operation. The kit is sold as part of a custom-configured product and orders are placed via the Crestron® Design Tool for Crestron Shading Solutions.
- To configure shades or order shading parts and accessories, please use the Crestron Design Tool for Crestron or call 1-855-53-S-H-A-D-E (537-4233) for support.

To enhance child safety, Crestron custom manual clutch window covering products include a Chainhold Tension Device:

- The Chainhold Tension Device will be permanently attached and cannot be removed by the consumer without breaking.
- When properly installed, the tension device maintains tension on the operating chain.
- If the tension device is not installed properly, it prevents the shade from fully operating.
- The tension device is supplied with fasteners for wood substrates.



⚠️ WARNING ⚠️
⚠️ ADVERTENCIA ⚠️



Window Blind Cord Strangulation Risk

Window blinds with a damaged or loose tension device pose a strangulation risk to children. To avoid this potential strangulation risk, consider purchasing cordless products or products with inaccessible cords.

Products with a Damaged, Loose, or Missing Tension Device Pose a Strangulation Risk to Children

This Window Blind is equipped with a Tension Device

- Remove from use and repair or replace if tension device is damaged, loose, or missing
- Tension device must be securely attached to wall or floor.
- Children can climb on furniture to reach cords
- Fasteners provided with tension device may not be appropriate for all mounting surfaces
- Use appropriate anchors for mounting surface conditions
- Tag to be removed only by end-user

Riesgo de Estrangulamiento en Cuerdas de Persianas

Las persianas con un dispositivo tensor suelto o dañado representan un riesgo de estrangulación para los niños. Para evitar un posible riesgo de estrangulamiento, considere comprar productos inalámbricos o productos con cuerdas inaccesibles.

Productos con un Dispositivo Tensor Dañado, Suelto o Ausente Presentan un Riesgo de Estrangulamiento Para los Niños

Esta Persianas está equipada con un Dispositivo Tensor

- Retire del uso y arregle o reemplace si el dispositivo tensor está dañado, suelto o ausente
- El dispositivo tensor debe estar firmemente sujeto a la pared o al piso
- Los niños pueden subirse a los muebles para alcanzar las cuerdas
- Los taquetes proporcionados con el dispositivo tensor pueden ser inapropiados para todas las superficies de montaje
- Utilice anclas apropiadas para los diferentes tipos de las superficie del montaje
- La etiqueta puede ser quitada solo por el último que la obtiene

Roller Shade Mounting Brackets

Crestron offers variety of Architectural and Décor roller shade mounting brackets to fit virtually all mounting scenarios. The mounting brackets can be mounted on a wall, on a ceiling, in a pocket, or on a window jamb.

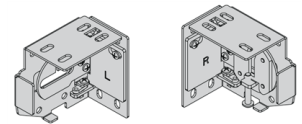


QMT3 Series Architectural Brackets

QMT3 Series Architectural hardware from Crestron is a small mounting system. The hardware offers solutions for both single and dual roll shade applications.

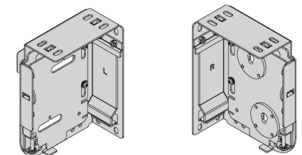
CSA-ARCH3-BRKT

- The [CSA-ARCH3-BRKT](#) supports a single Crestron roller shade.
- Motorized shade operation is provided by the Crestron CSM-QMTDC-163-1 Digital QMT motor.
- Brackets are left-right and up-down adjustable to ensure mounting precision and to shorten installation time by allowing the installer to make changes without removing and reinstalling the entire bracket.
- Compatible with CS-SHADE-ROLLER, CS-SHADE-ROLLER-BATT, and CS-SHADE-ROLLER-HSHEER shade systems



CSA-ARCH3-BRKT-DUAL

- The [CSA-ARCH3-BRKT-DUAL](#) supports two Crestron roller shades in a compact space.
- Motorized shade operation is provided by the Crestron CSM-QMTDC-163-1 Series Digital QMT motor.
- Brackets are left-right and up-down adjustable to ensure mounting precision and to shorten installation time by allowing the installer to make changes without removing and reinstalling the entire bracket.
- Compatible with CS-SHADE-ROLLER shade systems

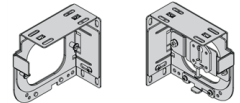


QMT5 Series Architectural Brackets

QMT5 Series Architectural Shade Hardware from Crestron is a mounting system that allows Crestron shades to be mounted on a wall or ceiling, or in a pocket or window jamb. The hardware offers solutions for both single roll and dual roll shade applications.

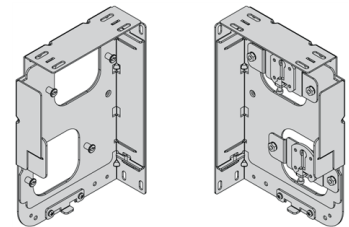
CSA-ARCH5-BRKT

- The [CSA-ARCH5-BRKT](#) supports a single Crestron roller shade.
- Motorized shade operation is provided by the Crestron CSM-QMTDC-250-4 or CSM-QMTDC-275-4 Series Digital QMT motor.
- Brackets are left-right and up-down adjustable to ensure mounting precision and to shorten installation time by allowing the installer to make changes without removing and reinstalling the entire bracket.
- Compatible with CS-SHADE-ROLLER and CS-SHADE-ROLLER-HSHEER shade systems



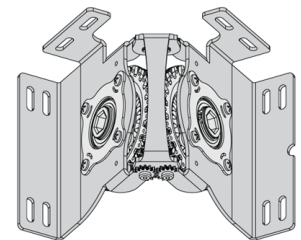
CSA-ARCH5-BRKT-DUAL

- The [CSA-ARCH5-BRKT-DUAL](#) supports two Crestron roller shades.
- Motorized shade operation is provided by the Crestron CSM-QMTDC-250-4 or CSM-QMTDC-275-4 Series Digital QMT motor.
- Brackets are left-right and up-down adjustable to ensure mounting precision and to shorten installation time by allowing the installer to make changes without removing and reinstalling the entire bracket.
- Compatible with CS-SHADE-ROLLER shade systems



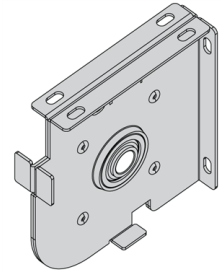
CSA-ARCH5-BRKT-CPLR-ANG

- The [CSA-ARCH5-BRKT-CPLR-ANG](#) supports a single Crestron roller shade.
- Couple up to six roller shades (depends on shade width and fabric selection).
- Conforms to virtually any angled wall or window configuration.
- Compatible with CS-SHADE-ROLLER shade systems



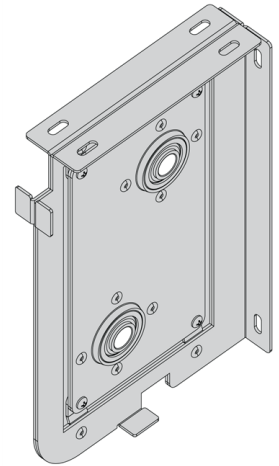
CSA-ARCH5-BRKT-CPLR

- The [CSA-ARCH5-BRKT-CPLR](#) supports a single Crestron roller shade.
- Couple up to six roller shades (depends on shade width and fabric selection).
- Compatible with CS-SHADE-ROLLER shade systems



CSA-ARCH5-BRKT-DUAL-CPLR

- The [CSA-ARCH5-BRKT-DUAL-CPLR](#) supports dual Crestron roller shades.
- Couple two groups of up to six roller shades (depends on shade width and fabric selection).
- Compatible with CS-SHADE-ROLLER shade systems

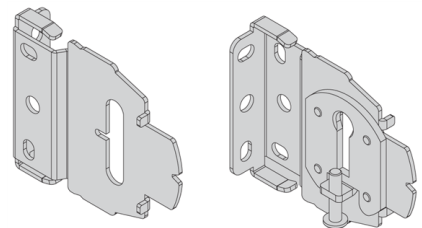


QMT3 Series Décor Brackets

QMT3 Series Décor hardware from Crestron is a small mounting system that allows a Crestron shade to be mounted on a wall, ceiling, or window jamb where the entire shade will be exposed, giving the space a contemporary look.

CSA-DECOR3-BRKT

- The [CSA-DECOR3-BRKT](#) supports a single Crestron roller shade.
- Motorized shade operation is provided by the Crestron CSM-QMTDC-163-1 Series Digital QMT motor.
- Brackets are left-right and up-down adjustable to ensure mounting precision and to shorten installation time by allowing the installer to make changes without removing and reinstalling the entire bracket.
- Compatible with CS-SHADE-ROLLER and CS-SHADE-ROLLER-BATT shade systems



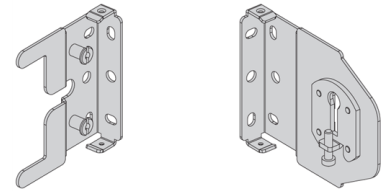
QMT5 Series Décor Brackets

QMT5 Series Décor hardware from Crestron is a stylish mounting system that allows a Crestron shade to be mounted on a wall, ceiling, or window jamb where the entire shade will be exposed, giving the space a contemporary look.



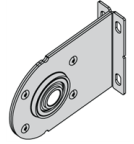
CSA-DECOR5-BRKT

- The [CSA-DECOR5-BRKT](#) supports a single Crestron roller shade.
- Motorized shade operation is provided by the Crestron CSM-QMTDC-250-4 Series Digital QMT motor.
- Brackets are left-right and up-down adjustable to ensure mounting precision and to shorten installation time by allowing the installer to make changes without removing and reinstalling the entire bracket.
- Compatible with CS-SHADE-ROLLER, CS-SHADE-ROMAN, and CS-SHADE-ROLLER-CABLEGUIDED shade systems



CSA-DECOR5-BRKT-CPLR

- The [CSA-DECOR5-BRKT-CPLR](#) supports a single Crestron roller shade.
- Couple up to six roller shades (depends on shade width and fabric selection).
- Compatible with CS-SHADE-ROLLER shade systems



Roller Shade Tube Options

Crestron offers several shade tube options to accommodate a wide array of roller shade widths and shade fabric weights. When multiple shade tube sizes are used in the area, all roller shades can be upgraded to the larger tube size to keep a similar aesthetic across the shades.

- The QMT3 Series Architectural and Décor hardware utilize a 1.625 in. shade tube to support the shade fabric.
- The QMT5 Series Architectural and Décor hardware utilize a 2.50 in. or 2.75 in. shade tube to support the shade fabric. The 2.75 in. shade tube allows heavier fabric to be used and reduce the amount of deflection in the system.
- The QMT5 Series Architectural and QMT5 Series Décor hardware when used with couplers uses the 2.50 in. shade tube.
- Roman shades utilize a 2.50 in. shade tube to support the shade fabric.

Roller Shade Mounting Options

There are three different mounting options available for each mounting bracket.

Inside Mount

The mounting brackets are installed within the window frame. They can be mounted to the jamb or the header.

Shade accessories such as fascia, top/back cover, and end caps may be used to conceal the mounting hardware.



Outside Mount

The mounting brackets are installed outside of the window frame. They can be mounted to the wall or the ceiling.

Shade accessories such as fascia, top/back cover, and end caps may be used to conceal the mounting hardware.



Pocket Mount

The mounting brackets can be installed inside of a pocket to conceal the entire shade assembly. A prefabricated pocket may be purchased from Crestron, or a pocket may be custom built to fit the mounting brackets. The prefabricated pocket can be installed using either the inside mount or outside mount method.

NOTE: Battery-powered shades (CS-SHADE-ROLLER-BATT) are not compatible with pocket mount installations.



Roller Shade Accessories

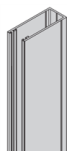
A variety of accessories are available to make sure that the shades are perfectly installed.

NOTE: Accessories are not compatible with all shade systems and all configurations. For details, refer to CDT and [Crestron Roller Shade Options on page 11](#).

Blackout Accessories

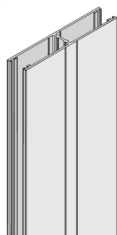
Crestron offers blackout accessories to eliminate light leaking around the edges of fabrics. Blackout accessories are typically used with Architectural style hardware and can be ordered with each shade or independently.

Side Channel



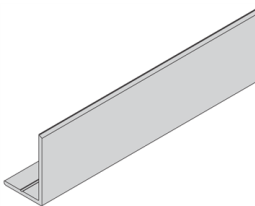
The Side Channel (CSA-ARCH-BO-CHANNEL-U) is used on the sides of shades for blackout applications. The Side Channel comes in 2-1/2 in. (64 mm) and 1-1/2 in. (38 mm) widths. The mounting surface of the Side Channel has a grooved line for easy drilling. The opposite side of the Side Channel is smooth.

H-Channel



The H-channel (CSA-ARCH-BO-CHANNEL-H) is used between two shades for blackout applications. The H-channel is 5 in. (127 mm) wide. The mounting surface of the H-channel has grooved lines for easy drilling and for reducing the need for a center punch. The opposite side of the H-channel is smooth. Plugs are available to conceal holes in the channel. Use a 3/8 in. drill bit for the plugs.

Sill Angle

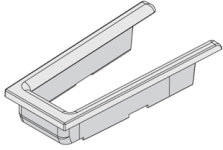


The sill angle (CSA-ARCH-BO-SILL) is used for blackout applications by preventing light leaks along the bottom of the shade. The sill angle is used in conjunction with a blackout hem bar. The side of the sill angle contains a grooved line for easy drilling and for reducing the need for a center punch.

Liner (Wool Pile)

Liner comes in two sizes and is available in black and white. Small liner is installed in Side or H-channels and large liner is optionally installed in pocket. Liner is used to enhance the light block characteristics of these accessories and is preinstalled when side channel or pockets are ordered with a shade.

Channel Cap



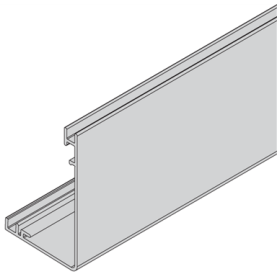
H-channels and Side Channels come with caps (CSA-ARCH-BO-CHANNEL-CAP) to provide a clean finish on the cut ends. The channel caps can fit the 2-1/2 in. (64 mm) or 1-1/2 in. (38 mm) channel widths. The channel caps press into place. Four channel caps come with the H-channel; two channel caps come with the Side Channel.

Fascia Options

The fascia is used to conceal the front and bottom of the shade bracket. The lip on the bottom of the fascia also helps conceal the shade roller tube. The fascia snaps onto the tabs of the mounting bracket.

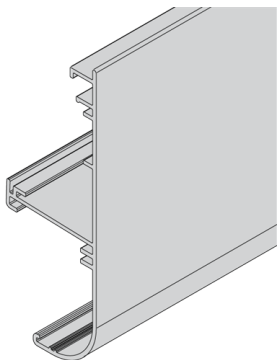
The fascia is available square or round and is designed to fit single brackets (CSA-ARCH5-BRKT) and dual brackets (CSA-ARCH5-BRKT-DUAL). A smaller square fascia is designed for manual shades (CSA-ARCH5-BRKT-MAN).

Square Fascia



For battery-operated shades, the battery pack is integrated into the fascia. The integrated battery pack provides access to the batteries for fast and easy installation and replacement.

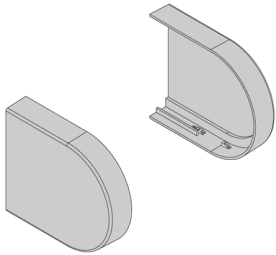
Round Fascia for Battery-Powered Shades



End Cap Options

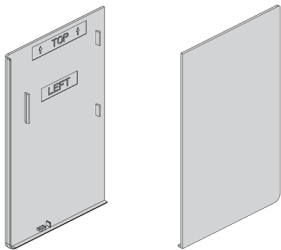
Decorative end caps help visible shade brackets blend into the room.

Decor End Caps



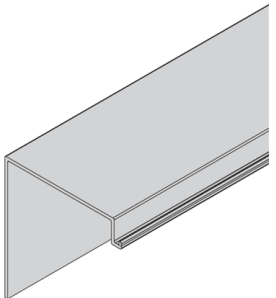
Decorative end caps are placed over the mounting brackets to conceal mounting hardware. End caps are provided in a variety of colors.

Architectural End Caps



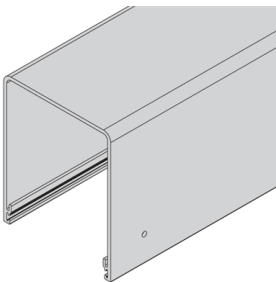
Architectural end caps conceal the end of the bracket when the sides are exposed. The end caps can be used with square or curved fascia and the top and back cover. The end caps are available square or round and are designed to fit single brackets (CSA-ARCH5-BRKT) and dual brackets (CSA-ARCH5-BRKT-DUAL).

Top and Back Cover



The top and back cover allow the Architectural shade hardware to be concealed when the shade is viewed from above and when the shade can be viewed from outside the window. Top and back covers are available for single Architectural brackets (CSA-ARCH3-TBC and CSA-ARCH5-TBC) and dual Architectural brackets (CSA-ARCH5-TBC-DUAL).

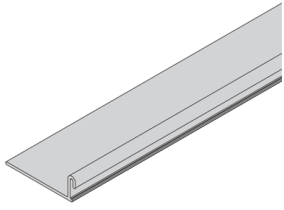
Pocket



Prefabricated pockets reduce the need for custom framing for the shade and allow an easy installation. A single pocket (CSA-ARCH5-POCKET and CSA-ARCH3-POCKET) and a dual pocket (CSA-ARCH3-POCKET-DUAL) are available for installations where the pocket cannot be built into the window frame (retrofit applications). The inside of the pocket contains grooved lines for easy drilling and for reducing the need for a center punch.

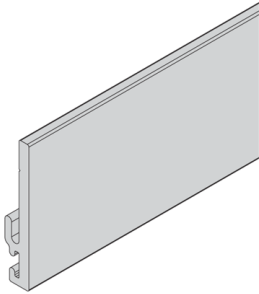
Pockets are available with a tile lip that supports the edge of a ceiling tile.

Flap



The flap (CSA-ARCH5-FLAP) is an accessory that attaches to the inside of the pocket from the room or window side of the pocket. It blocks the opening at the bottom of the pocket so that the shade and hardware cannot be seen. The flap can also attach to a hanger.

Hanger



Hangers are designed to mount to the edge of a custom fabricated pocket to hold a pocket flap. The hanger should be mounted inside the pocket. The hanger with a tile lip is used where there is a drop ceiling. The side of the hanger contains a grooved line for easy drilling and for reducing the need for a center punch.

Hanger with Tile Lip

The pocket flap hanger with tile lip is designed to mount to the edge of a custom fabricated pocket to hold a pocket flap. It also has a lip to support ceiling tiles. The side of the hanger contains a grooved line for easy drilling and for reducing the need for a center punch.

Pocket End Cap

Metal pocket end caps are available for use with pockets and provide a finished look in an exposed application or provide a complete shade enclosure in a recessed application.

Roller Shade Fabrics and Textiles

Crestron offers a variety of fabric colors with an array of fabric properties that suit every space and budget. Crestron offers shade fabrics that are certified environmentally safe, recyclable and eco-friendly, mold- and bacteria-resistant, PVC-free, lead-free, and fire-retardant.

Fabric Characteristics

Crestron offers fabric in transparent, translucent, and blackout.

Transparent



Transparent fabrics transmit light so that objects or images are seen through the weave of the fabric. These have an openness factor between 3-10%.

Benefits:

- Solar protection
- Natural light and glare control
- Reduced solar heat gain

Translucent



Translucent fabrics transmit diffused light and enhance privacy. The exterior view is only partially visible as silhouettes and shadows. These fabrics typically have an openness factor between 0-1%.

Benefits:

- Solar protection
- Privacy
- Enhanced natural light filtration
- Reduced solar heat gain

Blackout



Blackout fabrics provide advanced light blockage and privacy. Use additional accessories to create a complete blackout solution and prevent light leaks along the window jambs and sill.

Benefits:

- Ultimate light and glare control
- Complete privacy
- Dramatic reduction in solar heat gain

Fenestration Data

Fenestration data is used by designers to assist them when choosing a fabric. Fenestration data includes the following:

- **Solar Transmittance (Ts):** The ratio of total solar energy that contacts the shade fabric and is allowed through the fabric and into the space.

- **Solar Reflectance (Rs):** The ratio of total solar energy that contacts the shade fabric and is reflected away from the space.
- **Solar Absorbance (As):** The ratio of total solar energy that contacts the shade fabric and is absorbed into the shade fabric.

NOTE: The sum of Ts, Rs, and As will always be 100.

- **Visible Transmittance (Tv):** The ratio of total solar energy that is allowed to pass through the shade fabric. The value is the amount of glare that is seen through the shade fabric. For example, a Tv value of 2% indicates that 98% of glare is reduced.
- **Openness Factor (OF):** The OF is the percentage of open space in the fabric. The percentage determines how much light, heat, and glare the fabric allows to enter. A high OF factor lets in more light than a lower OF factor. UV blocking shades do not provide privacy at night.

Hem Bar Styles

The hem bar on a Crestron roller shade provides weight at the bottom of the fabric so that the fabric hangs straight and travels up and down smoothly on the tube. Hem bars are available in three different styles: Open Pocket, Sealed Pocket, and Exposed Blackout.

Open Pocket Hem Bar

The open pocket hem bar is an appropriate choice for when the designer does not want to add any additional detail to the bottom of the drawn shade. The pocket has an opening on each end providing a simple finish to the shade. The hem bar is taped to the fabric inside of the pocket to prevent the hem bar from moving.

Optional end caps may be ordered for an elegant finish to an open pocket.



Sealed Pocket Hem Bar

The sealed pocket hem bar is intended for use with single-sided seamable fabrics. The sealed pockets enclose the weighted hem bar making them ideal for schools and homes with small children. However, the pinched end is less desirable with designers.



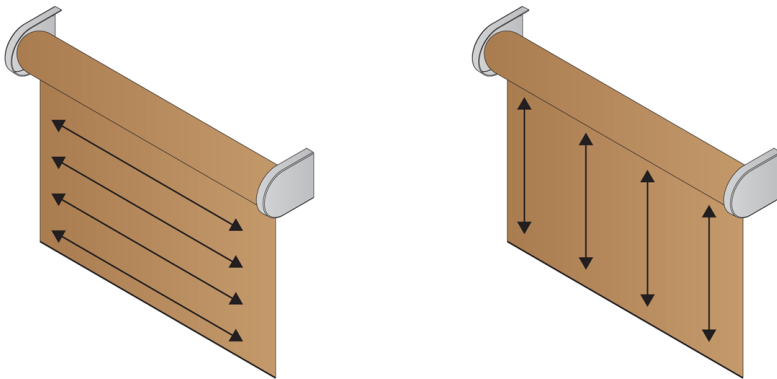
Exposed Blackout Hem Bar

The exposed blackout hem bar is intended for use in blackout applications. The hem bar blocks light from leaking in through the bottom of the roller shade fabric. The exposed blackout hem bar is available in almond, black, brown, gray, and white.



Fabric Railroading

When the desired roller shade width is larger than the shade fabric width, railroading the shade fabric is an option to meet the desired shade width. Railroading the shade fabric rotates the shade fabric, and any associated pattern in the shade fabric, 90 degrees.



Seams

If the shade fabric is railroaded and the window height is larger than the width of the fabric, multiple pieces of fabric must be connected which creates a seam in the shade fabric.

When placing multiple roller shades in the same room, if one shade needs to be railroaded with a seam all other shades should be railroaded. This creates a consistent view amongst the shades in the room. Seams can be specified for non-railroaded shades in the same room at no extra cost.

When possible, align seams with window hardware or a mullion.

Vertical seams are not allowed on roller shades because they create an uneven roll on the tube, causing telescoping or tracking. Telescoping occurs when the fabric shifts excessively to the left or right of the roller tube as the shade is being rolled up.

Batten

When shade fabrics are very tall or very wide, the shade fabric may curl along the edges. To provide stability for the shade or to prevent edge curling, battens may be sealed into the fabric.

When possible, align battens with window hardware or a mullion.

Battens are typically spaced evenly throughout the length of the shade fabric. Custom batten location requests can be made to position battens to suit the window architecture. When using side channels on large shades, battens can be used to minimize fabric edge curling.

Specialty Roller Shades

Crestron also offers Battery Powered roller shades, Horizontal sheers, Roman Shade kits and Cable Guided roller shades.

Battery-Powered Shades

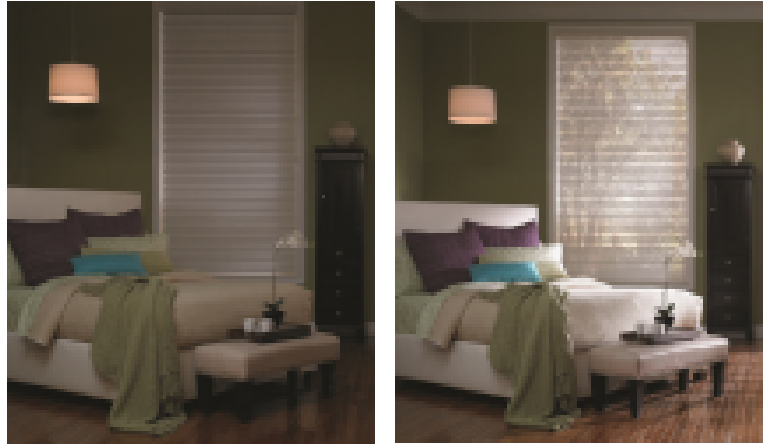
Crestron battery-powered shades ([CS-SHADE-ROLLER-BATT](#)) add beauty, convenience, and comfort to any interior space. Install battery-powered shades in locations where power and control wires cannot be run. A battery pack powers the shade motor while the SG radio provides control and status of the shade.

- Easy installation in post-construction or retrofit applications
- 3 year (average) battery life
- Install shades where power and control cabling cannot be run
- Designed for use with Crestron® QMT®3 Series Architectural or QMT3 Series Décor shade hardware
- For roller shades 22 to 96 in. (559 to 2,439 mm) wide using Décor shade hardware
- For roller shades 24 to 96 in. (610 to 2,439 mm) wide using Architectural shade hardware
- Fully integrated antenna— no external antenna or dongle required
- Control system integration using SG wireless communications
- Powered using 8 D cell batteries in an external battery pack



Crestron Horizontal Sheers

The Crestron Horizontal Sheers ([CS-SHADE-ROLLER-HSHEER](#)) add beauty, convenience, and comfort to any interior space. Horizontal fabric vanes float between two layers of sheer, knitted fabric. The horizontal sheer can be raised for an unobstructed view and lowered to soften the view. When the horizontal sheer is lowered, the vanes can be tilted to increase the natural light levels or to provide privacy.



- Horizontal sheers are available for windows up to 8 ft x 8 ft (2.4 m x 2.4 m).
- Vane fabrics are available in 36 decorative colors and patterns with a choice of 25 light filtering and 11 room darkening options.
- The large 2.5 in. (64 mm) vanes provide ~1.25 in. (~32 mm) view-through when tilted open.
- Universal mounting brackets allow inside mount within a window jamb or outside mount to the window casing, wall, or ceiling surface.
- Decorative curved front fascia with matching fabric insert. Available with top and back cover.

Roman Shades



Roman shades use a variety of fabric folds, such as flat, cascade, relaxed, or pleated, to provide an elegant look to the space.

Roman shades give windows the softness and style of draperies, but with less bulk.

Similar to other Crestron roller shades, roman shades can be used as aesthetically as the focal point of the room or functionally to block out sunlight.

Crestron offers Roman Shade kits that use QMT5 Series Décor shade hardware (CSS-DECOR5). Provide the Roman Shade kit to a local workroom to create a Roman shade that is powered by Crestron and created by you.

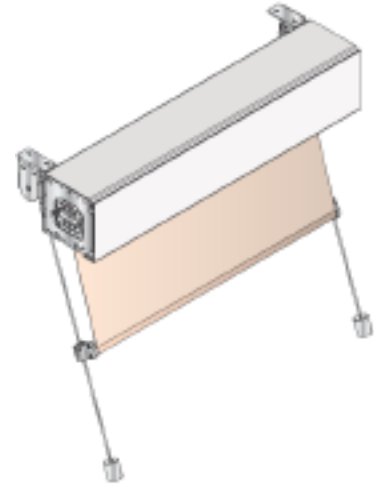
Cable Guided Shades

The Crestron Cable Guided Shades ([CS-SHADE-ROLLER-CABLEGUIDED](#)) use Crestron QMT5 Series Architectural and Décor shade hardware (CSS-ARCH5 and CSS-DECOR5) mounting hardware and a set of cables to guide roller shades on an angle.

As part of a complete engineered shading solution, it provides a cable-guided tracking solution to prevent the shade fabric from swaying and allows for installation on angled windows.

It is compatible with inside, outside, and pocket mounted roller shades up to 10 ft (3 m) wide or 10 ft (3 m) long when using the 2.50 in. tube, and 13 ft (4 m) or 10 ft (3 m) long when using the 2.75 in. tube. Cable guided shade assemblies accommodate windows pitched inwardly or outwardly at up to 20 degrees from vertical.

The cable-guided option employs a pair of tensioned steel cables running vertically at either side of the shade fabric. A specially weighted hem bar with slotted end caps glides up and down the cables as the shade is raised and lowered. Small decorative anchors attach the cables at the bottom to the windowsill, window jamb, or floor. Precision brackets or blocks mount at the top to the window header, window jamb, or ceiling. Adjustable cable fittings allow for proper tensioning of each cable to ensure smooth travel and minimal sag.



NOTE: The shade fabric does not retract fully when raised. At its upper limit, the hembar and some amount of fabric remains visible. Not compatible with blackout options. A minimum 1-1/4 in. (32 mm) light gap is expected.

Roller Shade Measuring Guidelines

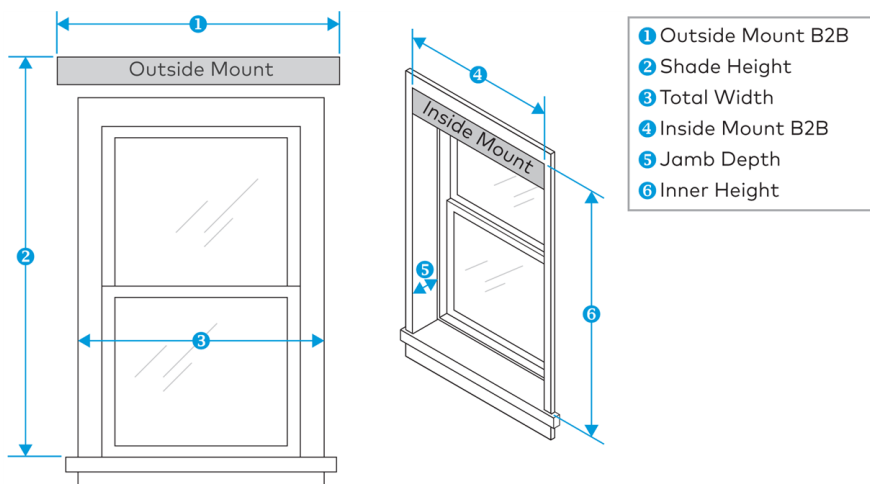
Take the measurements for roller shades after the window is fully finished, this allows window casing, mounting pocket, window sill, window hardware, and other obstructions to be taken into consideration. Log shade measurements as width by height.

How to Measure Single Roller and In-Line Coupled Roller Shades

Use the [Shade Measuring Worksheet - Single Roller and In-Line Coupled Shades](#) (PDF) (Doc. 7925) for additional information when measuring shades, to log the measurements, and to submit the measurements.

When measuring for single roller or in-line coupled shade, note the following:

- Inspect the window and the area around the window for window hardware (knobs, sills, etc.) that may prevent the smooth travel of the shade.
- Verify that the window frame, window sill, and the window header are level, and then measure all designations.
- Measure the location where the brackets will be mounted.
- Measure the shade height and width in three different locations. Log the smallest value.
- For outside mount shades, measure the bracket-to-bracket (B2B) width (1) or the fabric width (3) and the shade height (2).
- For inside mount shades, measure the bracket-to-bracket (B2B) width (4), shade height (6), and depth (5)
- When placing an order for an inside mount shade in CDT, the user will be asked if Crestron should adjust the bracket-to-bracket measurement. If Yes is selected, an 1/8 in. deduction will be made on all roller shades that were specified as inside mount.

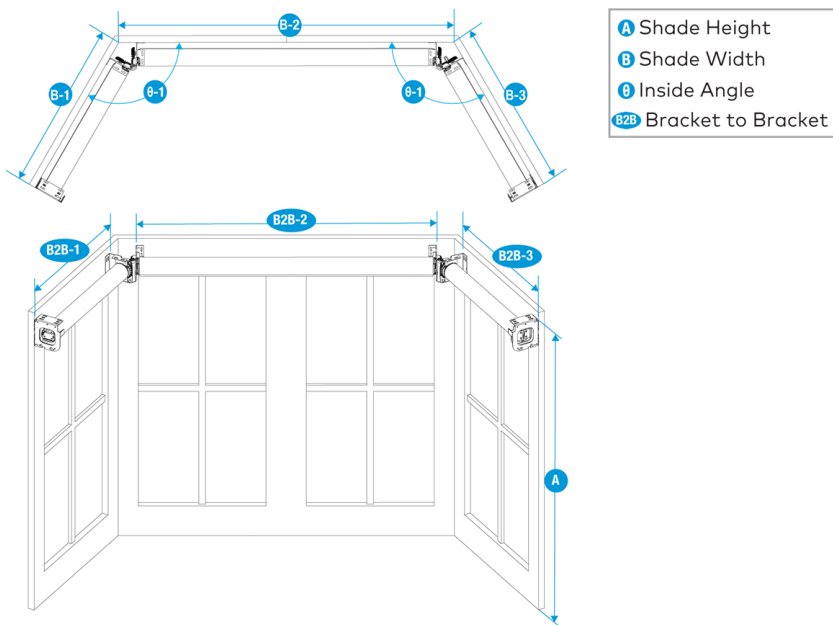


How to Measure Angled Coupled Shades

Use the [Shading Solutions Measuring Worksheet - Angle Coupled Shades](#) (PDF) (Doc. 7925) for additional information when measuring shades, to log the measurements, and to submit the measurements.

When measuring for an angled coupled shade, note the following:

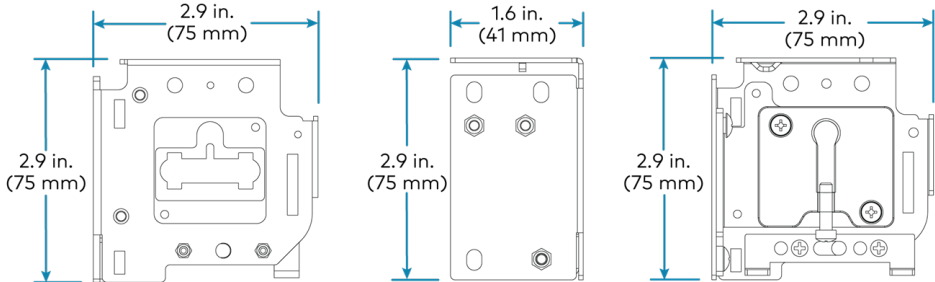
- Check that all window frames are level and plumb with each other.
- Check that the surface is flat before measuring angles.
- Inspect the window and the area around the window for window hardware (knobs, sills, etc.) that may prevent the smooth travel of the shade.
- Measure the location where the brackets will be mounted.
- Measure the shade height and width in three different locations. Log the smallest value.
- If the brackets are not installed, measure the shade width (B-1, B-2, B-3, etc), the inside angles (θ -1, θ -2, etc.), and the shade height (A).
- If the brackets are installed, measure the bracket-to-bracket width (B2B-1, B2B-2, B2B-3, etc). Measure to the outside of the brackets.
- Angled coupled shades are not configurable with any top treatments (fascia, pocket, etc.). A custom-built pocket is suggested to have a (5 in. depth x 6 in. height) minimum inside dimension for the custom pocket.



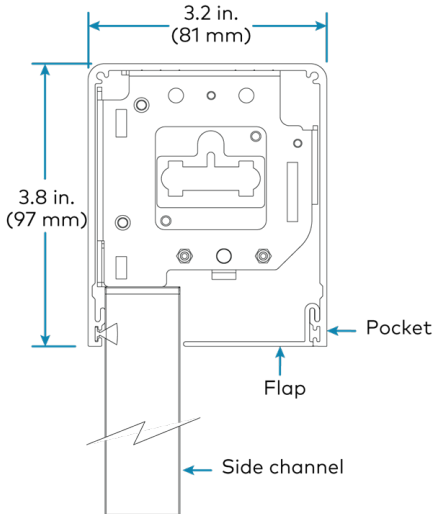
Installation Dimensions

QMT3 Series Architectural Brackets

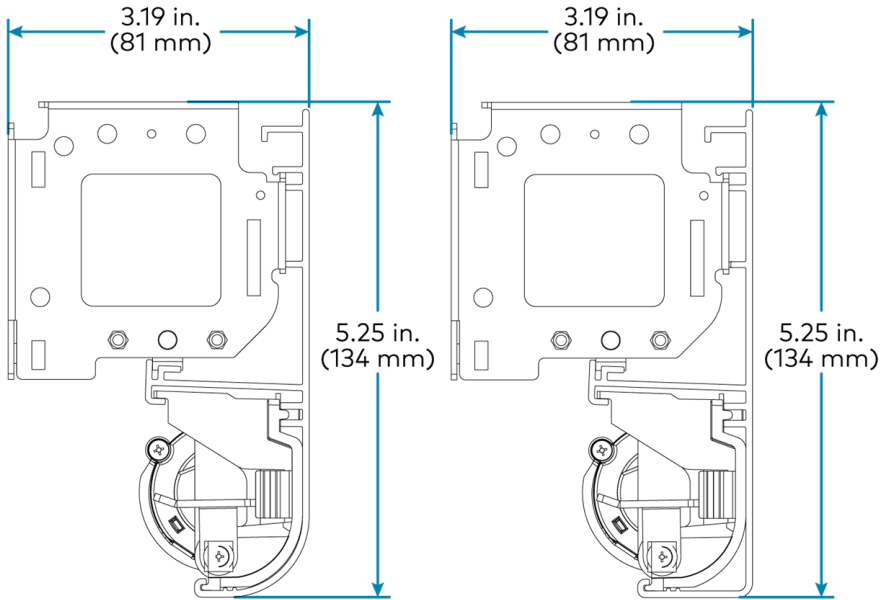
CSA-ARCH3-BRKT



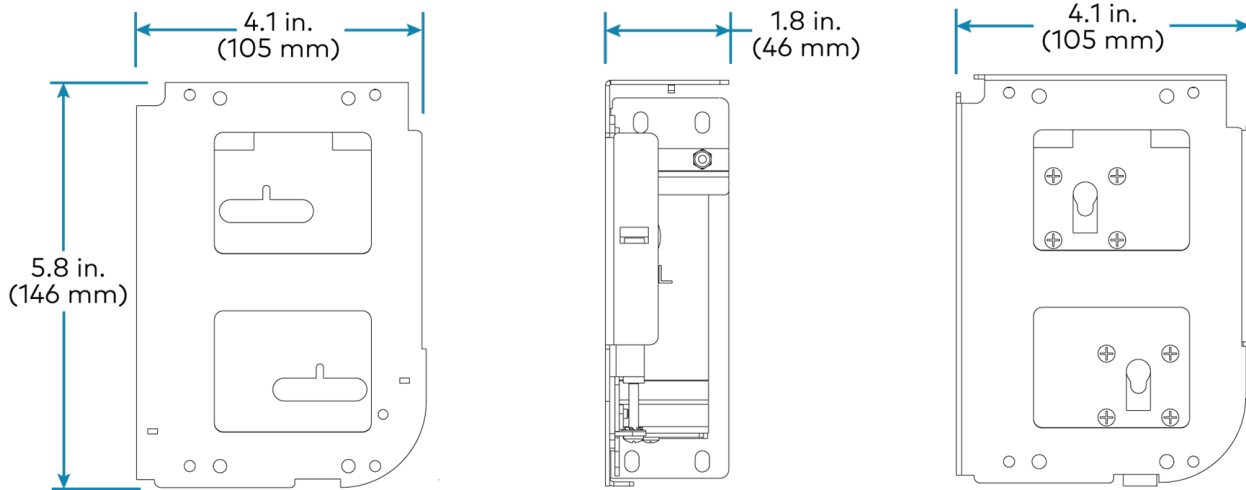
CSA-ARCH3-BRKT in a Blackout Configuration



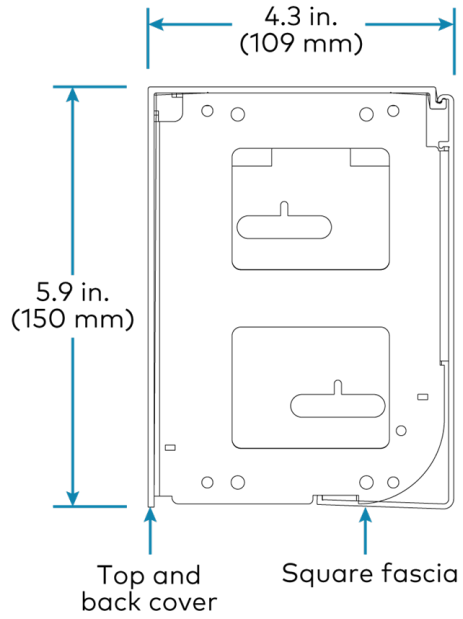
CSA-ARCH3-BRKT Bracket for CS-SHADE-ROLLER-BATT



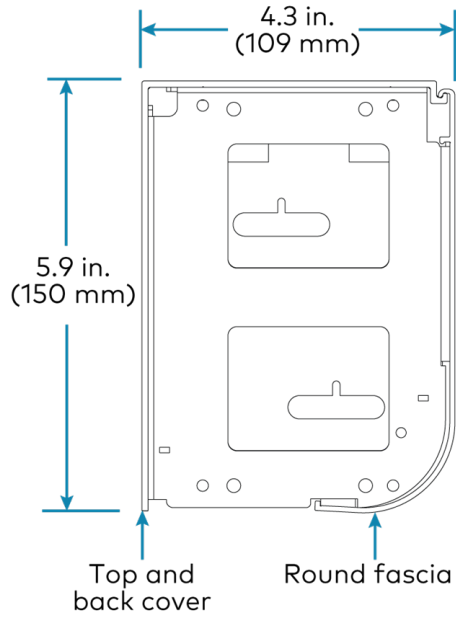
CSA-ARCH3-BRKT-DUAL



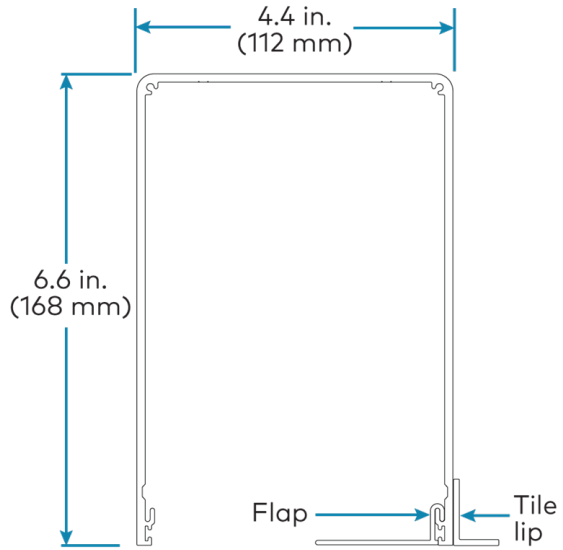
CSA-ARCH3-BRKT-DUAL with Square Fascia and Top and Back Cover



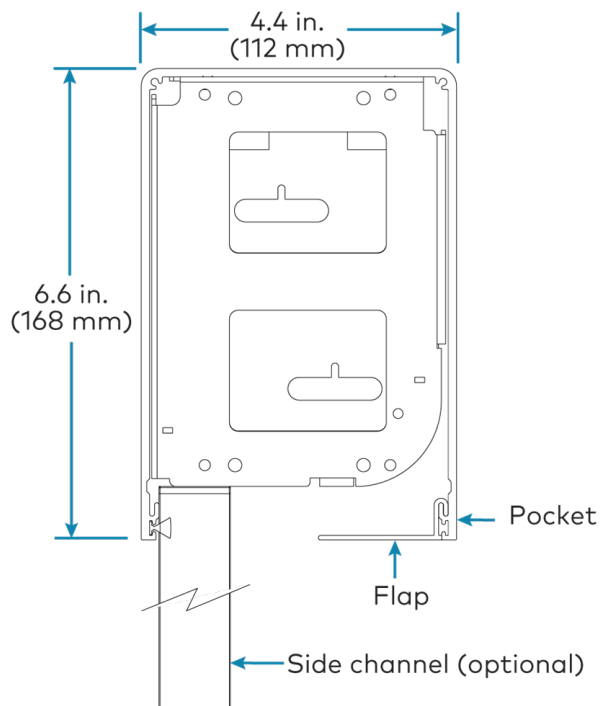
CSA-ARCH3-BRKT-DUAL with Curved Fascia and Top and Back Cover



QMT3 Series Dual Architectural Pocket with Flap, Hanger, and Tile Lip

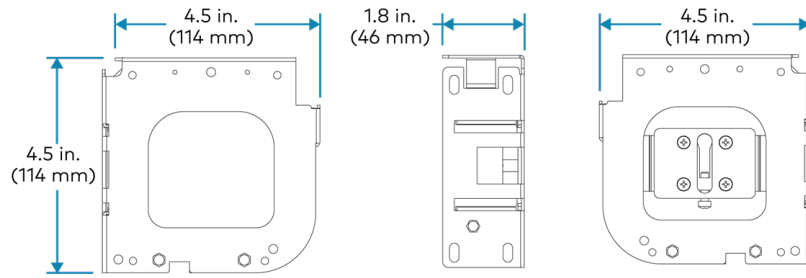


CSA-ARCH3-BRKT-DUAL in a Blackout Configuration

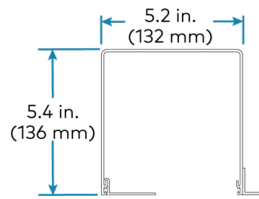


QMT5 Series Architectural Brackets

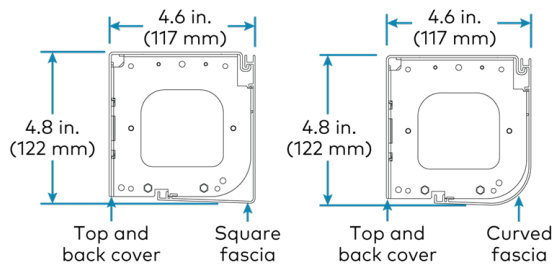
CSA-ARCH5-BRKT



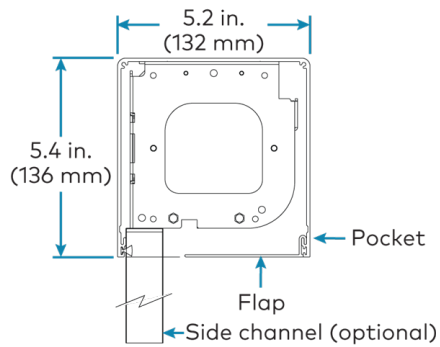
QMT5 Series Architectural Pocket with Flap, Hanger, and Tile Lip



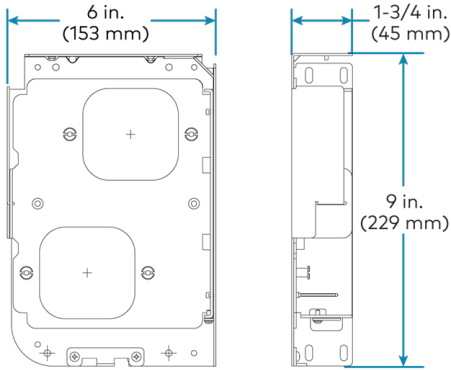
CSA-ARCH5-BRKT with Square and Curved Fascia and Top and Back Cover



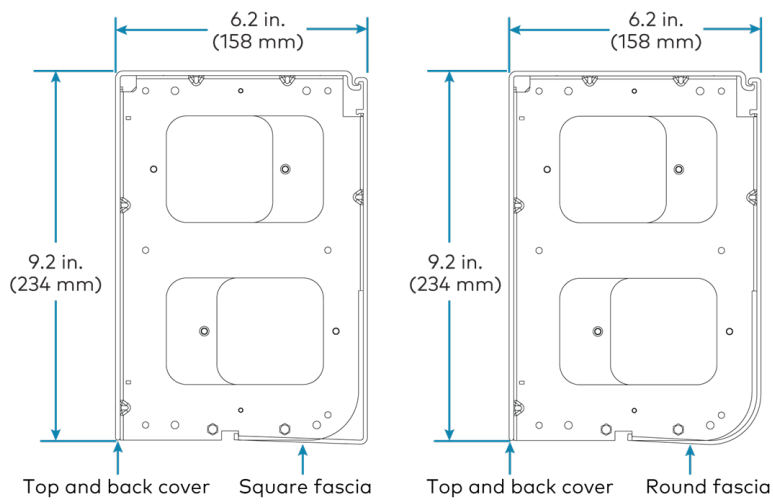
CSA-ARCH5-BRKT in a Blackout Configuration



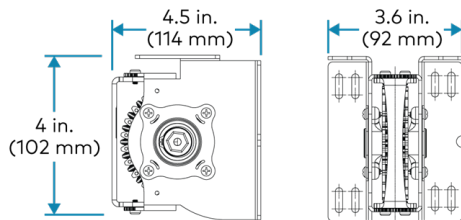
CSA-ARCH5-BRKT-DUAL



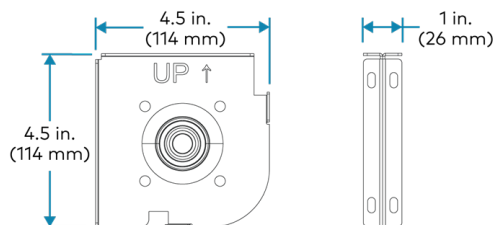
CSA-ARCH5-BRKT-DUAL with Square and Curved Fascia and



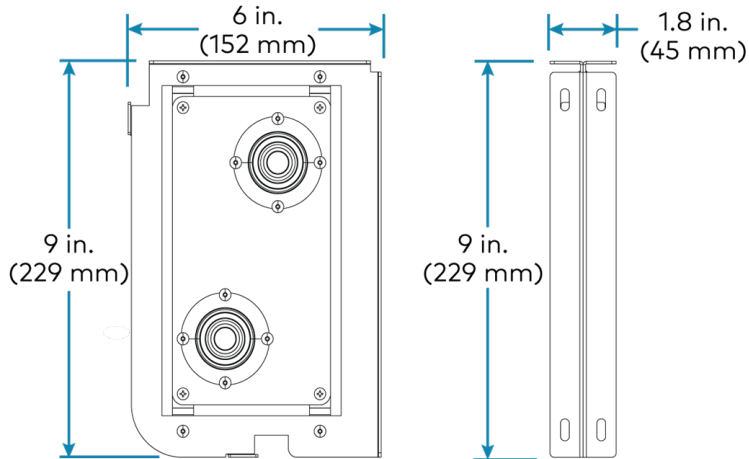
CSA-ARCH5-BRKT-CPLR-ANG



CSA-ARCH5-BRKT-CPLR

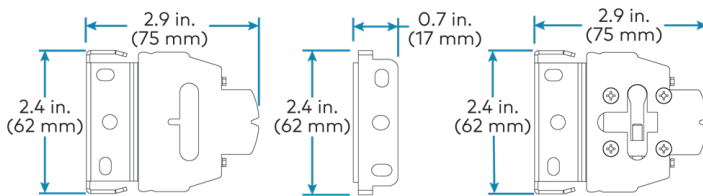


CSA-ARCH5-BRKT-DUAL-CPLR



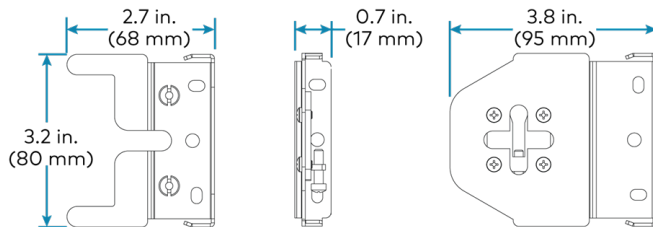
QMT3 Series Décor Bracket

CSA-DECOR3-BRKT

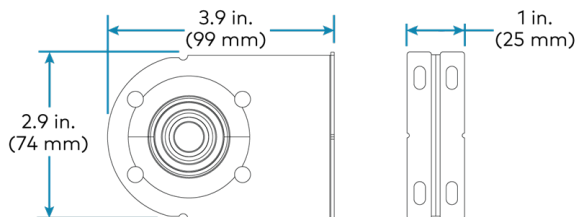


QMT5 Series Décor Brackets

CSA-DECOR5-BRKT

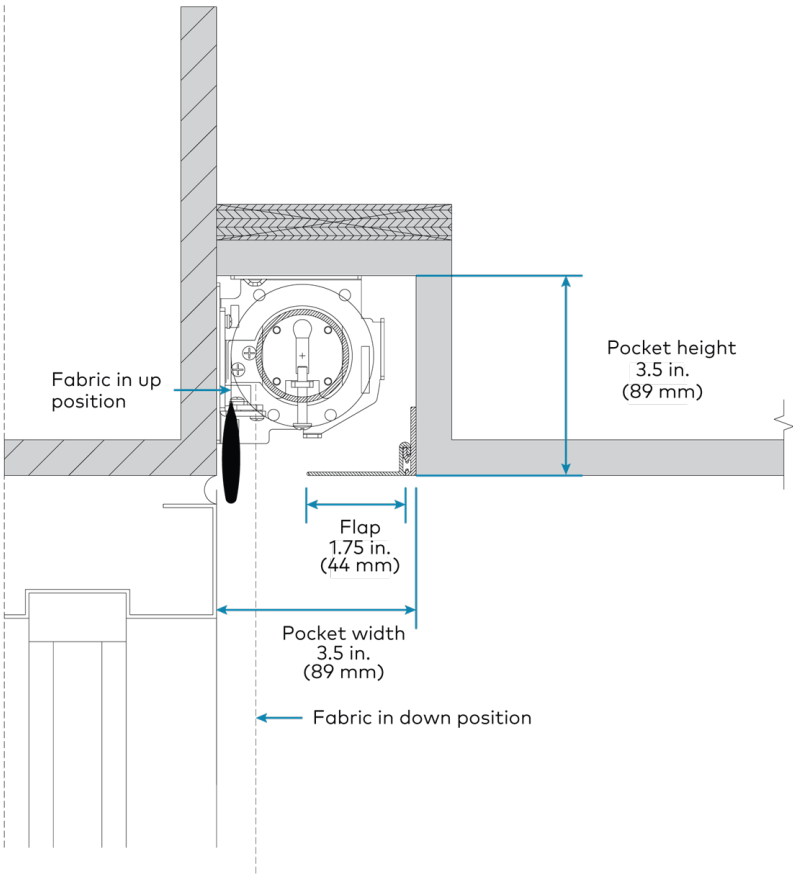


CSA-DECOR5-BRKT-CPLR

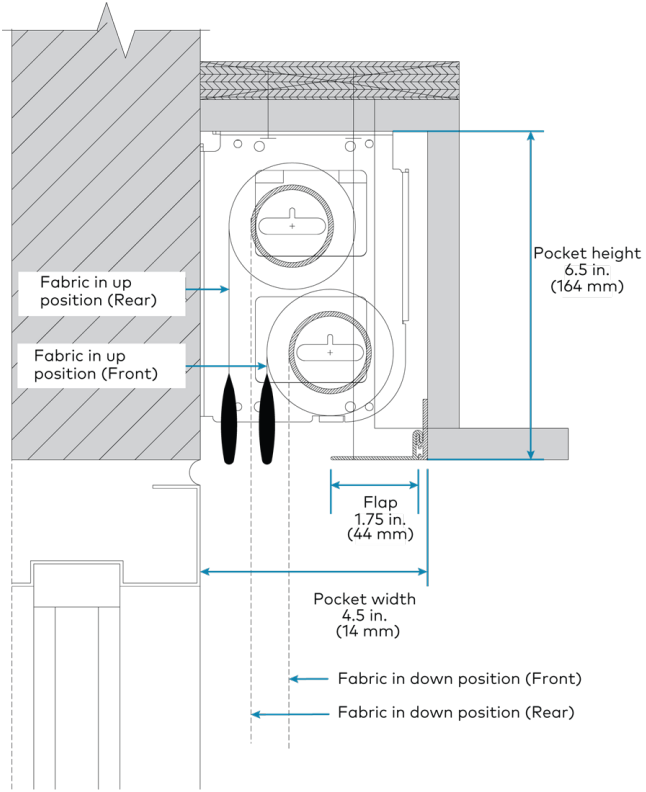


Creating Custom Pockets for QMT3 Series Architectural Brackets

CSA-ARCH3-BRKT in a Custom Pocket

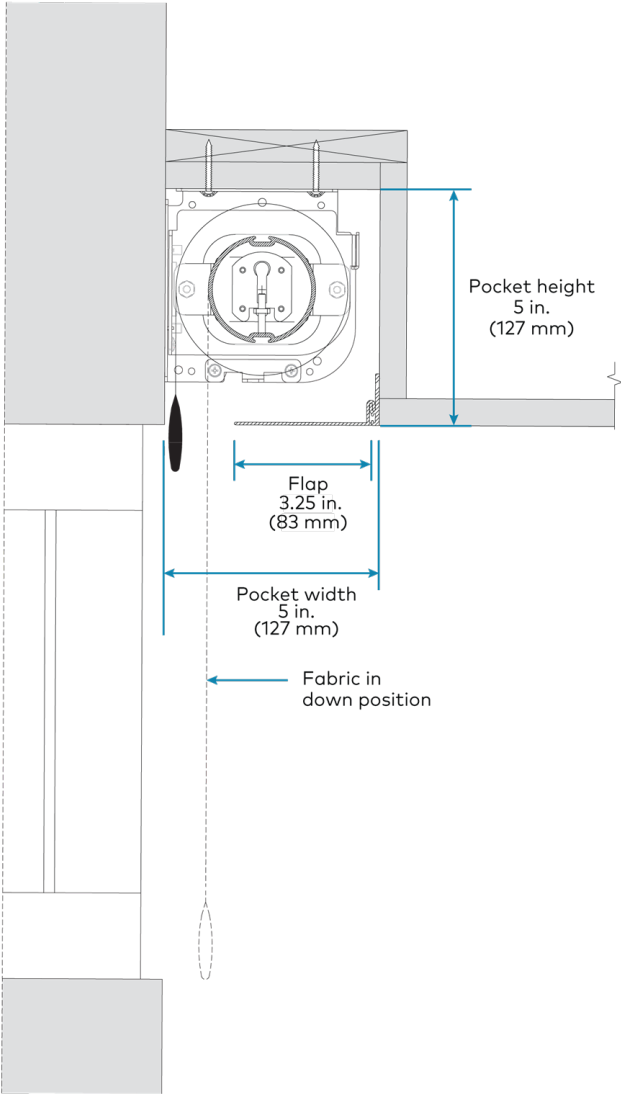


CSA-ARCH3-BRKT-DUAL in a Custom Pocket

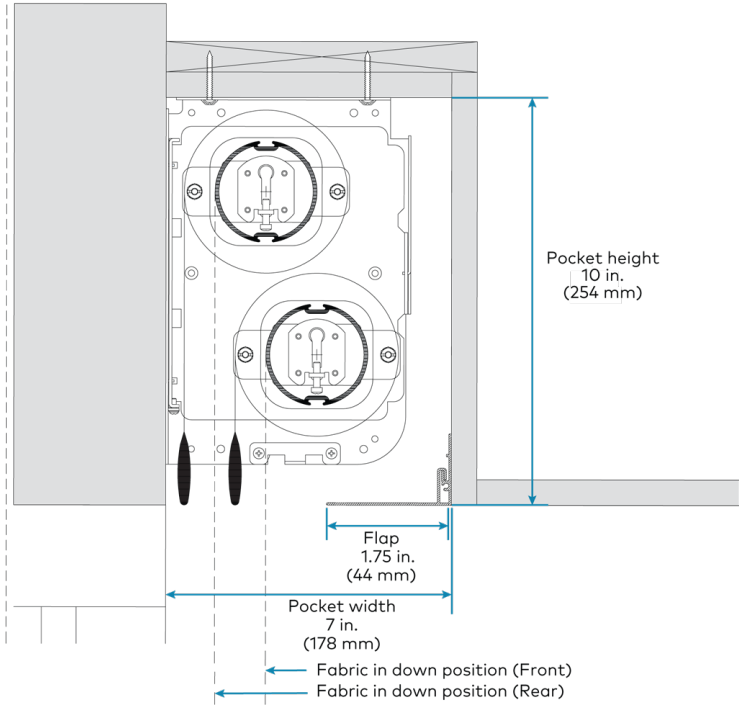


Creating Custom Pockets for QMT5 Series Architectural Brackets

CSA-ARCH5-BRKT in a Custom Pocket



CSA-ARCH5-BRKT-DUAL in a Custom Pocket



Crestron Drapery Track

Crestron Shading Solutions (CSS) offers a variety of components to assemble a drapery track that fits any application.

This section provides the following information:

- [Determining the Proper Drapery Track System](#)
- [Mounting Options](#)
- [Arm Types](#)
- [Splicing](#)
- [Track Styles](#)
- [Fabric Types](#)
- [Draw Types](#)
- [Measuring Guidelines](#)
- [Dimensions](#)

Determining the Proper Drapery Track System

Every drapery track system has a draw configuration and arm style. Draw configuration refers to the point or points on the track where the draperies are opened. Fabric can be opened using a left or right draw application. Fabric can also be opened using a center draw, asymmetric draw, or a multiple draw for spaces that require more than one opening.

Drapery fabrics are pleated into a pinch pleat or Ripplefold style to suit any décor.

Depending on their individual characteristics, drapery fabrics are pleated into one of several styles. The pinch pleat, and Ripplefold drapery styles are both supported by Crestron drapery track systems. The carriers from which the draperies hang attach to the fabric in patterns specifically designed to flatter the pleat style. The master carrier arm is also designed to complement the pleat style and draw configuration. For example, center-draw draperies with a pinch pleat often use an overlap arm where the fabric meets for an illusion of continuity when in the closed position. Ripplefold draperies with a center draw achieve a different aesthetic with arms that butt up against one another when the draperies are closed.

NOTE: To cover windows wider than 32 ft (9.8 m), multiple drapery tracks should be used.



Mounting Options

Draperies track system hardware can be mounted to a ceiling, on a wall, or inside a custom pocket (built by the customer).

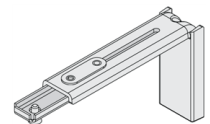
Ceiling Mount

Use cam-lock mounting brackets (CSA-DRP-CAM-LOCK) to secure the drapery track directly to the ceiling. Cam-locks have a handle that rotates to engage and secure the drapery track. In special circumstances where cam-locks cannot be used, the drapery track can be secured directly to the ceiling with screws.



Wall Bracket

Adjustable "L" brackets secure the drapery track system to a wall. The adjustable "L" brackets are available in single-track (CSA-DRP-BRKT) and dual-track (CSA-DRP-BRKT-DUAL) mounting configurations. Cam-locks secure the drapery track to the "L" brackets."



The "L" brackets can be adjusted to ensure that the drapery track is properly positioned on the wall.

NOTE: The "L" brackets are not intended for use in a pocket.



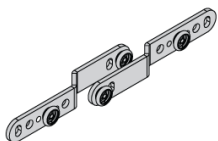
Pocket Mount

Customer fabricated pockets can be created to fully conceal the drapery track system. The drapery track system can be mounted in a pocket using cam-lock mounting brackets or screws.

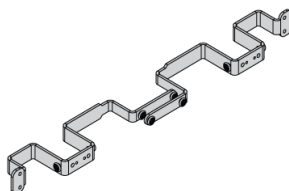
Arm Types

Draper track arms are available to cover a variety of different draw and fabric styles. The overlap arms prevent light from entering through the gap in the fabric. Butt arms help preserve the consistency of the Ripplefold aesthetic, although may not prevent light gaps in a center draw application."

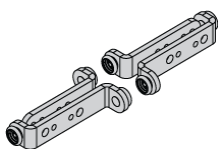
Center Draw Over/Underlap Arm (Pinch Pleat and Ripplefold)



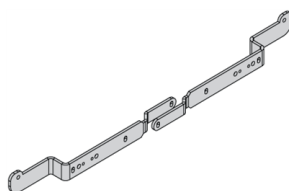
Extended Over/Underlap Arm (Ripplefold)



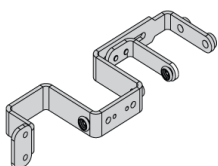
Center Draw Butt Arm (Ripplefold)



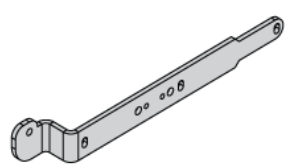
Extended Over/Underlap Arm (Pinch Pleat)



One-Way Butt Arm (Ripplefold)



One-way Arm (Pinch Pleat)



Splicing

To provide a convenient solution for shipping and installing long drapery tracks, drapery tracks can be spliced. When a drapery track is spliced, it is shipped in shorter sections and then assembled at the installation site to create a full length track. When spliced, a drapery track can be made up to 32 ft (9.8 m) in length.

Drapery Track Splicing Rules:

- No more than two splices should be used on one track length.
- Splices can only be made along straight sections. A minimum of 10 in. (254 mm) of straight section is required on both sides of a splice on any curved, S curved, or bent sections of a track.
- The recommended splice location for center and asymmetric draw is at the draw location. The recommended splice location for a one-way draw is furthest away from the motor.
- The maximum drapery track length is 32 ft (9.8 m) with splices.
- The maximum drapery track length without a splice is 20 ft (6 m).
- The maximum width of a drapery track shipping container is 5 ft (1.5 m). Bent and curved tracks may require additional splices to meet the shipping container constraints.

NOTE: Splices create a slight gap in the drapery track. As the carriers travel across the gap in the drapery track, a slight click may be heard.

Track Styles

Crestron Drapery Tracks are available in straight track, bent track, and curved track configurations that conform to virtually any wall configuration. The Drapery Tracks are made of aluminum and available in white or brown.

Drapery Track Length	Straight Track	Single Bend	Dual Bend	Curved
0 to 20 ft (0 to 6 m)	175 lbs (79 kg)	110 lbs (50 kg)	80 lbs (36 kg)	80 lbs (36 kg)
20 to 32 ft (6 to 9.8 m)	145 lbs (66 kg)	100 lbs (45 kg)	80 lbs (36 kg)	80 lbs (36 kg)

Straight Track

Straight track is used in most applications where the window and wall are flat and on the same plane.

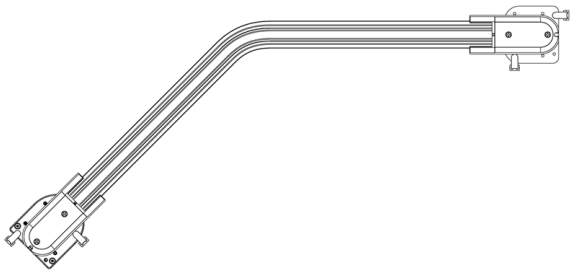
Bent Track

Bent drapery tracks can be used for bay windows, corner conditions, ect. This allows a single motor to control a drapery spanning multiple sections of straight track with intermittent 45° or 90° bends."

NOTE: Bent tracks have a minimum bend radius of 19 in. (483 mm).

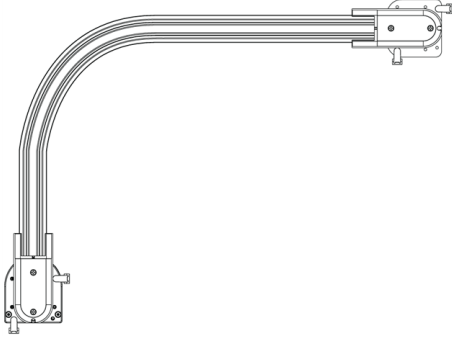
A standard bent track uses 45° and 90° bends in the track. For nonstandard bends, submit a template that can be used by our production facility to match the layout of your room. For information on drapery track templates, refer to the [CSA-DRAPERY-TEMPLATE-KIT Instruction Guide](#) (PDF) (Doc 7821).

Drapery Track with a 45° Bend



The 45° bend drapery track has a minimum bend radius of 19 in. (483 mm).

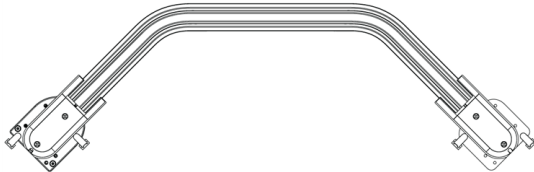
Drapery Track with a 90° Bend



Drapery Track with a 90° Double Bend



Drapery Track with a 45° Double Bend



NOTE: Double bend tracks may incorporate a splice along the middle section for ease of shipping.

Curved Track

Curved drapery tracks can be installed in any application that has a continuously curved window. This allows smooth coverage of a curved wall, or other applications. A standard curved track can be built in lengths up to 20 ft (6 m). Custom bends are also available.

NOTE: The curved drapery track has a minimum arc radius of 10 ft (3 m).

Templates are required for all curved drapery tracks. To submit a template, refer to the [CSA-DRAPERY-TEMPLATE-KIT Instruction Guide](#) (PDF) (Doc 7821).

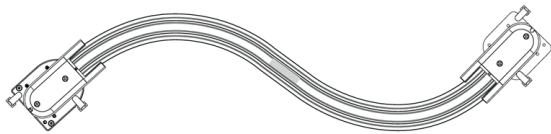
NOTE: Splices are not recommended on a curved track.

Drapery Track with a 10 ft (3 m) Arc Radius



The S Curve drapery tracks can be made only by splicing two bends together and must have a straight section at each end of the curves where they meet in order to place the splice. There must be a minimum of 10 in. (254 mm) of straight track before and after the splice in S Curve drapery tracks. The minimum radius for a continuous curve is 10 ft (3 m).

S Curve



Fabric Types

The fabric for Crestron Drapery Track systems is provided by your local drapery fabric supplier. Fabric can be designed to be hung using a pinch pleat style or ripplefold style.

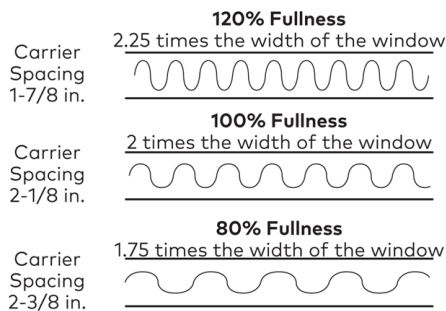
Pinch Pleat

The pinch pleat style has a pleated look created by a pinched, consistent gathering of fabric at the top of the drapery panel. The pin-on hooks, inserted into the back of the pleats, hang from the carriers on the drapery track.

Ripplefold

The Ripplefold style uses snap tape sewn directly on the back of the drapery panel. The drapery panel snaps directly to the carriers on the drapery track. Snap carriers are available in 80%, 100%, or 120% fullness. The distance between the carriers strung together defines the fullness.

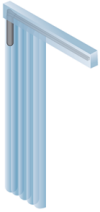
Ripplefold Drapery Fullness



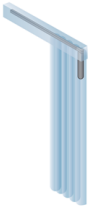
Draw Types

Drapery track draw styles are available for almost any application or room shape. The draw configuration refers to the point or points on the track where the draperies can be opened.

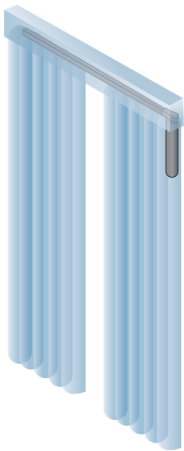
- **Left Draw** - Drapery fabric opens from the right to the left. The motor is mounted on the left end of the drapery track.



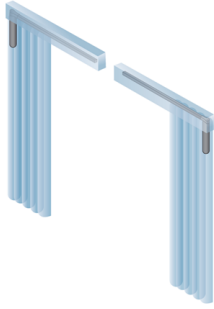
- **Right Draw** - Drapery fabric opens from the left to the right. The motor is mounted on the right end of the drapery track.



- **Center Draw** - Drapery fabric opens from the middle of the drapery track. The fabric on the left travels to the left, the fabric on the right travels to the right. The motor is mounted on either the right or left end of the drapery track.



- **Dual Draw** - A left draw drapery track and a right draw drapery track are installed next to each other. Drapery fabrics open from the middle of the drapery track. The fabric on the left drapery track travels to the left, the fabric on the right drapery track travels to the right.



- **Asymmetric Draw** - Similar to center draw, but the fabric opening is not centered on the track. The fabric on the left travels to the left, the fabric on the right travels to the right. The motor is mounted on the right or left end of the drapery track.



NOTE: The asymmetric draw (where the drapery is wider on one side) may be more appropriate for a window that is not centered on the wall. This draw style will only fully open for the shorter distance of travel between the master carrier and the end of the track. The multiple draw may be more appropriate for one long track that is used for two individual window openings.

Measuring Guidelines

Refer to the information below when measuring for a drapery track system:

- Measure the drapery track width at the top of the window where the drapery track system will be mounted.
- Check each window frame for level and plumb.
- To accommodate the stackback width when mounted in a pocket, the track must be centered in a space at a minimum of 6.5 in. (165 mm) wide for single tracks and 11 in. (280 mm) for dual tracks in order for the drapery to move freely.
- Drapery tracks should be mounted at least 3.5 in. (89 mm) from the wall.
- Inspect the window and the area around the window for obstructions (knobs, sills, etc.) that may block the travel of the drapery.
- Drapery stackback, typically 1/3 of the total track length, is an area that will always be covered by fabric when the drapery is open. In a center draw configuration, the 1/3 stackback will be split, with 1/6 on the left and 1/6 on the right. When possible, the drapery stackback should be positioned covering the wall adjacent to the window in question. If the stackback is going to be partially obstructing the view out the window, it is important to set this expectation with the customer.
- For a drapery track that measures greater than 20 ft (6 m) in length, a splice is required. A splice is when one long track is broken up into two or more shorter tracks. For more information on drapery track splicing, refer to [Splicing on page 54](#).
- If using an asymmetric draw drapery track, consider the drapery track location. An asymmetric draw is when the drapery is wider on one side. For more information, [Draw Types on page 59](#).
- If a curved or bent drapery track is to be used, refer to [Track Styles on page 55](#) and to the [CSA-DRAPERY-TEMPLATE-KIT Instruction Guide](#) (PDF) (Doc 7821).

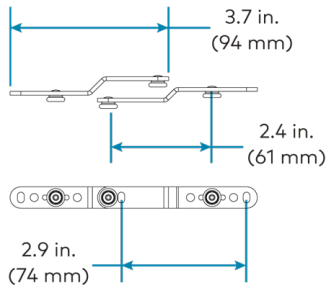
For more information, refer to the [Shade Measuring Worksheet: Drapery System](#) (PDF) (Doc. 7922) located on the CSS web page.

Dimensions

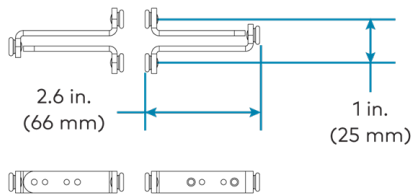
The dimensions for parts of the Drapery Track system are shown in the following illustrations.

Arm Dimensions

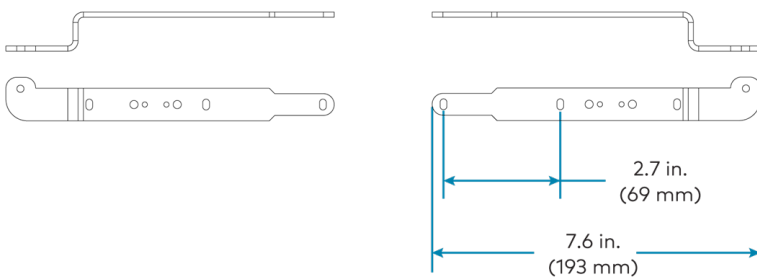
Center Draw Over/Underlap Arm



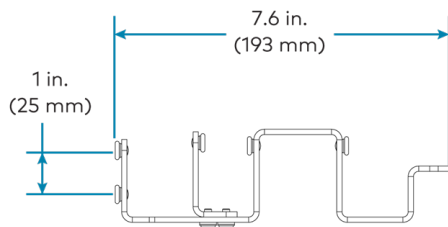
Center Draw Butt Arm (Ripplefold)



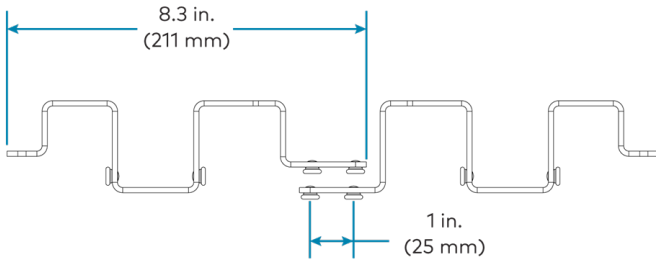
One-Way Arm (Pinch Pleat)



One-Way Butt Arm (Ripple Fold)

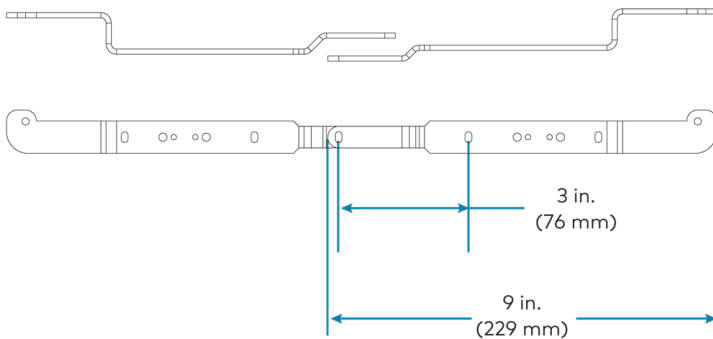


Extended Over/Underlap Arm (Ripple Fold)



NOTE: The Extended Over/Underlap Arm (Ripple Fold) will extend 0.7 in. (18 mm) past the end of the drapery track.

Extended Over/Underlap Arm (Pinch Pleat)

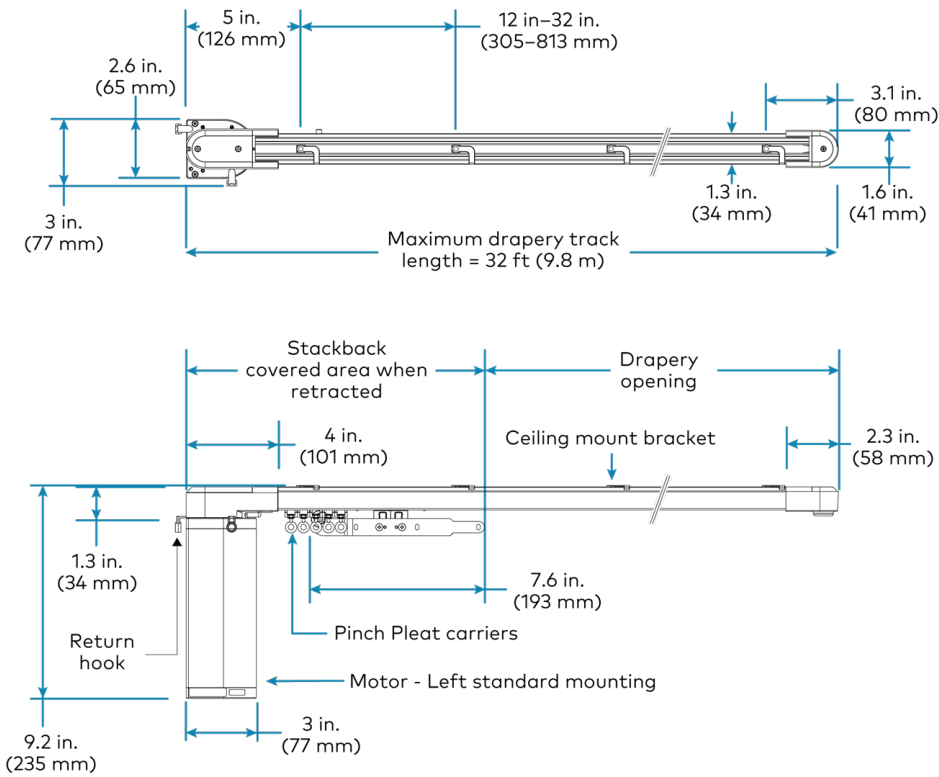


NOTE: The Extended Over/Underlap Arm (Pinch Pleat) will extend 1.5 in. (38 mm) past the end of the drapery track.

Drapery Track Ceiling Mount Configurations

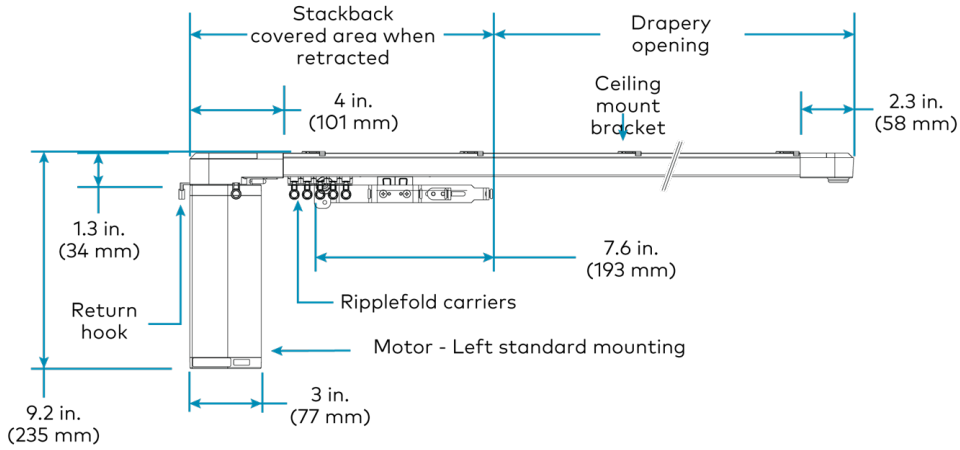
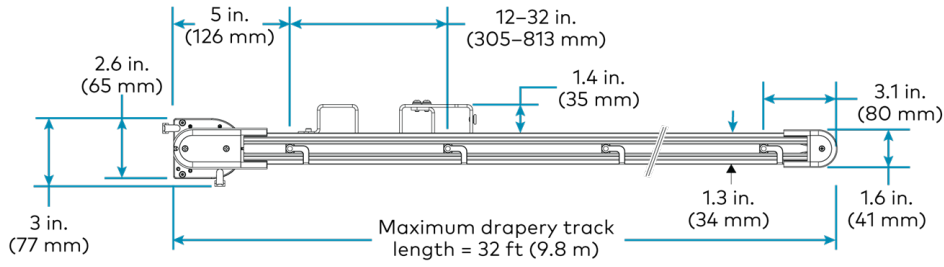
This section provides several different types of ceiling mounted drapery tracks.

One Way Pinch Pleat Arm Ceiling Mount Drapery Track - Top and Front Views



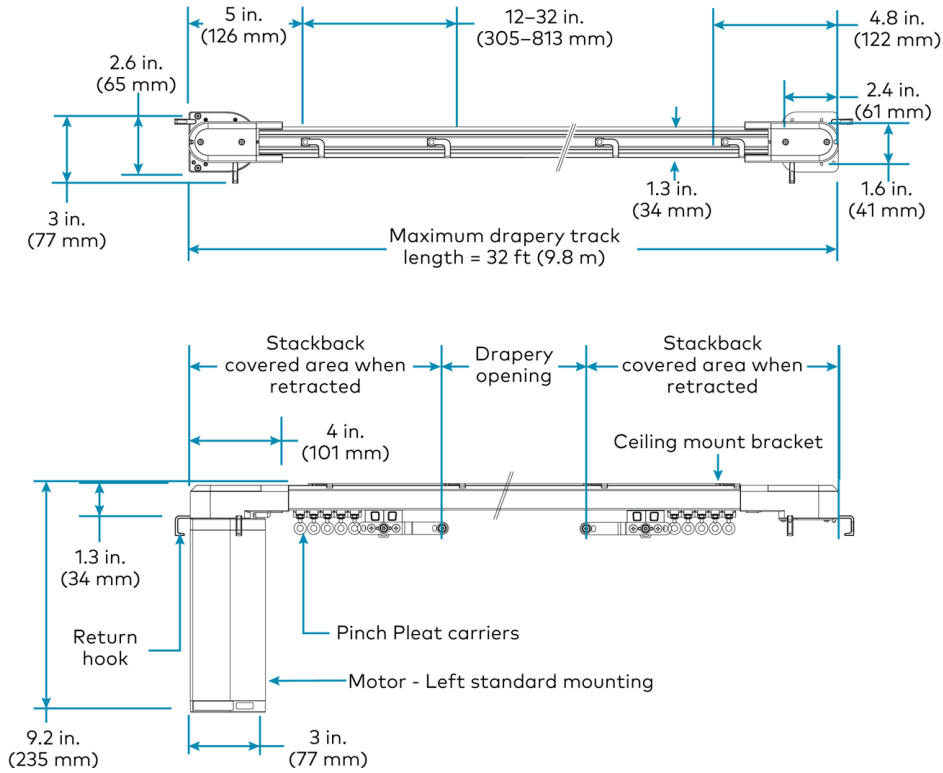
NOTE: Additional brackets may be required in the stackback area under heavy load conditions.

One Way Ripplefold Butt Arm Ceiling Mount Drapery Track - Top and Front Views



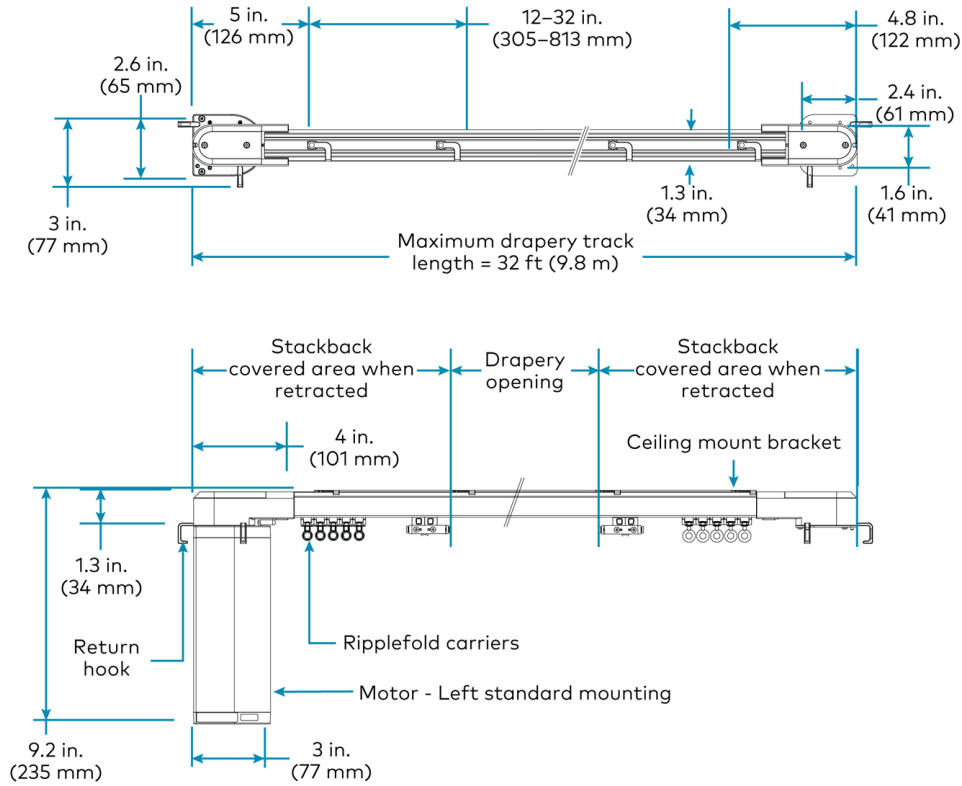
NOTE: Additional brackets may be required in the stackback area under heavy load conditions.

Center Draw Pinch Pleat Arm Ceiling Mount Drapery Track - Top and Front Views



NOTE: Additional brackets may be required in the stackback area under heavy load conditions.

Center Draw Ripplefold Butt Arm Ceiling Mount Drapery Track - Top and Front Views

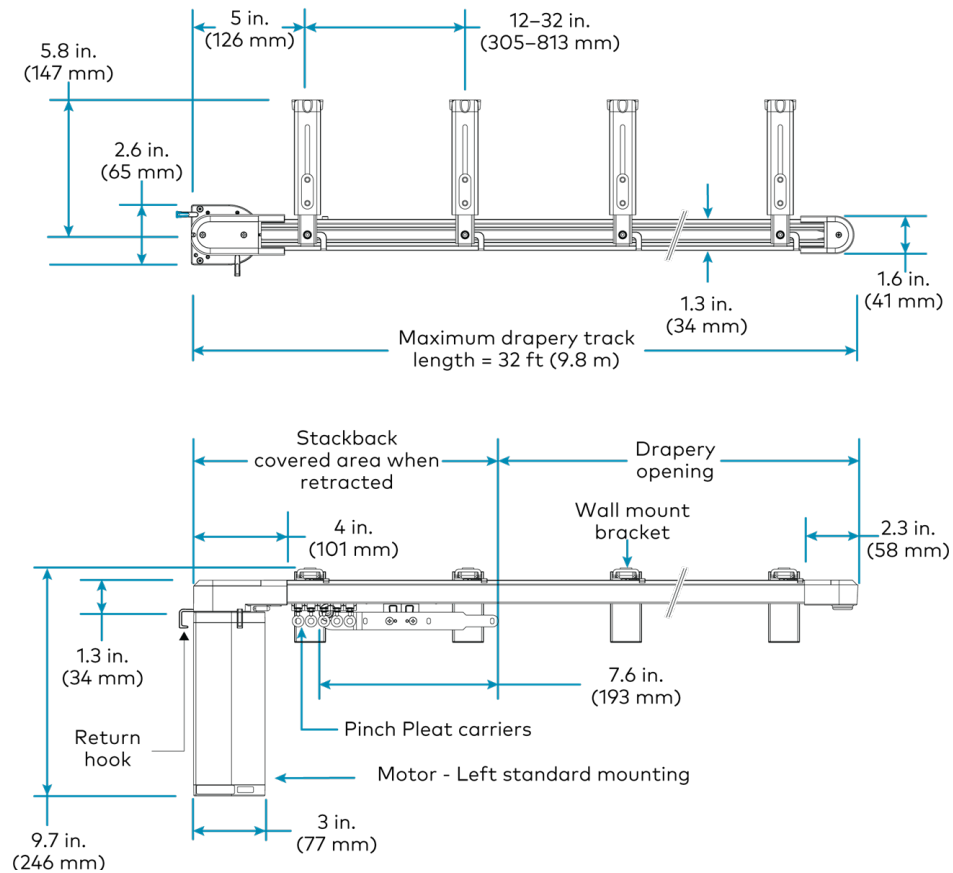


NOTE: Additional brackets may be required in the stackback area under heavy load conditions.

Drapery Track Wall Mount Configurations

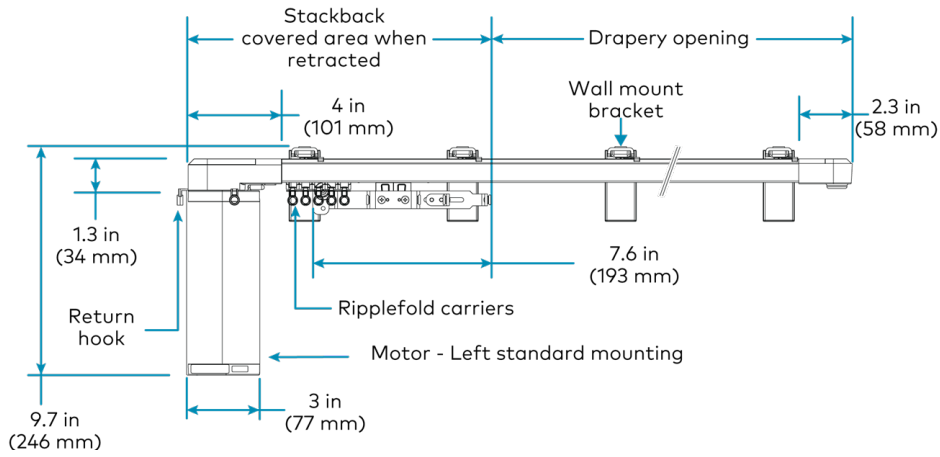
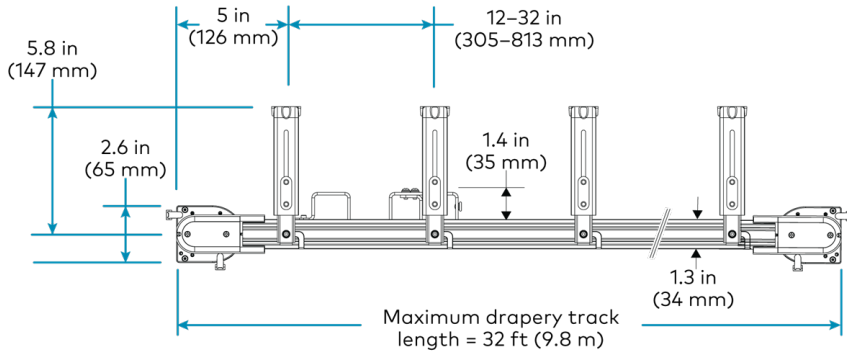
This section provides several different types of wall mounted drapery tracks.

One Way Pinch Pleat Wall Mount Drapery Track - Top and Front Views



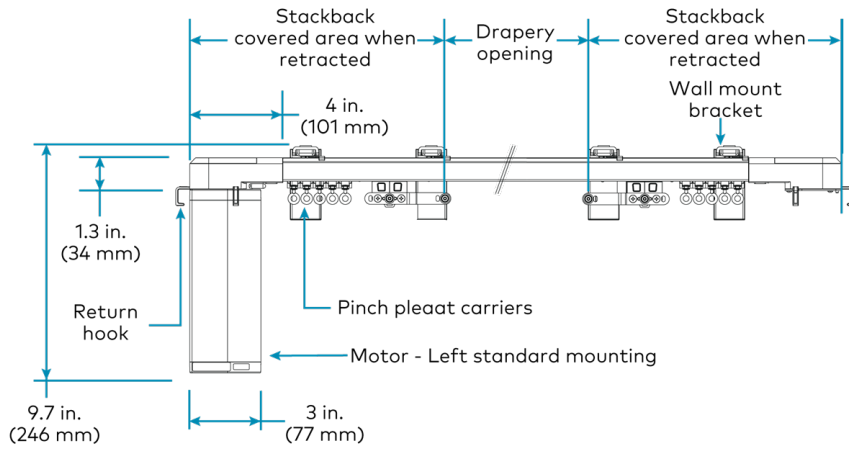
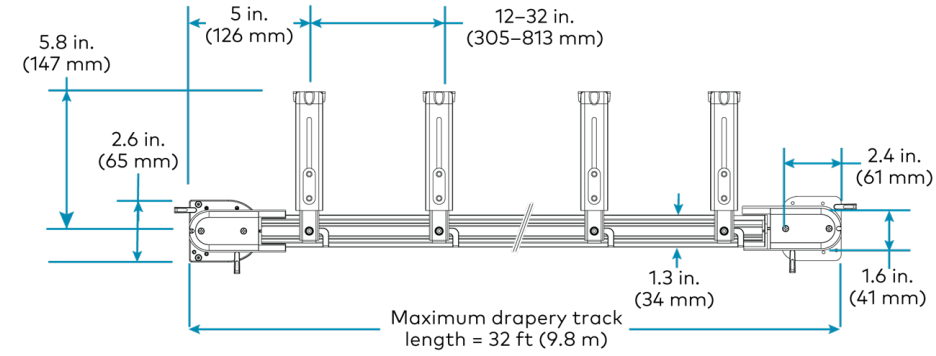
NOTE: Additional brackets may be required in the stackback area under heavy load conditions.

One Way Ripplefold Butt Arm Wall Mount Drapery Track - Top and Front Views



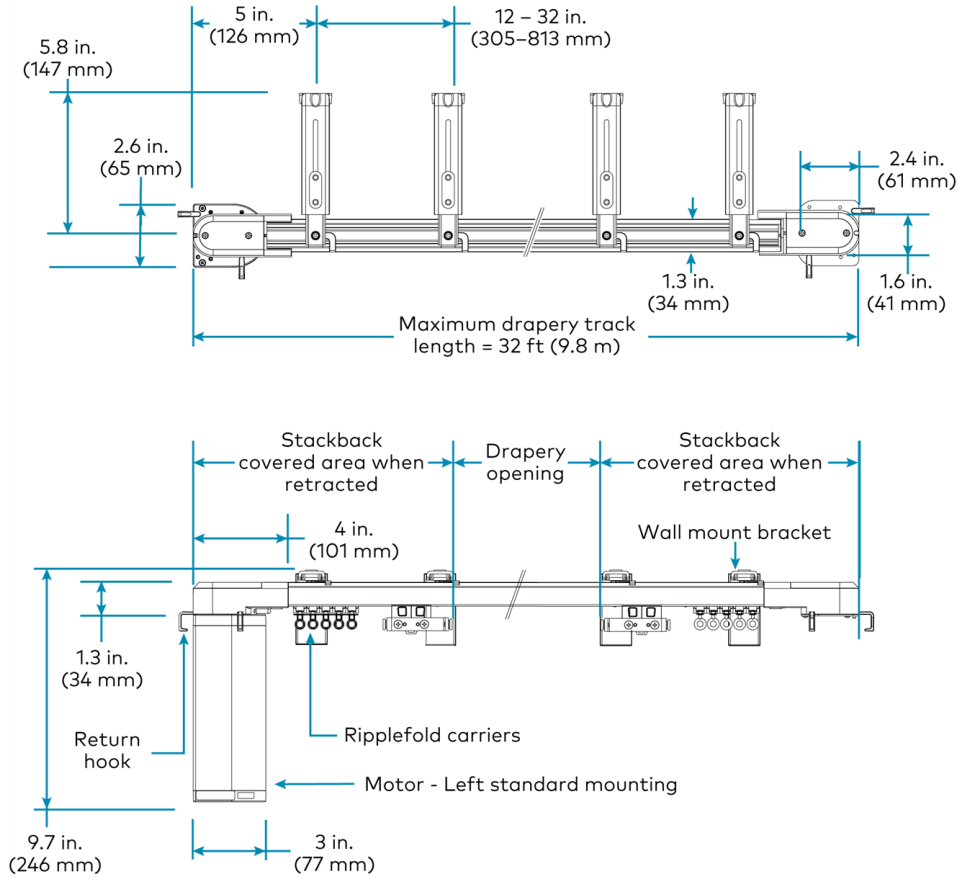
NOTE: Additional brackets may be required in the stackback area under heavy load conditions.

Center Draw Pinch Pleat Arm Wall Mount Drapery Track - Top and Front Views



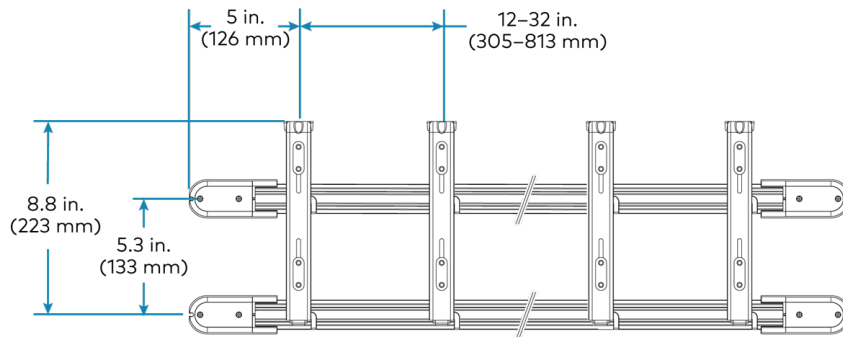
NOTE: Additional brackets may be required in the stackback area under heavy load conditions.

Center Draw Ripplefold Butt Arm Wall Mount Drapery Track - Top and Front Views



NOTE: Additional brackets may be required in the stackback area under heavy load conditions.

Dual Spacing Wall Mount Drapery Track



NOTE: Additional brackets may be required in the stackback area under heavy load conditions.

Designing and Specifying

When designing or specifying a Crestron shade or drapery track system, adhere to the following:

- Do not take the final window measurements until the trim is installed and construction around the windows is complete.
- Measure the width of the shade or drapery track system where it will be mounted (top of window). It is likely that the window frame is not perfectly square, so be sure to measure the top, middle, and bottom widths of the window frame.
- Make sure that there is blocking behind the location where the shades and drapery track system will be mounted, or make note of the type of shade mounting surface, so that the installer can plan to bring the appropriate fasteners.
- Talk to the owner or designer when outside mounting a shade, if the window has trim decide whether to cover the trim completely with fabric, half of it, or any other portion.
- Take into consideration obstructions in the window opening, and above and below the window (crank handles, baseboards, and tilting windows, etc.) to ensure that the shade does not snag while moving.
- Take note of HVAC ductwork. Air blowing directly on a shade or drapery track system may affect performance. Prolonged exposure to heat may also damage the fabric.
- Verify that the usable roll width of the selected fabric can accommodate the window size.
- Verify that the selected bracket will fit in the jamb or pocket that is specified.
- The manual clutch roller shades are equipped with a Chainhold Tensioning Device. This is attached to the chain during fabrication. It will partially prevent the shade operation if not properly installed. The tensioning device should be installed properly to ensure compliance and shade operation.

Programming

When programming Crestron shades or drapery track systems, adhere to the following:

- Be sure that shade or drapery track system motors are running on the most recent Crestron firmware.
- Use dedicated Open and Close buttons to control shades or drapery track systems. The first press of the button sends the shade or drapery track system to the open or closed limit. A second press of the button stops the shade or drapery track system.
- Check if button real estate is at a premium at the location, and if so use a single button for control. An Open/Stop and Close/Stop control is how a typical garage door opener works and easily understandable.
- Do not control shades that are not in view, because there may be an object left on a windowsill or another obstruction that prevents the shade or drapery track system from moving freely. This could result in damage to the fabric, or damage to the obstruction.

Wiring and Power

Use Cresnet cable and Crestron power supplies when installing and connecting shades and drapes. Refer to the following wiring and power supply options.

Wiring

- Use Cresnet cable for power and communication.
- The maximum Cresnet cable length between the power supply and a QMT shade and drape motor:
 - **Cresnet Cable:** 130 ft (39.5 m) maximum.
 - **Cresnet HP Cable:** 500 ft (152 m) maximum.
- Each QMT shade and drape motor requires a dedicated power supply output.
 - Do not daisy-chain QMT shade and drape motors.
 - The QMT shade and drape motor must be home-run from the power supply.

Power Supplies

Use a Crestron power supply to power Crestron QMT Shade and Drape motors. Crestron offers a single-motor power supply and a ten-motor power supply.

Single-Motor Power Supply

The Crestron [CSA-PWS40](#) (domestic) and [CSAI-PWS40](#) (international) are outlet-mountable power supplies that provide power for a QMT Shade or Drape motor. Single-motor power supplies are especially useful when providing power from a local outlet to an infiNET EX wireless motor.



Ten-Motor Power Supply

The [CSA-PWS10S-HUB-ENET](#) Power Supply powers up to 10 (home run) Crestron Shade or Drape motors with independent connections. There are five communication segments which handle two motors each. System communication options are Ethernet or Cresnet. Multiple power supplies can be daisy chained with Cresnet. There is a recommended maximum of three CSA-PWS10S-HUB-ENET power supplies per Ethernet connection to minimized potential latency.



Ordering Guidelines

When ordering Crestron shades or drapery track systems, adhere to the following:

- Do not order shades or drapery track systems before it is necessary, as they can be damaged if left lying around. Shades and drapery track systems are typically the last technology to install.
- Measure multiple times and take the final measurements after all trim work and painting is complete.
- Review the window for deductions on inside mount shades in the Crestron Design Tool (CDT). Either use CDT, or calculate the deductions yourself before entering the dimensions.
- Order fascia and the top and back cover separately and at a longer length than required so that the metal extrusions can be cut on-site for a perfect fit.

Installation Guidelines

When installing Crestron shades or drapery track systems, note the following:

- Do not install shades or drapery track systems when construction is still in progress. If it is absolutely necessary to perform shade or drapery track system installation work while construction is in progress:
 - Leave the paper wrapping on the package.
 - Mount all brackets and terminate wires with connectors.
 - Install the shade or drape fabric after construction is complete. Mounting the fabric and making power and data connections is a fast process that only takes a few minutes.
- Make sure that the painting at the location is complete to avoid getting paint on the shade fabric.
- For optimal performance, mount shades and drapery track systems so that they are level.
- To ensure a perfect fit when installing shades with Crestron fascia that is provided with the shade:
 1. Secure the brackets to the fascia and then hold the bracket and fascia assembly in the desired installation location.
 2. Mark the location of both brackets.
 3. Remove the bracket from the fascia and then mount the brackets.
- For wall-mount applications, thick trim may require shimming the bracket away from the wall or reversing the roll of the shade so that the fabric does not contact the trim.
- Properly dress all wiring. Wires or connectors that make contact with the shade tube or fabric will make noise and potentially damage the fabric.
- After the shade is hung:
 - The factory set defaults will likely need to be adjusted. Do not raise or lower the shade without being able to monitor the shade. If necessary, someone needs to be in front of the shade with the ability to stop the motor.
 - Check for telescoping. The first time the shade travels up after installation is the most critical time to verify the shade is traveling straight. Telescoping is adjusted at the factory, but may still occur if the shade is not level. It is important to fix the problem before damage to the fabric occurs. All Crestron shade brackets have adjustments built in to minimize telescoping, but sometimes shim tape may need to be used.
 - Check the shade for frayed edges and, if necessary, trim the frays. Frayed edges are not a manufacturing defect. Fraying occurs from handling shades and is most common with PVC coated fiberglass fabrics.
- Return to the work site after 30 and 90 days to check limits, telescoping, and trim frayed edges.

Shipping and Receiving Shades

When shipping and receiving Crestron shades or drapery track systems, adhere to the following:

- The maximum box length sent via UPS is limited. If the shade or drapery track system is more than 92 in. long, shipping via motor freight is necessary. In most cases, this means the products cannot ship overnight. In cases where it is possible to ship overnight, the shipping fees may be cost prohibitive.
- When shades or drapery track systems are shipped to or received at a home that is under construction, a semitruck may not be able to deliver to the house. The truck may need to be met at the street.
- Remember that someone needs to be present at the shipping location to receive the shades.
- If there are several shades delivered on a pallet, be prepared to use a forklift to get the shades off the truck. If a forklift is not available at the time of delivery, it may be necessary to break the pallet down by hand to unload the cartons off the truck. If lift gate service is required, please let Shade Support know when placing the order.
- Do not stand shade cartons on the ends; this could wrinkle or damage the fabric.
- Splices can be used to split drapery tracks for shipping purposes.
- Check to be sure that long shades or drapery track systems can be maneuvered around the location. Remember that shades or drapery track systems may not fit in elevators or up staircases.
- Install the shades within 2-3 weeks of receipt. Keeping the shades in their original cartons may create impressions on the fabric. Impressions typically "hang out" over time when the shade is hung in the window or can be coaxed with a hair dryer.

Fabric Care and Maintenance

How to Clean Fabric

Refer to the care instructions for the fabric to determine the appropriate cleaning methods. Consult a reputable dry cleaner when fabric requires dry cleaning.

Roller Shade Fabric Edge Fray

Some shading fabrics are manufactured using PVC coated fiberglass yarns. During the cutting process the PVC coating is melted together on the shade edges. Inevitably, some fiberglass strands may not be completely sealed. Over time, the fiberglass strands can fray slightly and become noticeable. Simply trim away frayed fibers.

While the bigger more noticeable frays are trimmed by the manufacturer at the factory, smaller frays can reappear during shipping, installation, or over time from daily operation. But don't worry, with a pair of scissors this is an easy problem to fix. With your fingers, fluff the fabric edge so that all frays are visible, then simply trim them away with your scissors.

Detailing the Cut Edges

Primarily noticeable on dark fabrics, white fiberglass yarns may be visible even after you've trimmed the frayed edges. With a permanent marker you can easily color the white fiber ends so they blend in with the fabric. For best results use a quick drying marker. Black, brown, or gray markers generally blend in best with most dark fabrics.

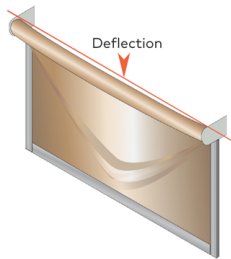
If you have a two-colored fabric, make sure to select a marker color that matches the lighter colored fabric. Test a hidden spot first to ensure that the colors match. To prevent markers from bleeding onto the fabric and staining the edge of the shade, go slowly and handle your markers with care.

Minimizing Fraying

It's important to give your shades a clear path in which to operate. By keeping your shade fabric from rubbing on other objects, unwanted fraying can be minimized or prevented. Telescoping, as mentioned above, can also increase fraying - particularly when the fabric edge starts rubbing against the shade brackets.

Glossary

Deflection:

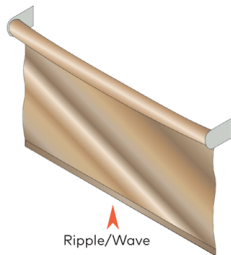


As a shade increases in width, the metal tube begins to sag due to the diameter of the tube and the weight of the fabric.

"V" or "V-ing", "A" or "A-ing":

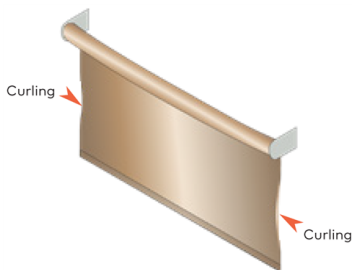
When deflection is present in the tube, the fabric sags and produces a "V" or "A" shape typically in the center of the shade.

Ripple/Wave:



Vertical ripples in the fabric. Ordering shades with battens can help minimize this effect.

Curling/Cupping:



The edges of the fabric panel curl. It starts out normal at the top near the tube, becomes more pronounced toward the middle of the panel, and then lessens as it gets closer to the hembar. Ordering shades with battens can help minimize this effect.

Twisting:

Typically visible on tall and narrow shades where the fabric twists vertically.

Telescoping:

The tendency for a shade fabric to not roll up perfectly square with the shade tube. The fabric will telescope to the right or left and hang over the side of the tube. All shades are adjusted at the factory to ensure proper tracking. Actual installation conditions may prevent the shade from tracking properly. The levelness of the mounting surface is the most common cause of telescoping.

Resources

The following resources are provided for the Crestron Shading Solutions.

NOTE: You may need to provide your Crestron.com web account credentials when prompted to access some of the following resources.

Crestron Support and Training

- [Crestron True Blue Support](#)
- [Crestron Resource Library](#)
- [Crestron Online Help \(OLH\)](#)
- [Crestron Training Institute \(CTI\) Portal](#)

Programmer and Developer Resources

- help.crestron.com: Provides help files for Crestron programming tools such as SIMPL, SIMPL#, and Crestron Toolbox™ software
- developer.crestron.com: Provides developer documentation for Crestron APIs, SDKs, and other development tools

Product Certificates

To search for product certificates, refer to support.crestron.com/app/certificates.

Related Documentation

- [Crestron Design Tool Shades \(CDTS\)](#)
- [Crestron Shading Solutions Feature Page](#)
- [crestron.com/shadesafety \(PDF\)](#)
- [CS-SHADE-ROLLER-BATT](#)
- [CS-SHADE-ROLLER-CABLEGUIDED \(PDF\)](#)
- [CS-SHADE-ROLLER-HSHEER \(PDF\)](#)
- [CSA-DRAPERY-TEMPLATE-KIT \(PDF\)](#)
- [CSA-PWS10S-HUB-ENET \(PDF\)](#)
- [CSA\(I\)-PWS40 \(PDF\)](#)

- [Shade Measuring Worksheet Drapery System \(PDF\)](#)
- [Shade Measuring Worksheet Single roller and In-line Coupled \(PDF\)](#)

