

TSS-752

7" Room Scheduling Touch Screen

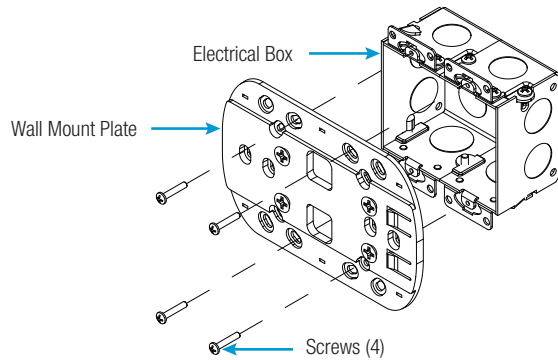
DO Install the Touch Screen

The Crestron® TSS-752 touch screen installs into a standard 2-gang (or horizontally mounted 1-gang) U.S. electrical box, a 2-gang European electrical box, or a 2-gang U.K. electrical box. It can also be installed over a small cutout (for Ethernet access) on virtually any mounting surface.

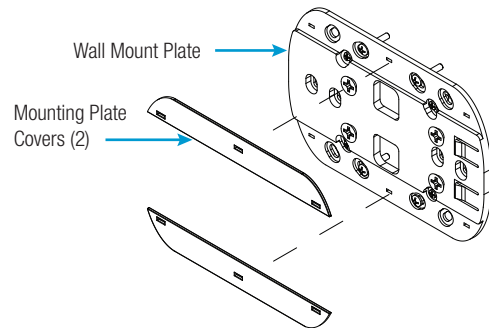
To mount the TSS-752 into an electrical box, use the following procedure:

1. Use four of the eight included screws (four 06-32 x 3/4" or four M3 x 16 mm) to attach the wall mount plate to the electrical box.

NOTE: For U.S.-style installations, use the 06-32 x 3/4" screws and a #2 Phillips screwdriver. For European-style installations, use the M3 x 16 mm screws and a #1 Phillips screwdriver or equivalent.



2. Gently snap the two mounting plate covers into place to hide the screws going into the electrical box.



DO Check the Box

QTY	PRODUCT	COLOR	PART NUM.
1	Key		4519804
4	Screw, 06-32 x 3/4", Truss Head, Combo		2009211
4	Screw, M3 x 16 mm, Flat Head, Phillips		2013788
2	Screw, M3.5 x 25 mm, Pan Head, Phillips		2028659

Items for TSS-752-B-S Only

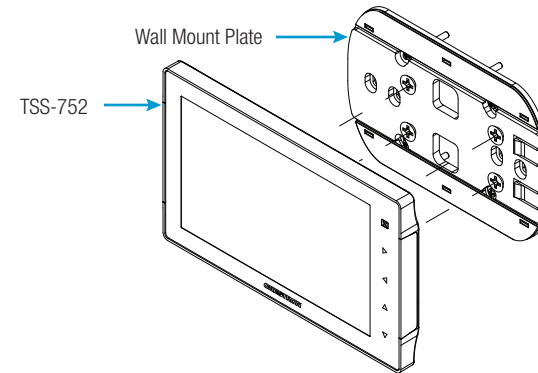
2	Cover, Mounting Plate, Low Profile	Black	4520153
1	Plate, Plastic, Wall Mount, 6.27" x 4.21" x 0.38"	Black	4519719

Items for TSS-752-W-S Only

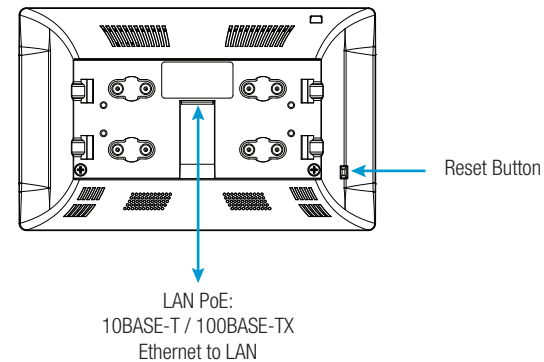
2	Cover, Mounting Plate, Low Profile	White	4520152
1	Plate, Plastic, Wall Mount, 6.27" x 4.21" x 0.38"	White	4519681

3. Carefully position the TSS-752 over the wall mount plate to engage the four screws protruding from the wall mount plate. Slide the TSS-752 to the left until it clicks into place.

NOTE: In some situations where there may not be enough room to slide the TSS-752 to the left, the wall mount plate can be installed with the locking tabs on the left side. In such cases, attach the TSS-752 by sliding it to the right until it clicks into place.



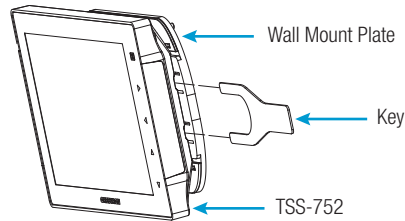
4. Make connections to the TSS-752 using Crestron power supplies for Crestron equipment. Apply power after all connections have been made.



DO Remove the Touch Screen from the Wall Mount Plate

In the event it becomes necessary to remove the TSS-752 from the wall mount plate, use the following procedure:

1. On the side of the wall mount plate with the two locking tabs, insert the included key between the back of the TSS-752 and the wall mount plate.



2. Gently pull the key so its tines depress the locking tabs on the wall mount plate. At the same time, slide the TSS-752 to the right about 1/4" (~7 mm) to unlock it from the wall mount plate.

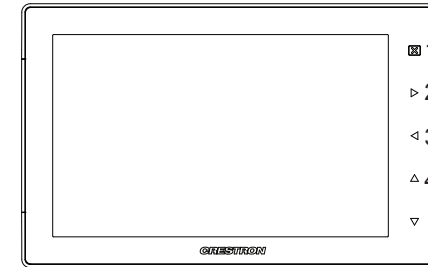
DO Access the Setup Screens

NOTE: The TSS-752 can take up to 45 seconds to boot.

The setup screens enable basic configuration prior to regular operation of the TSS-752.



To access the setup screens after the TSS-752 boots to the Crestron Fusion® Cloud software “Offline” screen, press the hard keys labeled below as 1, 2, 3, and 4 in sequence, twice (press 1, 2, 3, 4, 1, 2, 3, 4) within a 5-second period.



NOTE: For details on configuring the TSS-752, refer to Doc. 7602 at www.crestron.com/manuals. For details on scheduling with Crestron Fusion and the TSS-752, refer to Doc. 7552.

DO Learn More

Visit the website for additional information and the latest firmware updates. To learn more about this product, use a QR reader application on your mobile device to scan the QR image.

Crestron Electronics
15 Volvo Drive, Rockleigh, NJ 07647
888.CRESTRON | www.crestron.com



CE As of the date of manufacture, the product has been tested and found to comply with specifications for CE marking.

Federal Communications Commission (FCC) Compliance Statement

This device complies with part 15 of the FCC Rules. Operation is subject to the following two conditions:

(1) This device may not cause harmful interference, and (2) this device must accept any interference received, including interference that may cause undesired operation.

Caution: Changes or modifications not expressly approved by the manufacturer responsible for compliance could void the user's authority to operate the equipment.

Note: This equipment has been tested and found to comply with the limits for a Class B digital device, pursuant to part 15 of the FCC Rules. These limits are designed to provide reasonable protection against harmful interference in a residential installation. This equipment generates, uses and can radiate radio frequency energy and, if not installed and used in accordance with the instructions, may cause harmful interference to radio communications. However, there is no guarantee that interference will not occur in a particular installation.

If this equipment does cause harmful interference to radio or television reception, which can be determined by turning the equipment off and on, the user is encouraged to try to correct the interference by one or more of the following measures:

- Reorient or relocate the receiving antenna.
- Increase the separation between the equipment and receiver.
- Connect the equipment into an outlet on a circuit different from that to which the receiver is connected.
- Consult the dealer or an experienced radio/TV technician for help.

Industry Canada (IC) Compliance Statement

CAN ICES-3(B)/NMB-3(B)

Crestron product development software is licensed to Crestron dealers and Crestron Service Providers (CSPs) under a limited non-exclusive, non-transferable Software Development Tools License Agreement. Crestron product operating system software is licensed to Crestron dealers, CSPs, and end-users under a separate End-User License Agreement. Both of these Agreements can be found on the Crestron website at www.crestron.com/legal/software_license_agreement.

The specific patents that cover Crestron products are listed at <http://www.crestron.com/legal/patents>.

The product warranty can be found at www.crestron.com/warranty.

Certain Crestron products contain open source software. For specific information, please visit www.crestron.com/opensource.

Crestron, the Crestron logo, and Crestron Fusion are either trademarks or registered trademarks of Crestron Electronics, Inc. in the United States and/or other countries. Other trademarks, registered trademarks, and trade names may be used in this document to refer to either the entities claiming the marks and names or their products. Crestron disclaims any proprietary interest in the marks and names of others. Crestron is not responsible for errors in typography or photography.

This document was written by the Technical Publications department at Crestron.

©2016 Crestron Electronics, Inc.