

Crestron **CNRMIRD**

Infrared Detector

Operations Guide



This document was prepared and written by the Technical Documentation department at:



Crestron Electronics, Inc.
15 Volvo Drive
Rockleigh, NJ 07647
1-888-CRESTRON

Contents

Infrared Detector: CNXRMIRD	1
Description	1
Functional Description	1
Physical Description.....	1
Setup.....	2
Leading Specifications	4
Problem Solving.....	5
Troubleshooting	5
Further Inquiries.....	6
Future Updates	6
Return and Warranty Policies.....	7
Merchandise Returns / Repair Service	7
CRESTRON Limited Warranty	7

Infrared Detector: CNXRMIRD

Description

Functional Description

The Crestron Infrared (IR) Detector (CNXRMIRD) is used by Crestron's CNXRMC (Room Solution Box) and CNXRMCLV (Room Solution Box with Local Video) to detect fixed low frequency (38KHz) type IR formats generated by typical hand-held remote devices. Commands received by the detector can either be processed locally to control video or audio, or sent to a host control system.

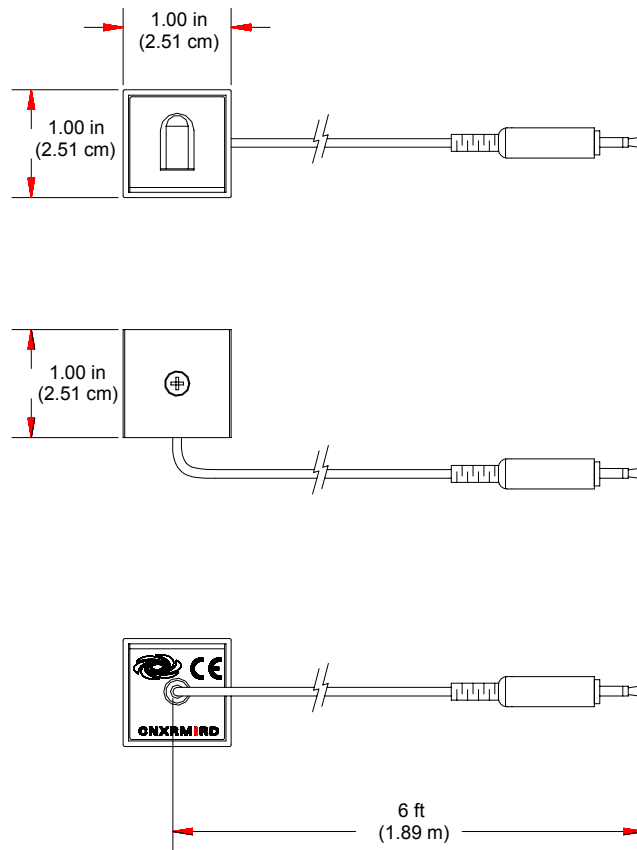
NOTE: Any universal remote transmitting RC5 code (and some Sharp codes) can communicate with the CNXRMIRD. The Philips Pronto contains built-in RC5 commands for out-of-box use. If you use the Philips Pronto, select RC5 code communication. For more information regarding code verification and mapping a universal remote, refer to the latest versions of the CNXRMC (Doc. 8162) and CNXRMCLV (Doc. 8161) Operations Guides. Creston IR remotes require the CNIRGWA IR gateway for communication and are not supported by the CNXRMIRD detector.

Physical Description

The IR Detector contains an IR receiver, which is connected to a mini phone jack by a six-foot cable. The IR receiver is housed in a black enclosure. The IR receiver window is located on the front of the detector.

NOTE: The receiver window must be kept away from obstructions, direct sunlight and high frequency fluorescent light while it is receiving IR signals.

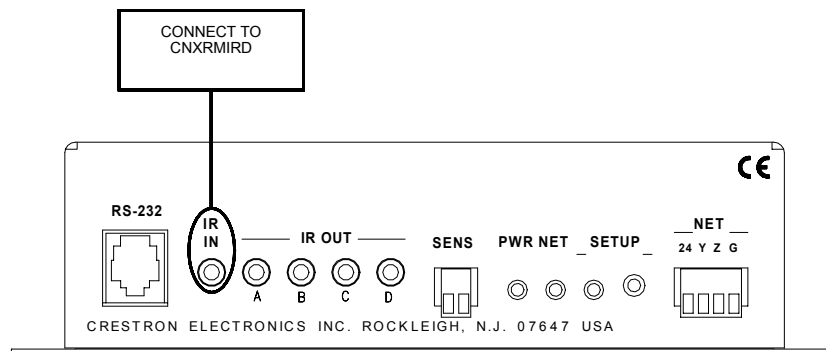
CNXR MIRD, Physical Views



Setup

Plug the mini phone jack into the IR IN port on the CNXRMC or CNXR MCLV, and place the IR receiver in a convenient location free of obstructions to receive IR signals. Secure it with the supplied dual lock fasteners.

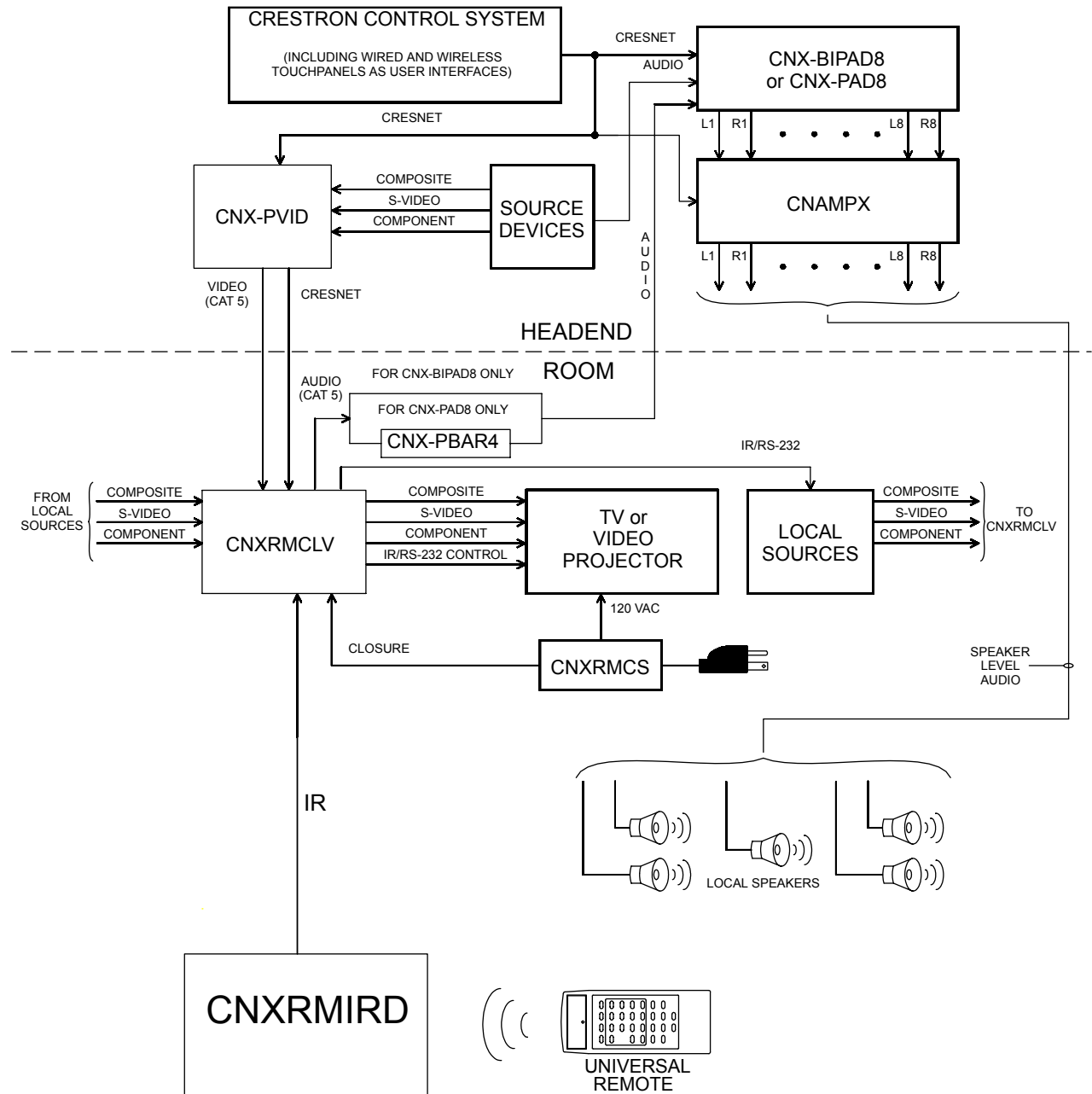
CNXRMC, IR IN Port



Example

The following is an example of a typical CNXR MIRD connection as part of a Crestron control system.

CNXR MIRD Connection Example



Leading Specifications

The table below provides a summary of leading specifications for the CNXR**MIRD**.

*Leading Specifications of the CNXR**MIRD***

SPECIFICATIONS	DESCRIPTION
Dimensions and Weight	IR Detector Housing Height: 1.00 in (2.54 cm) Width: 1.00 in (2.54 cm) Depth: 1.00 in (2.54 cm) Weight: 0.15 lb (0.055 kg) Cable and Mini Jack Length: 6.00 ft (1.83 m)*
Detection Range	Depends on distance and angle from detector, obstructions, IR interference and IR remote signal strength. Typically, the detection range is up to 50 ft./line of sight.

* Can be extended up to 500 ft.

As of the date of manufacture, the CNXR**MIRD** has been tested and found to comply with specifications for CE marking.



NOTE: This device complies with part 15 of the FCC rules. Operation is subject to the following two conditions: (1) this device may not cause harmful interference, and (2) this device must accept any interference received, including interference that may cause undesired operation.

Problem Solving

Troubleshooting

The following table provides corrective action for possible trouble situations. If further assistance is required, please contact a Crestron customer service representative.

CNXMIRD Troubleshooting

TROUBLE	POSSIBLE CAUSE(S)	CORRECTIVE ACTION
No response from commands sent to CNXRM C or CNXRMCLV.	Universal remote is not communicating with the CNXRM C or CNXRMCLV.	Verify that CNXMIRD is connected to IR IN port on the CNXRM C or CNXRMCLV.
		Remove any obstructions between CNXMIRD and CNXRM C or CNXRMCLV.
	Universal remote is not emitting a format compatible with the CNXRM C/CNXRMCLV.	Refer to the latest versions of the CNXRM C (Doc. 8162) and CNXRMCLV (Doc. 8161) Operations Guides.

Further Inquiries

If after reviewing this Operations Guide, you cannot locate specific information or have questions, please take advantage of Crestron's award winning customer service team by calling:

- In the US and Canada, call Crestron's corporate headquarters at 1-888-CRESTRON [1-888-273-7876].
- In Europe, call Crestron International at +32-15-50-99-50.
- In Asia, call Crestron Asia at +852-2341-2016.
- In Latin America, call Crestron Latin America at +5255-5093-2160.
- In Australia and New Zealand, call Creston Control Solutions at +61-2-9737-8203.

Future Updates

As Crestron improves functions, adds new features, and extends the capabilities of the CNXRMIRD, additional information may be made available as manual updates. These updates are solely electronic and serve as intermediary supplements prior to the release of a complete technical documentation revision.

Check the Crestron website (www.crestron.com) periodically for manual update availability and its relevance. Updates are available from the Download | Product Manuals section and are identified as an "Addendum" in the Download column.

Return and Warranty Policies

Merchandise Returns / Repair Service

1. No merchandise may be returned for credit, exchange, or service without prior authorization from CRESTRON. To obtain warranty service for CRESTRON products, contact the factory and request an RMA (Return Merchandise Authorization) number. Enclose a note specifying the nature of the problem, name and phone number of contact person, RMA number, and return address.
2. Products may be returned for credit, exchange, or service with a CRESTRON Return Merchandise Authorization (RMA) number. Authorized returns must be shipped freight prepaid to CRESTRON, 6 Volvo Drive, Rockleigh, N.J., or its authorized subsidiaries, with RMA number clearly marked on the outside of all cartons. Shipments arriving freight collect or without an RMA number shall be subject to refusal. CRESTRON reserves the right in its sole and absolute discretion to charge a 15% restocking fee, plus shipping costs, on any products returned with an RMA.
3. Return freight charges following repair of items under warranty shall be paid by CRESTRON, shipping by standard ground carrier. In the event repairs are found to be non-warranty, return freight costs shall be paid by the purchaser.

CRESTRON Limited Warranty

CRESTRON ELECTRONICS, Inc. warrants its products to be free from manufacturing defects in materials and workmanship under normal use for a period of three (3) years from the date of purchase from CRESTRON, with the following exceptions: disk drives and any other moving or rotating mechanical parts, pan/tilt heads and power supplies are covered for a period of one (1) year; touchscreen display and overlay components are covered for 90 days; batteries and incandescent lamps are not covered.

This warranty extends to products purchased directly from CRESTRON or an authorized CRESTRON dealer. Purchasers should inquire of the dealer regarding the nature and extent of the dealer's warranty, if any.

CRESTRON shall not be liable to honor the terms of this warranty if the product has been used in any application other than that for which it was intended, or if it has been subjected to misuse, accidental damage, modification, or improper installation procedures. Furthermore, this warranty does not cover any product that has had the serial number altered, defaced, or removed.

This warranty shall be the sole and exclusive remedy to the original purchaser. In no event shall CRESTRON be liable for incidental or consequential damages of any kind (property or economic damages inclusive) arising from the sale or use of this equipment. CRESTRON is not liable for any claim made by a third party or made by the purchaser for a third party.

CRESTRON shall, at its option, repair or replace any product found defective, without charge for parts or labor. Repaired or replaced equipment and parts supplied under this warranty shall be covered only by the unexpired portion of the warranty.

Except as expressly set forth in this warranty, CRESTRON makes no other warranties, expressed or implied, nor authorizes any other party to offer any warranty, including any implied warranties of merchantability or fitness for a particular purpose. Any implied warranties that may be imposed by law are limited to the terms of this limited warranty. This warranty statement supercedes all previous warranties.

Trademark Information

All brand names, product names, and trademarks are the sole property of their respective owners. Windows is a registered trademark of Microsoft Corporation. Windows95/98/Me and WindowsNT/200 are trademarks of Microsoft Corporation



Crestron Electronics, Inc.
15 Volvo Drive Rockleigh, NJ 07647
Tel: 888.CRESTRON
Fax: 201.767.7576
www.crestron.com

Operations Guide – DOC. 8165
03.02

Specifications subject to
change without notice.