

Crestron **CSC-ACCN**
 Cresnet® Interface to Somfy® ST50 ILT2 Motor
 Installation Guide



Further Inquiries

To locate specific information or resolve questions after reviewing this guide, contact Crestron's True Blue Support at 1-888-CRESTRON [1-888-273-7876] or refer to the listing of Crestron worldwide offices on the Crestron Web site (www.crestron.com/offices) for assistance within a particular geographic region.

To post a question about Crestron products, log onto the Online Help section of the Crestron Web site (www.crestron.com/onlinehelp). First-time users must establish a user account to fully benefit from all available features.

Future Updates

As Crestron improves functions, adds new features and extends the capabilities of the CSC-ACCN, additional information may be made available as manual updates. These updates are solely electronic and serve as intermediary supplements prior to the release of a complete technical documentation revision.

Check the Crestron Web site periodically for manual update availability and its relevance. Updates are identified as an "Addendum" in the Download column.

WARNING: To avoid fire, shock, or death; turn off power at circuit breaker or fuse and test that power is off before wiring!

NOTES: Observe the following points.

- To be installed and/or used in accordance with appropriate electrical codes and regulations.
- This product should be installed by a qualified electrician.

PREPARING AND CONNECTING WIRES

Strip the ends of the wires approximately 1/4 in (6 mm). Use care to avoid nicking the conductors. Twist together the ends of the wires that share a connection. Apply solder only to the ends of the twisted wires. Avoid tinning too far up the wires or the end becomes brittle.

Crestron Electronics, Inc.
 15 Volvo Drive Rockleigh, NJ 07647
 Tel: 888.CRESTRON
 Fax: 201.767.7576
www.crestron.com



Installation Guide - DOC. 7347C
 (2033133)
 04.13

Specifications subject to change without notice.

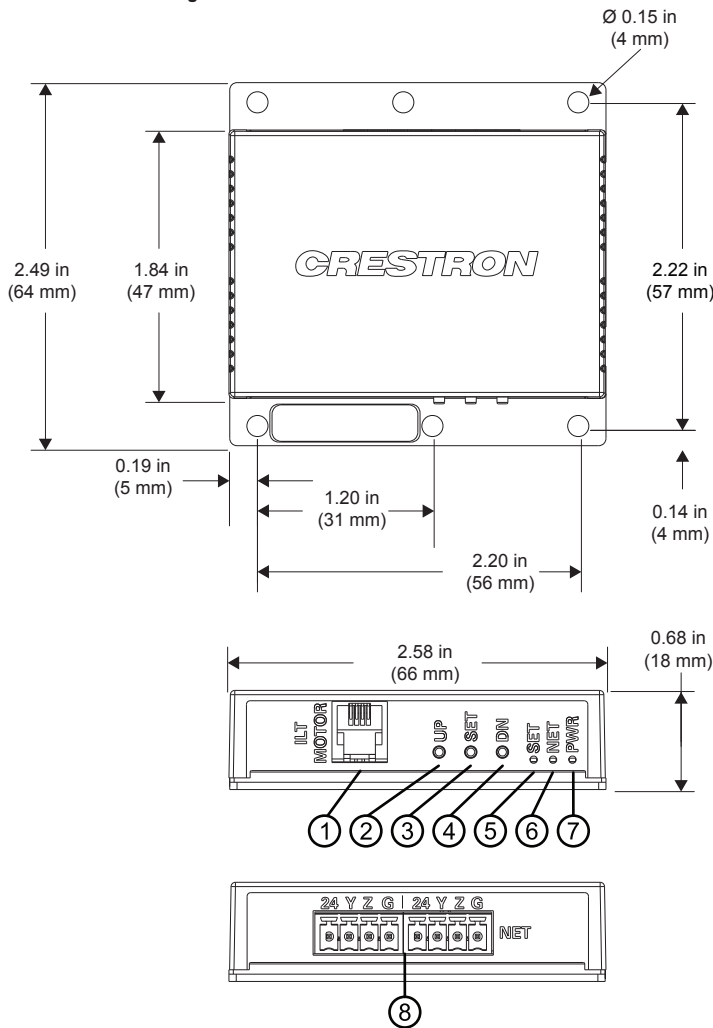
INTRODUCTION

The Crestron® CSC-ACCN is an interface designed to control one Somfy® ST50 ILT2 Motor and provides two way communication between the motor and control system over Cresnet®. In addition to two way communication, the CSC-ACCN receives power from the Cresnet network. The CSC-ACCN features local buttons that allow for setting up limits and testing of the shades without use of the control system. The CSC-ACCN can be surface mounted or mounted in a single gang electrical box using a CSC-BRKT-1G mounting bracket (sold separately).

Physical Description

This section provides information on the connections, controls and indicators available on the CSC-ACCN.

Dimensional Drawing



#	CONNECTORS*, CONTROLS & INDICATORS	DESCRIPTION
1	ILT MOTOR	RJ-11 connection to shade motor
2	UP	Push button used to raise shade
3	SET	Push button used to enter setup mode
4	DN	Push button used to lower shade
5	SET LED	Red LED indicates the device setup status and error codes
6	NET LED	Amber LED used to indicate communication status of the Cresnet network; LED is solid when the device is connected to the network and off when no connection to control system
7	PWR LED	Green LED indicates power and status; LED blinks while shade is moving. LED is solid when shade is stopped and powered on
8	NET 24 Y Z G	Two 4-pin 3.5 mm detachable terminal blocks, Cresnet slave port and power input

* Interface connectors for NET ports are provided with the unit.

MOUNTING

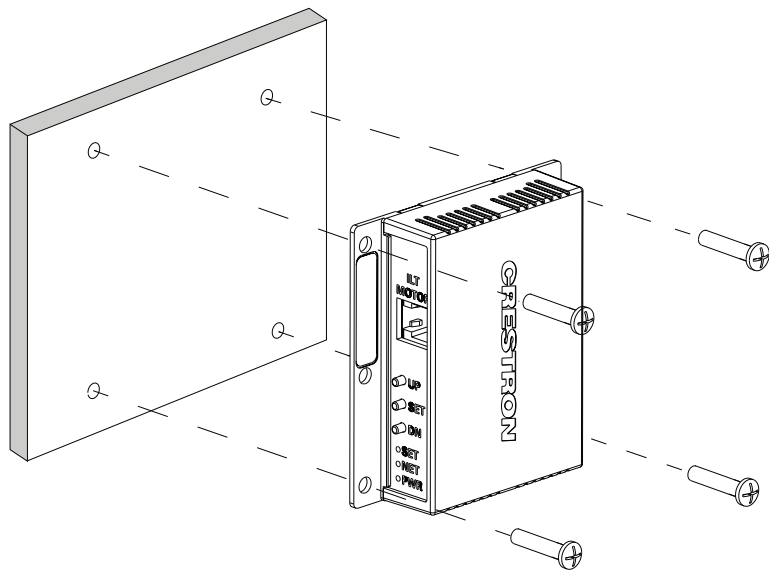
The CSC-ACCN can be mounted to a single gang box or to any flat surface. Refer to the appropriate procedure below for mounting instructions.

Mounting in Single Gang Box

The CSC-ACCN mounts to a single gang box by using the CSC-BRKT-1G (sold separately). For installation details refer to the CSC-BRKT-1G Installation Guide (Doc. 7353) which is available from the Crestron Web site (www.crestron.com/manuals).

Surface Mounting

The CSC-ACCN can be mounted to any flat surface using four screws (not supplied). Refer to the following illustration for a typical surface mount scenario.



WIRING

For information on wiring this device, refer to the latest version of the Crestron Roller Shades and Interfaces Wiring Guide (Doc. 7516).

PROGRAMMING AND SETUP

Before the roller shade can be operated the device must be programmed and set up.

For information on programming and setup of this device, refer to the latest version of the Crestron Roller Shades and Interfaces Programming and Setup Guide (Doc. 7361).

The specific patents that cover Crestron products are listed at patents.crestron.com.

Crestron, the Crestron logo and Cresnet are either trademarks or registered trademarks of Crestron Electronics, Inc. in the United States and/or other countries. Somfy is a trademark or registered trademark of Somfy SAS in the United States and/or other countries. Other trademarks, registered trademarks and trade names may be used in this document to refer to either the entities claiming the marks and names or their products. Crestron disclaims any proprietary interest in the marks and names of others. *Crestron is not responsible for errors in typography or photography.*

This document was written by the Technical Publications department at Crestron.
©2013 Crestron Electronics, Inc.