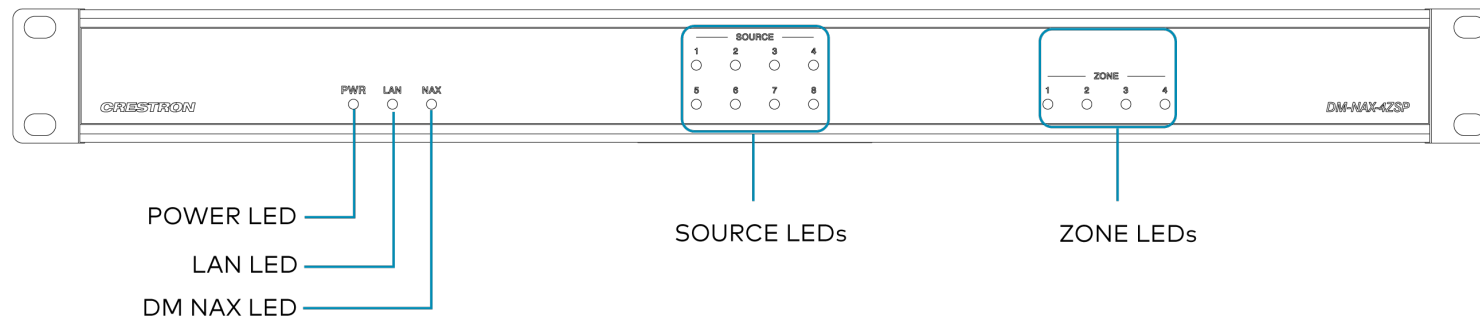


DM NAX™ 4-Zone Streaming Preamp

The Crestron [DM-NAX-4ZSP](#) is a next generation Audio-over-IP (AoIP) preamplifier that puts Crestron multiroom audio distribution on the network.

Front Panel



In the Box

1 DM-NAX-4ZSP

Additional Items

- 2 Bracket, Rack Ear, 2 RU (2032122)
- 1 Power Cord, approx. 6.5 ft (2 m) (2001134)
- 2 Connector, 4-Pin (2003576)
- 3 Connector, 5-Pin (2003577)
- 4 Feet, Adhesive (2002389)

DM NAX™ 4-Zone Streaming Preampfier



Install the Device

Refer to the [Safety Instructions](#) (Doc. 6607) prior to installation.

The device can be placed on a table or installed in a rack.

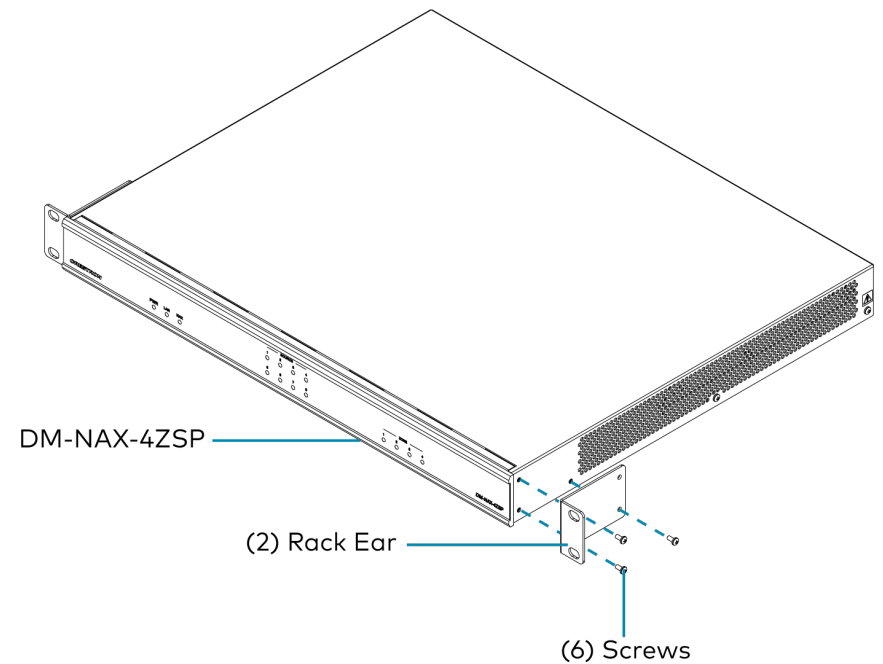
Place on a Flat Surface

Place the device on a flat surface such as a table.

Install in a Rack

This device occupies 1U of rack space.

1. Use a Phillips screwdriver (not included) to remove the three screws from each side of the device as shown in the illustration.
2. Use the screwdriver and the six screws (removed earlier) to attach the included rack ears to the device.



3. Mount the device into the rack using four rack mounting screws (not included).

DM NAX™ 4-Zone Streaming Preamplifier

Rack Mounting Safety Precautions

Elevated Operating Ambient Temperature: If installed in a closed or multi-unit rack assembly, the operating ambient temperature of the rack environment may be greater than the room ambient temperature. Therefore, consideration should be given to installing the equipment in an environment compatible with the maximum ambient temperature (T_{ma}) specified by the manufacturer.

Reduced Airflow: Installation of the equipment in a rack should be such that the amount of airflow required for safe operation of the equipment is not compromised.

Mechanical Loading: Mounting of the equipment in the rack should be such that a hazardous condition is not achieved due to uneven mechanical loading.

Circuit Overloading: Consideration should be given to the connection of the equipment to the supply circuit and the effect that overloading of the circuits might have on overcurrent protection and supply wiring. Appropriate consideration of equipment nameplate ratings should be used when addressing this concern.

Reliable Earthing: Reliable earthing of rack-mounted equipment should be maintained. Particular attention should be given to supply connections other than direct connections to the branch circuit (e.g., use of power strips).



Connect the Device

Make the necessary connections as called out in the following illustration. Connect power last.

CAUTION:

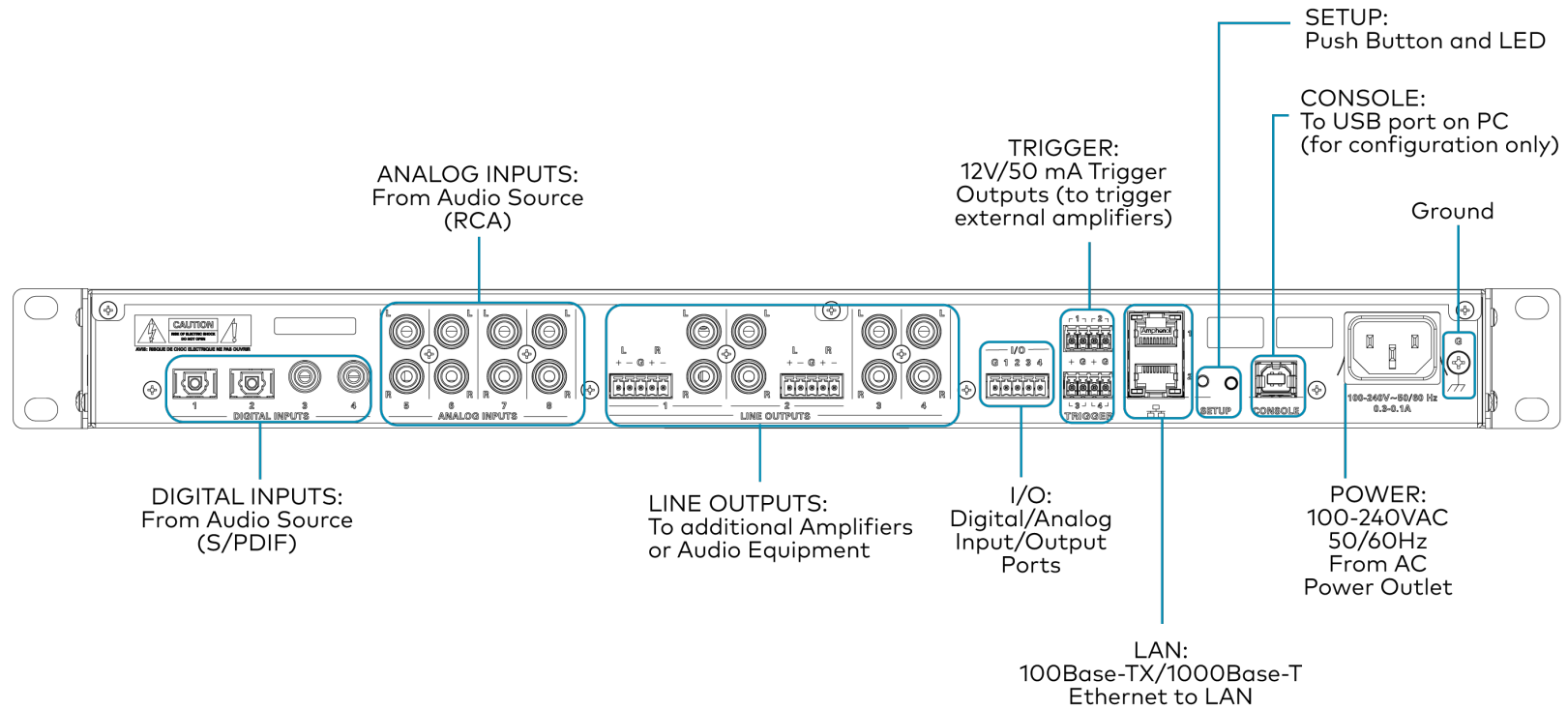
- Keep the device unplugged until all of the input, network, output, and speaker wiring is complete.

NOTES:

- Ensure that the unit is properly grounded by connecting the chassis ground lug to an earth ground (building steel).
- To prevent overheating, do not operate this product in an area that exceeds the environmental temperature range of 32° to 104°F (0° to 40°C).
- Do not bundle power cords together with connection cables. Doing so can result in noise.

DM NAX™ 4-Zone Streaming Preamp

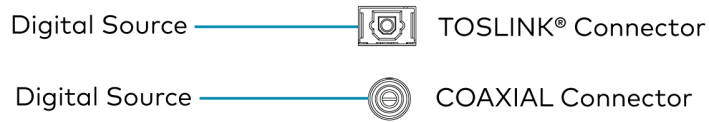
Rear Panel



DM NAX™ 4-Zone Streaming Preamp

Digital Inputs

Refer to the following illustration when connecting digital audio sources.



NOTE: Only 2-channel PCM digital audio is supported at the digital inputs.

Analog Inputs

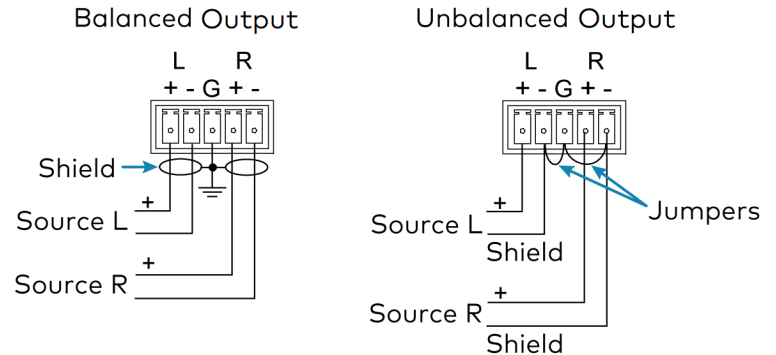
Refer to the following illustration when connecting analog audio sources.



Balanced/Unbalanced Audio Output

Refer to the following table and illustration for analog audio output pin assignments and connection information.

Signal Name	Balanced Audio Output	Unbalanced Audio Output
+	L+	L+
-	L-	L Shield
G	Shield/ground	G, L Shield, and R Shield
+	R+	R+
-	R-	R Shield



Configure the Device

For detailed information on configuring the device, refer to [DM NAX™ Product Manual \(Doc. 9045\)](#).

DM NAX™ 4-Zone Streaming Preamp



Observe the LED Indicators

Refer to the following table for information about the LED indicators on the device.

LED Indicator	Color	Meaning
PWR	White	Device is powered on with audio passing.
	Red	Device is in standby mode.
	Off	Device is not powered on.
LAN	White	The device is powered on and has a valid IP address.
	Off	Device is not connected to a network or the IP address is invalid.
NAX	White	AoIP is ready to pass and the unit's PTP clock is synced.
	Off	No AoIP is passing to or from the unit and/or PTP is not synced.
SOURCE 1-8	White	Signal is detected on the specified input/source.
	Red	There is clipping on an analog input or bitstream audio detected on a digital input.
	Off	There is no signal detected on the specified input/source.
ZONE 1-4	White	There is audio output on the indicated zone.
	Red	Clipping is detected on the output audio.

LED Indicator	Color	Meaning
SETUP	Solid Red	The SETUP button is pressed.
	Blinking Red	A network reset or factory restore has been initiated via the adjacent SETUP button.



Reset the Device

A network reset or factory restore may be performed when troubleshooting.

Network Reset

1. Ensure the device is powered on.
2. Press and hold the **SETUP** button for up to 15 seconds until the SETUP LED flashes red.

The device will reboot, and the default network settings will be reset, such as default Hostname, DHCP enabled, no static IP.

Factory Restore

1. Turn off the device by disconnecting the power cable from the device.
2. Press and hold the **SETUP** button and then reconnect the power cable while still holding the **SETUP** button. Continue holding the **SETUP** button for up to 30 seconds until the SETUP LED flashes.

The device will reboot, and all the factory default settings will be restored, such as Zone settings, names, multicast addressing, etc.

CAUTION: Performing a factory restore will clear all settings from the device configuration.

DM NAX™ 4-Zone Streaming Preampifier

Scan the QR code to visit the product page.

DM-NAX-4ZSP



www.crestron.com/model/6512319

Additional Information

Original Instructions

The U.S. English version of this document is the original instructions. All other languages are a translation of the original instructions.

Regulatory Model: M202123001

Crestron product development software is licensed to Crestron dealers and Crestron Service Providers (CSPs) under a limited nonexclusive, nontransferable Software Development Tools License Agreement. Crestron product operating system software is licensed to Crestron dealers, CSPs, and end-users under a separate End-User License Agreement. Both of these Agreements can be found on the Crestron website at www.crestron.com/legal/software_license_agreement.

The product warranty can be found at www.crestron.com/warranty.

The specific patents that cover Crestron products are listed at www.crestron.com/legal/patents.

Certain Crestron products contain open source software. For specific information, visit www.crestron.com/opensource.

Crestron, the Crestron logo, and DM NAX are either trademarks or registered trademarks of Crestron Electronics, Inc. in the United States and/or other countries. TOSLINK is either a trademark or a registered trademark of Toshiba Electronics Devices & Storage Corporation in the United States and/or other countries. Other trademarks, registered trademarks, and trade names may be used in this document to refer to either the entities claiming the marks and names or their products. Crestron disclaims any proprietary interest in the marks and names of others. Crestron is not responsible for errors in typography or photography.

©2022 Crestron Electronics, Inc.

Doc. 9213A

09/15/22