

Ultimate 6 in. 2-Way Outdoor Speaker, Ribbon Tweeter, Single

The Crestron® Ultimate speakers [ULTIMATE OD6T-BRZ-T-EACH](#) and [ULTIMATE OD6T-PRIMED-EACH](#) made by Origin Acoustics deliver the pinnacle of performance for demanding outdoor installations. Select materials, top shelf components, and a high-end appearance underscore the design behind each speaker. The result is a no-compromise outdoor speaker designed to be staked directly into the ground or mounted to an exterior wall, fence post, or tree. The [ULTIMATE OD6T-PRIMED-EACH](#) speaker can be painted to blend with the surroundings.



In the Box

1 Ultimate 6 in. 2-Way Outdoor Speaker (6511868 or 6511869)

Additional Items

2 Wire nuts



Installation

Prepare the Site

The Crestron Ultimate speakers [ULTIMATE OD6T-BRZ-T-EACH](#) and [ULTIMATE OD6T-PRIMED-EACH](#) can be installed at ground level using stakes (not included). They can also be mounted to outdoor hard surfaces, such as a trellis, under an eave, on a wall, on a deck, or to a post using the surface/tree mounts (not included).

- For in-ground level installation, choose a location that will not flood and where the speaker will not be affected by an in-ground sprinkler system.
- For above-ground installation, mount the speaker with either the surface or tree mounting bracket (not included).

Ultimate 6 in. 2-Way Outdoor Speaker, Ribbon Tweeter, Single

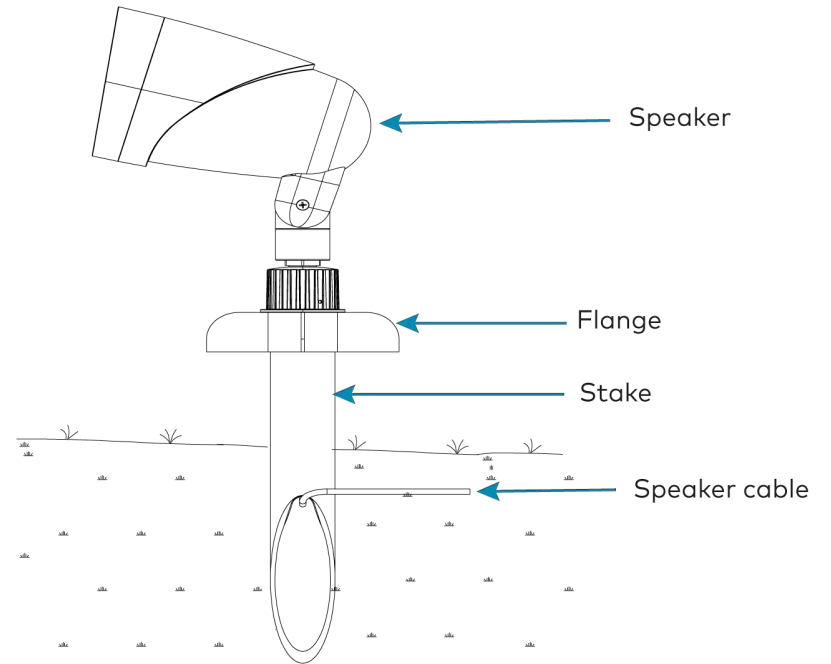
Mount the speaker

In-Ground Installation

Use the [SPKA-STAKE-OD-18](#) optional speaker stake to install the speakers at ground level. This accessory must be purchased separately.

For in-ground installation:

1. Pull the speaker cable through the top of the stake and out either side on the bottom opening.
2. Drive the ground stake (not included) into the ground.
 - For installation in soft soil: The stake can be installed without excavating the soil. Push the stake down into the soil.
 - For installation in hard soil: Dig a hole for the stake. Place the stake in the hole with the top cylinder of the stake above ground level. Hold the stake straight while backfilling and compacting the soil.
3. Attach the speaker by inserting it into the stake, then turn the speaker clockwise until it is mounted properly.
4. Push the flange down the stake until it rests on the surface of the ground. This will provide extra stability for the stake.



Ultimate 6 in. 2-Way Outdoor Speaker, Ribbon Tweeter, Single

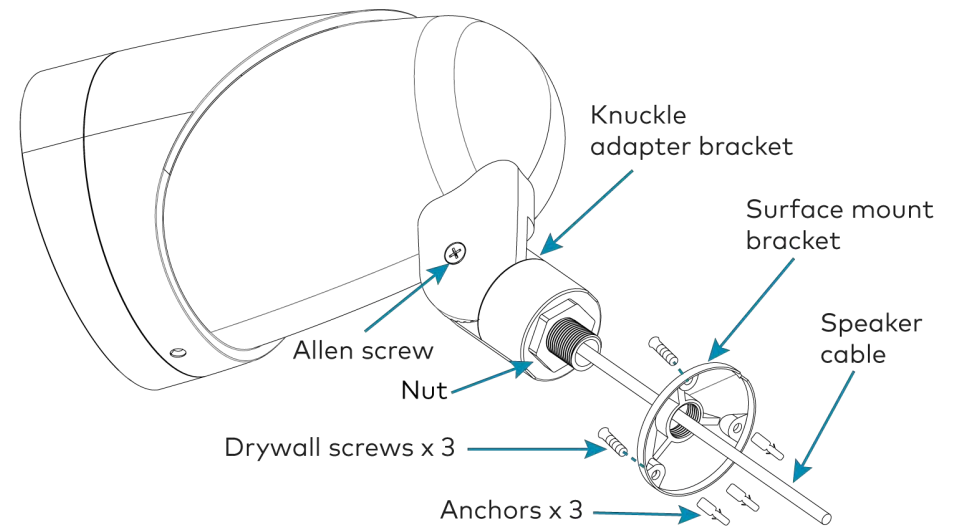
Above-Ground Installation

Use the [SPKA-SMK/TREEMK-ULTIMATE-OD6](#) optional accessory to install the speakers on a surface or a tree. This accessory must be purchased separately.

For surface mount installation:

1. Select a suitable mounting location to mount the surface mount bracket.
2. Install the surface mount bracket as follows:
 - a. Place the surface mount bracket (not included) in the mounting location.
 - b. Hold the surface mount bracket against the surface to mark the screw holes.
 - c. Drill holes at the marked screw hole locations and install three anchors (not included).
 - d. Route the speaker cable through the center hole and out of the cable opening on the surface mount bracket.
 - e. Secure the surface mount bracket to the surface using drywall screws (not included).
3. Attach the speaker to the surface mount bracket by hand threading the speaker to the surface mount bracket.
4. For optimal sound coverage, adjust the speaker left or right and up or down.
 - a. Adjust the speaker left or right by first loosening the nut. Adjust the angle to the desired position, then retighten the nut.
 - b. Adjust the speaker up or down by first loosening the allen screw on the knuckle adapter bracket. Adjust the angle to the desired position, then retighten the screw.

Figure A

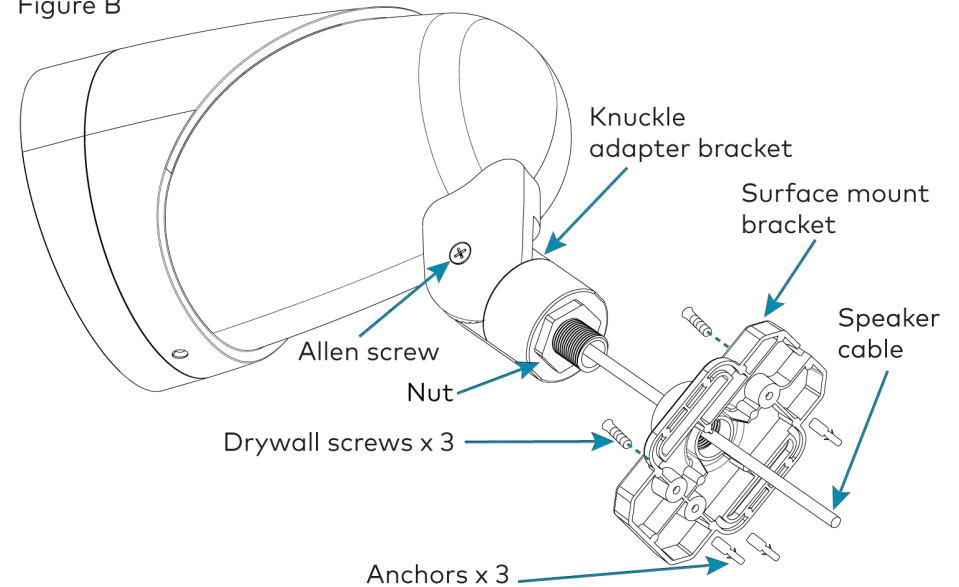


Ultimate 6 in. 2-Way Outdoor Speaker, Ribbon Tweeter, Single

For tree mount installation:

1. Install the tree mount bracket as follows:
 - a. Place the tree mount bracket (not included) in the mounting location.
 - b. Hold the tree mount bracket against the surface to mark the screw holes.
 - c. Drill holes at the marked screw hole locations and install three anchors (not included).
 - d. Route the speaker cable through the center hole and out of the cable opening on the tree mount bracket.
 - e. Secure the tree mount bracket (not included) to a tree using drywall screws (not included).
2. Attach the speaker to the tree mount bracket by hand threading the speaker to the tree mount bracket.
3. For optimal sound coverage, adjust the speaker left or right and up or down.
 - a. Adjust the speaker left or right by first loosening the nut. Adjust the angle to the desired position, then retighten the nut.
 - b. Adjust the speaker up or down by first loosening the allen screw on the knuckle adapter bracket. Adjust the angle to the desired position, then retighten the screw.

Figure B



Ultimate 6 in. 2-Way Outdoor Speaker, Ribbon Tweeter, Single

Connect the Speaker Cable

1. Run the speaker cable (not included) from the audio source to the wire nut, observing all appropriate local codes.
2. Run the speaker cable from the speaker location to the wire nut, observing all appropriate local codes.

NOTES:

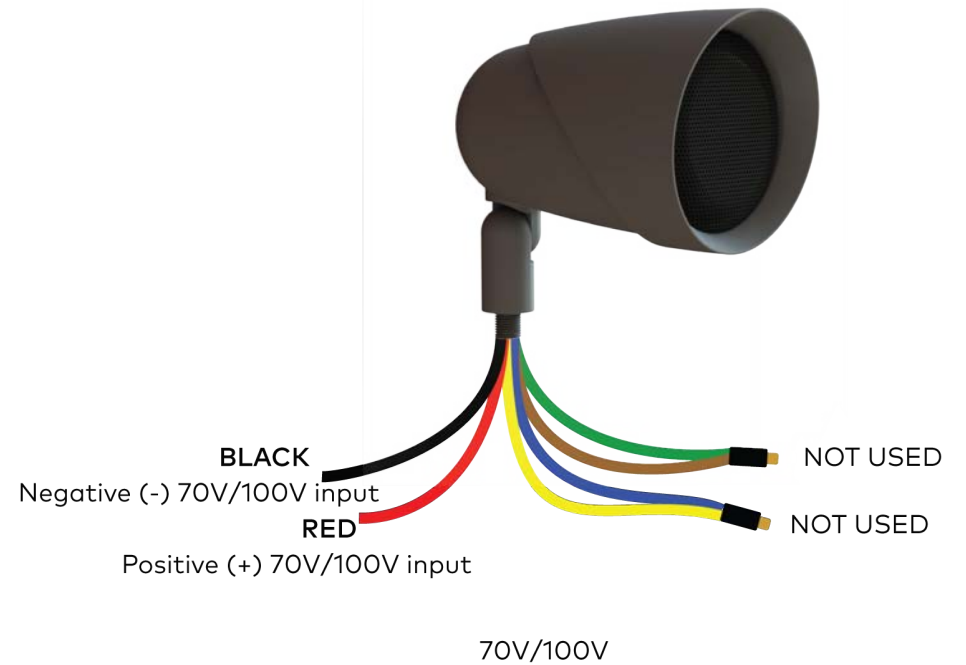
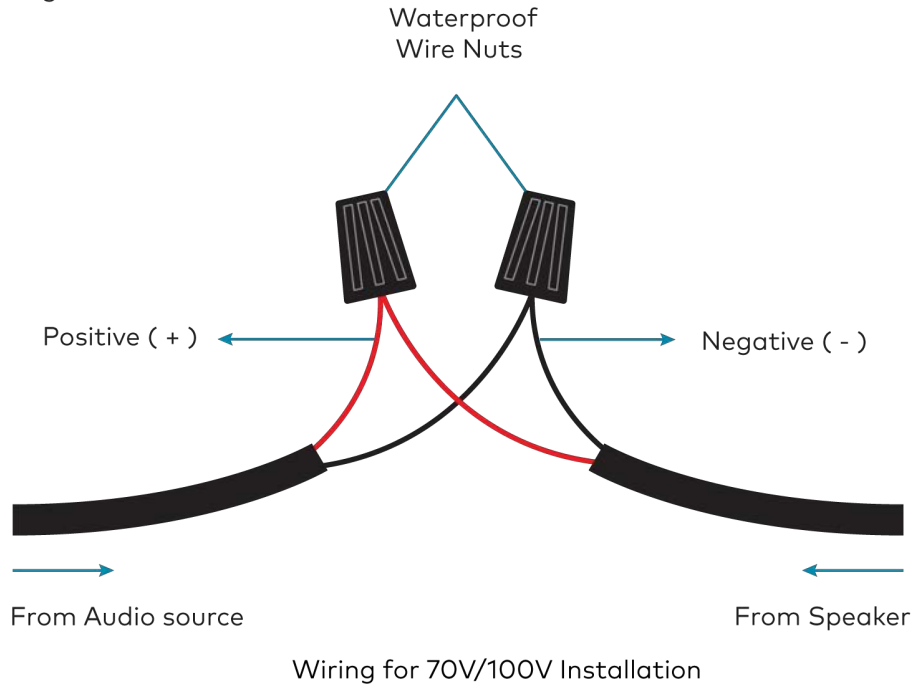
- The speaker includes a hardwired direct-burial speaker cable.
 - Make sure that the positive cable is attached to the red connection, and the negative cable is attached to the black connection for 70V/100V installation (see Figure C).
 - Make sure that the positive cable is attached to the blue connection, and the negative cable is attached to the brown connection for 8 ohm installation (see Figure D).
3. Combine and twist the positive (+) cables together in a clockwise motion. Repeat this step for the negative (-) cables.
 4. Secure the two cables together using the wire nuts ensuring that no copper is exposed.

Ultimate 6 in. 2-Way Outdoor Speaker, Ribbon Tweeter, Single

- For 70V/100V use, connect Red (+) positive and Black (-) negative wire to the speaker wire from the audio source.

NOTE: The OD6T ships ready for 70V/100V use.

Figure C

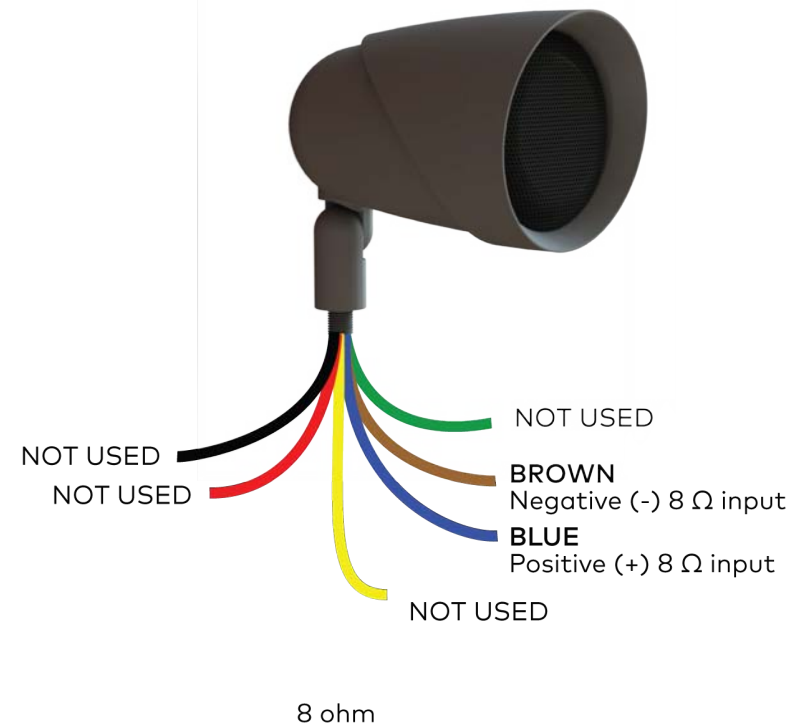
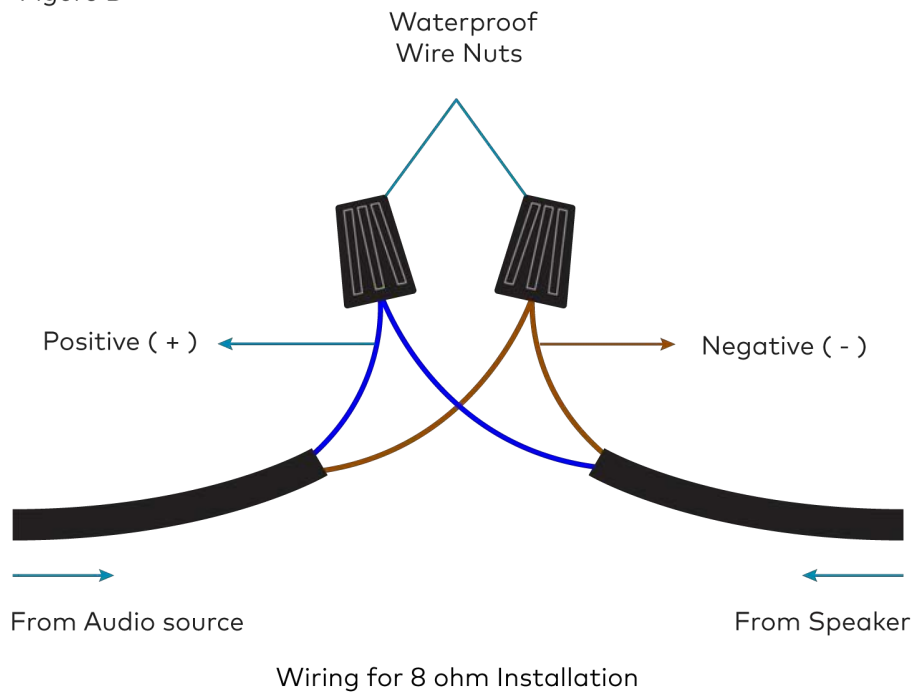


Ultimate 6 in. 2-Way Outdoor Speaker, Ribbon Tweeter, Single

- For 8 ohm use, cut the Blue and Yellow wires and the Green and Brown wires apart, then strip and connect the Blue (+) positive wire and Brown (-) negative wire to the speaker wire from the audio source.

NOTE: The Red, Black, Yellow, and Green wires are not used for 8 ohm installation and can be removed.

Figure D



Ultimate 6 in. 2-Way Outdoor Speaker, Ribbon Tweeter, Single



Visit the Product Page

Scan the QR code to visit the product page.

ULTIMATE OD6T-BRZ-T-EACH



<https://www.crestron.com/model/6511868>

ULTIMATE OD6T-PRIMED-EACH



<https://www.crestron.com/model/6511869>

Additional Information

Original Instructions

The U.S. English version of this document is the original instructions. All other languages are a translation of the original instructions.

Crestron product development software is licensed to Crestron dealers and Crestron Service Providers (CSPs) under a limited nonexclusive, nontransferable Software Development Tools License Agreement. Crestron product operating system software is licensed to Crestron dealers, CSPs, and end-users under a separate End-User License Agreement. Both of these Agreements can be found on the Crestron website at www.crestron.com/legal/software_license_agreement.

The product warranty can be found at www.crestron.com/warranty.

The specific patents that cover Crestron products are listed at www.crestron.com/legal/patents.

Certain Crestron products contain open source software. For specific information, visit www.crestron.com/opensource.

Crestron and the Crestron logo are either trademarks or registered trademarks of Crestron Electronics, Inc. in the United States and/or other countries. Origin Acoustics is either a trademark or registered trademark of Origin Acoustics, Inc. in the United States and/or other countries. Other trademarks, registered trademarks, and trade names may be used in this document to refer to either the entities claiming the marks and names or their products. Crestron disclaims any proprietary interest in the marks and names of others. Crestron is not responsible for errors in typography or photography.

©2022 Crestron Electronics, Inc.

Doc. 9039B

08/16/22