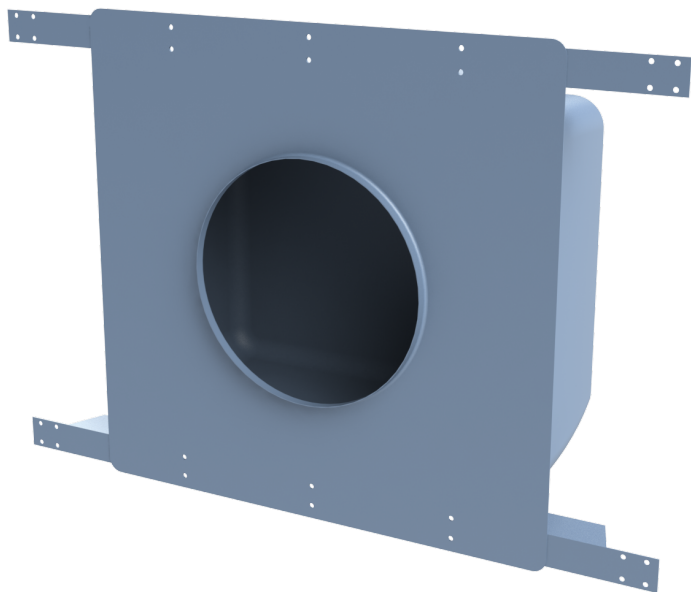


# SPKA-BBFR-IC6/IC8

## Fire-Rated Back Box for Reference and Ultimate In-Ceiling Speakers



- Exceeds one-hour fire rating requirements
- Reduces noise transfer to adjacent rooms
- Perfect for use in both residential and commercial installations

The [SPKA-BBFR8-IC6/IC8](#) fire-rated back box is a shallow-depth metal enclosure for use with Crestron® Reference and Ultimate in-ceiling speakers made by Origin Acoustics®. The back box is mounted in the ceiling prior to drywall installation.

The SPKA-BBFR8-IC6/IC8 comes filled with sound damping insulation to help prevent audio transfer to surrounding rooms, and exceeds one-hour Fire Rating requirements per ASTM E119, making it perfect for use in Multi-Dwelling Unit (MDU) and commercial applications.

### Specifications

#### Dimensions

Width	17.99 in. (457 mm)
Height	18.21 in. (463 mm)
Depth	8.00 in. (203 mm)
Cutout Diameter	8.74 in. (222 mm)

#### Mounting Bracket Centers

Width	24.00 in. (610 mm)
Height	13.22 in. (336 mm)

#### Drywall Screws

Length	0.75 in. (19 mm)
Diameter	2.00 in. (51 mm)

#### Construction

Enclosure	Powder-coated steel
-----------	---------------------

# SPKA-BBFR-IC6/IC8

## Fire-Rated Back Box for Reference and Ultimate In-Ceiling Speakers

### Model

#### **SPKA-BBFR8-IC6/IC8**

Fire Rated Back Box for Reference and Ultimate In-Ceiling Speakers, Single

This product may be purchased from select authorized Crestron dealers and distributors. To find a dealer or distributor, please contact the Crestron sales representative for your area. A list of sales representatives is available online at [www.crestron.com/How-To-Buy/Find-a-Representative](http://www.crestron.com/How-To-Buy/Find-a-Representative) or contact us for additional information by visiting <https://www.crestron.com/contact/our-locations> for your local contact.

This product is covered under the Crestron standard limited warranty. Refer to [www.crestron.com/warranty](http://www.crestron.com/warranty) for full details.

The specific patents that cover Crestron products are listed online at [patents.crestron.com](http://patents.crestron.com).

Certain Crestron products contain open source software. For specific information, please visit [www.crestron.com/opensource](http://www.crestron.com/opensource).

Crestron and the Crestron logo are either trademarks or registered trademarks of Crestron Electronics, Inc. in the United States and/or other countries. Origin Acoustics is either a trademark or a registered trademark of Origin Acoustics, Inc. in the United States and/or other countries. Other trademarks, registered trademarks, and trade names may be used in this document to refer to either the entities claiming the marks and names or their products. Crestron disclaims any proprietary interest in the marks and names of others. Crestron is not responsible for errors in typography or photography. Specifications are subject to change without notice.

Specifications are subject to change without notice.

©2024 Crestron Electronics, Inc.

Rev 04/19/24

# SPKA-BBFR-IC6/IC8

Fire-Rated Back Box for Reference and Ultimate In-Ceiling Speakers

## SPKA-BBFR8-IC6/IC8

