

Crestron **FTI-PWR-D**  
FlipTop Power Center -  
International Version

---

Operations & Installation Guide



This document was prepared and written by the Technical Documentation department at:



Crestron Electronics, Inc.  
15 Volvo Drive  
Rockleigh, NJ 07647  
1-888-CRESTRON

## Regulatory Compliance

As of the date of manufacture, the FTI-PWR-D-B and FTI-PWR-D-BALUM have been tested and found to comply with specifications for CE marking and standards per EMC and Radiocommunications Compliance Labelling.



---

### Federal Communications Commission (FCC) Compliance Statement

This device complies with part 15 of the FCC Rules. Operation is subject to the following conditions:  
(1) This device may not cause harmful interference and (2) this device must accept any interference received, including interference that may cause undesired operation.

**CAUTION:** Changes or modifications not expressly approved by the manufacturer responsible for compliance could void the user's authority to operate the equipment.

**NOTE:** This equipment has been tested and found to comply with the limits for a Class B digital device, pursuant to part 15 of the FCC Rules. These limits are designed to provide reasonable protection against harmful interference in a residential installation. This equipment generates, uses and can radiate radio frequency energy and, if not installed and used in accordance with the instructions, may cause harmful interference to radio communications. However, there is no guarantee that interference will not occur in a particular installation. If this equipment does cause harmful interference to radio or television reception, which can be determined by turning the equipment off and on, the user is encouraged to try to correct the interference by one or more of the following measures:

- Reorient or relocate the receiving antenna
- Increase the separation between the equipment and receiver
- Connect the equipment into an outlet on a circuit different from that to which the receiver is connected
- Consult the dealer or an experienced radio/TV technician for help

---

### Industry Canada (IC) Compliance Statement

This Class B digital apparatus complies with Canadian ICES-003.

Cet appareil numérique de la classe B est conforme à la norme NMB-003 du Canada.

---

# Contents

<b>FlipTop Power Center - International Version: FTI-PWR-D</b>	<b>1</b>
Introduction .....	1
Features and Functions .....	1
Applications .....	2
Specifications .....	2
Physical Description .....	3
Setup .....	6
Installation .....	6
Hardware Hookup .....	11
Operation .....	12
Problem Solving .....	13
Troubleshooting .....	13
Further Inquiries .....	13
Future Updates .....	13
Appendix: International Power Receptacles .....	14
Return and Warranty Policies .....	15
Merchandise Returns / Repair Service .....	15
CRESTRON Limited Warranty .....	15



# FlipTop Power Center - International Version: FTI-PWR-D

---

## Introduction

The FTI-PWR-D provides an elegant connectivity solution in a stylish flush mount tabletop package. Beneath the "FlipTop" lid, the cable storage compartment keeps interface cables at the ready for plugging in computers, AV sources, and a host of other devices.

## Features and Functions

- Stylish flush-mount FlipTop housing
- Easy pull-out universal cable management
- Dual International AC power outlets
- Available in black anodized (FTI-PWR-D-B) or brushed aluminum (FTI-PWR-D-BALUM)\*

\* For simplicity within this guide the FlipTop Power Center will be referred to as the FTI-PWR-D unless otherwise noted.

### ***FlipTop Housing***

Handsomely finished in either black anodized or brushed aluminum, the FTI-PWR-D mounts flush in any tabletop surface for a clean, discreet appearance.

### ***Cable Storage Compartment***

The FTI-PWR-D provides for extensive connectivity through an easy pull-out cable storage mechanism to support a wide range of applications and signal types. Eight grommets are provided in the bottom plate, allowing for smooth pass-through of virtually any type of AV, communication, control, or data cable (cables not included). When not in use, the user end of each cable stows neatly within the FlipTop compartment while excess cable simply drops out-of-sight below the box.

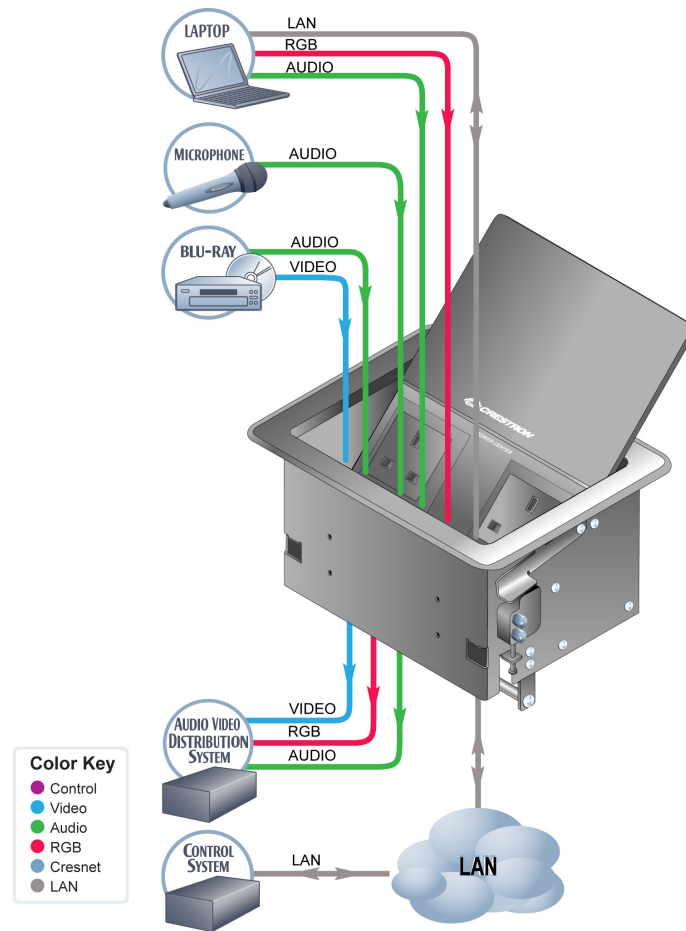
### ***Dual International AC Power Outlets***

For complete connectivity, the FTI-PWR-D includes two AC power receptacles within the FlipTop compartment. A choice of outlet types is available to accommodate virtually any country or region including UK, Europe (Schuko), Italy, France, Australia, and China.

## Applications

The following diagram shows an FTI-PWR-D in a lecture hall application.

*FTI-PWR-D in a Lecture Hall Application*



## Specifications

Specifications for the FTI-PWR-D are listed in the following table.

*FTI-PWR-D Specifications*

SPECIFICATION	DETAILS
Environmental	
Temperature	5° to 40° C (41° to 104° F)
Humidity	10% to 90% RH (non-condensing)
Enclosure	Black metal with black anodized or brushed aluminum cover; flush tabletop mountable
Dimensions	
Height	142 mm (5.58 in) with lid closed
Width	216 mm (8.50 in)
Depth	170 mm (6.67 in) without mounting brackets
Weight	2.5 kg (5.5 lbs)

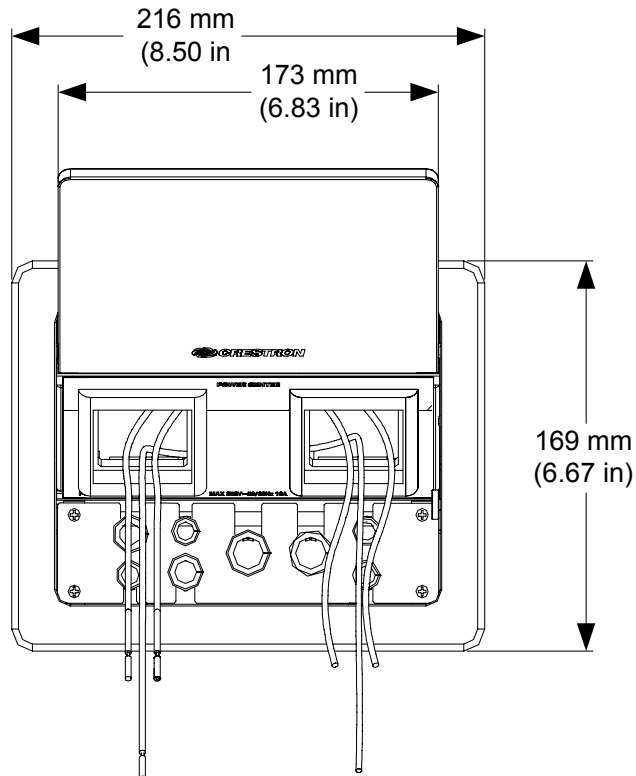
### Physical Description

This section provides information on the connections, controls, and indicators available on your FTI-PWR-D.

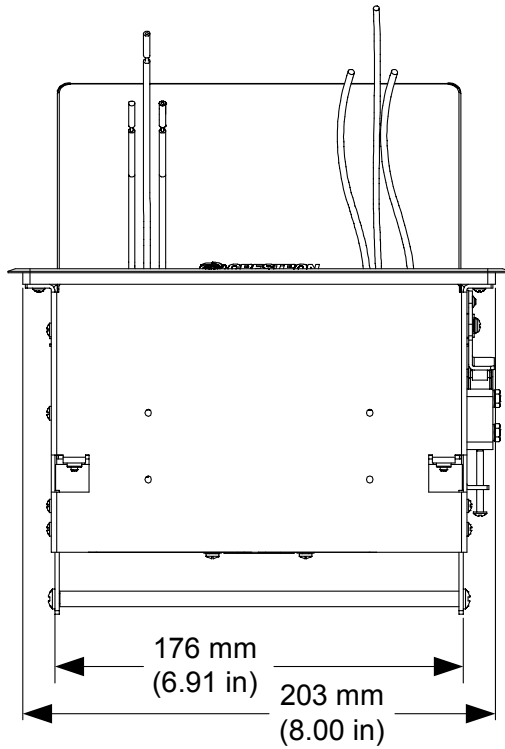
#### *FTI-PWR-D Physical View*



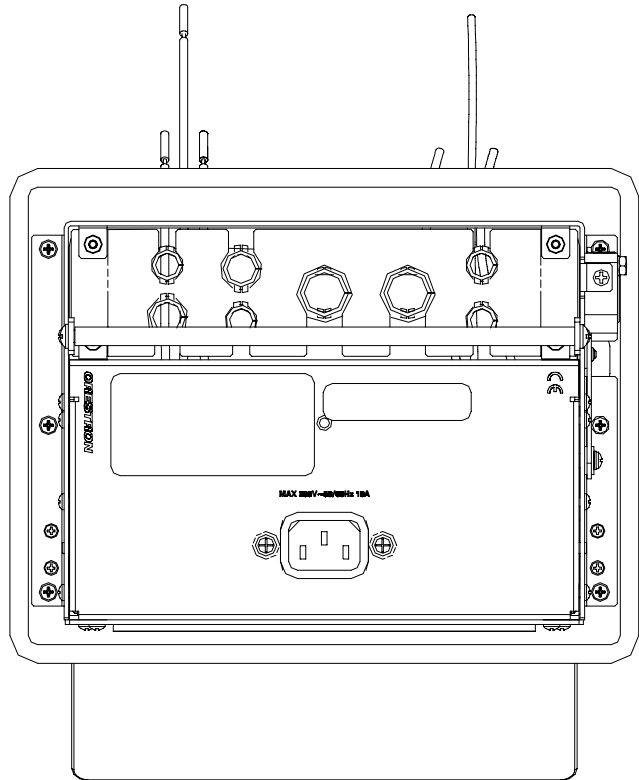
#### *FTI-PWR-D Overall Dimensions (Top View)*



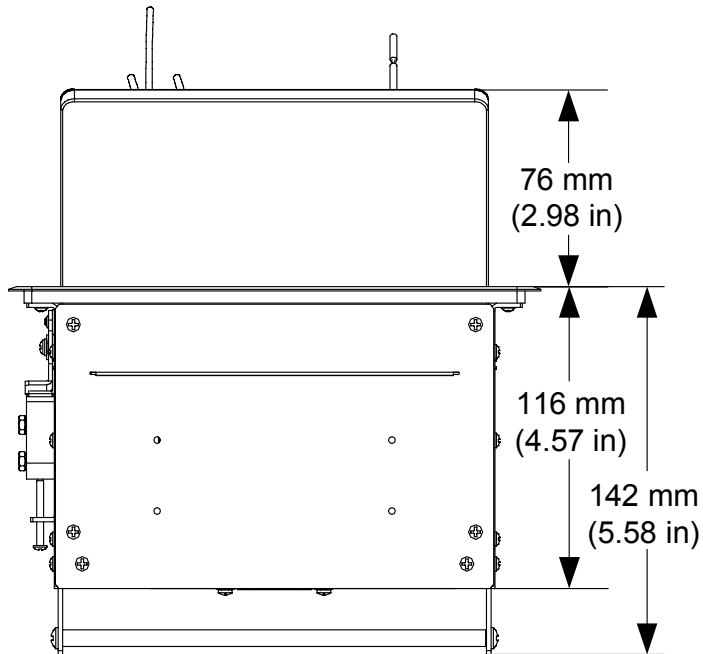
*FTI-PWR-D Overall Dimensions (Front View)*



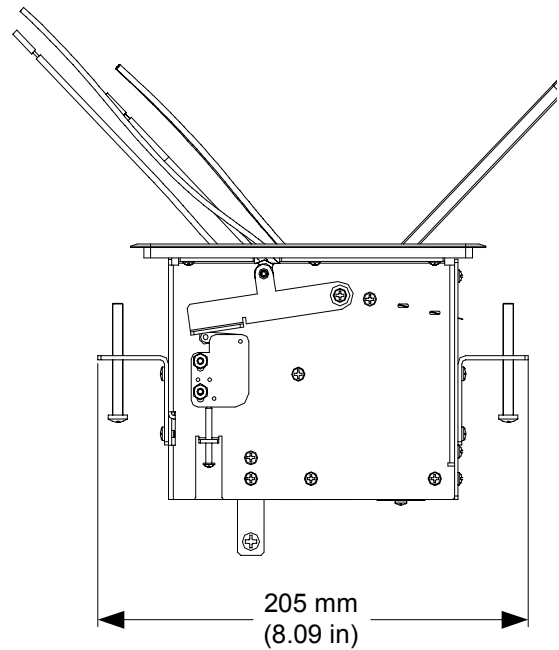
*FTI-PWR-D (Bottom View)*



*FTI-PWR-D Overall Dimensions (Rear View)*

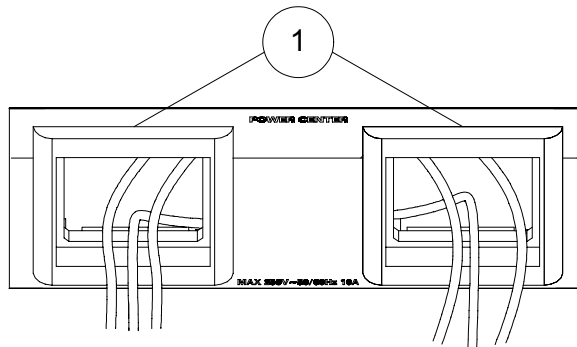


*FTI-PWR-D Overall Dimensions (Side View)*

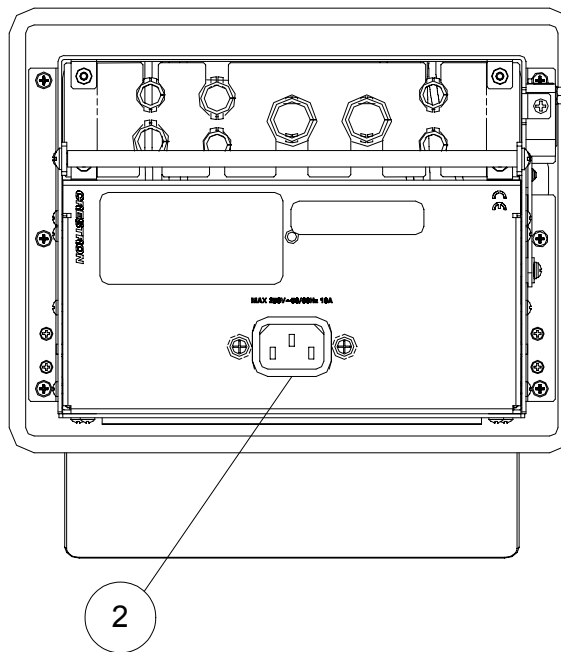




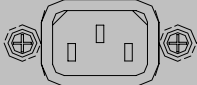
*FTI-PWR-D (Front Face View)*



*FTI-PWR-D (Bottom View)*



*Connectors, Controls, & Indicators*

#	CONNECTORS, CONTROLS, & INDICATORS	DESCRIPTION
1	MAX 250V~50/60Hz 10A	(2) Grounded AC sockets, AC power pass-through outlets  Specify Socket Type: PWR-AU-B (Australia/China), PWR-EU-B (Europe "Schuko"), PWR-FR-B (France), PWR-IT-B (Italy), PWR-UK-B (UK);  Maximum Load: 10 Amps @ 250 Volts AC, 50/60 Hz
2	MAX 250V~50/60Hz 10A 	(1) IEC socket Passes through to front panel AC power outlet

## Setup

### Installation

**NOTE:** To prevent overheating, do not operate this product in an area that exceeds the environmental temperature range listed in the specifications table. Consideration must be given if installed inside a closed desk or in a closed podium since the operating ambient temperature of these environments may be greater than the room ambient temperature. Contact with thermal insulating materials should be avoided on all sides of the unit.

Use the following steps to install the FTI-PWR-D.

Tools required:

- Phillips screwdriver (not included)
- Appropriate carpentry tools for cutout

#### Cable Management Kit

The FTI-PWR-D is shipped with a separate cable management kit for organizing cables fed into the power center.

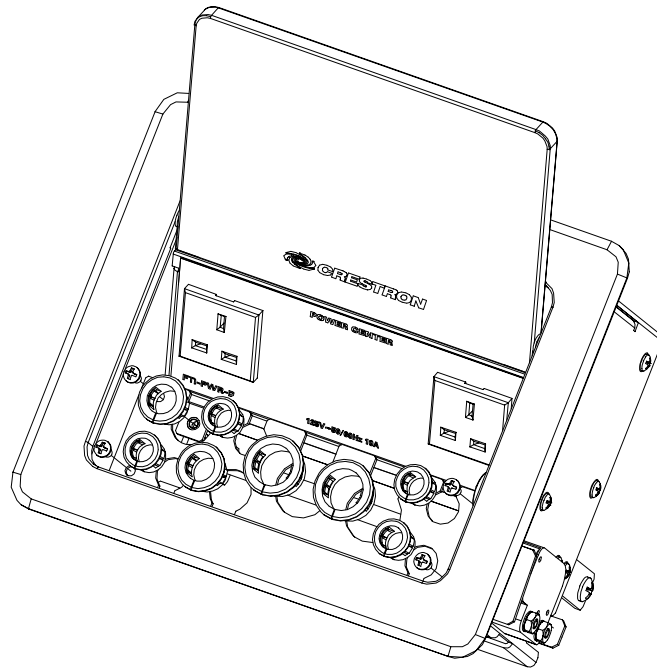
#### Parts Supplied for Cable Management Kit

DESCRIPTION	PART NUMBER	QUANTITY
Cable Support Plate	2023519	1
Bushings, 14 mm (0.55 in) ID, 20 mm (0.80 in) OD	2010496	2
Bushings, 10 mm (0.39 in) ID, 17 mm (0.64 in) OD	2011070	2
Bushings, 8 mm (0.31 in) ID, 13 mm (0.50 in) OD	2009522	4
Screws, #04-40 x 1/4" (~7 mm)	2007158	4

The cable support plate should be installed before mounting the FTI-PWR-D to a surface. The cables are threaded through the cable support plate.

1. Place bushings on the cables you wish to install in the power center (eight bushings supplied). Use bushings appropriate for the diameter of each cable.
2. Thread the cables through the cable support plate slots appropriate for the size of the cable and the bushing you attached in the previous step.
3. Snap the bushings into the slots on the cable support plate.
4. Feed all excess cable through the opening.
5. Attach the cable support plate using the four #04-40 x 1/4" (~7 mm) screws.
6. If desired, any installed cables can be secured to the bottom bar with tie wraps (not supplied).

*Cable Support Plate Installation*



When selecting cables for installation in the FTI-PWR-D, cable connector length and strain relief diameter are important considerations.

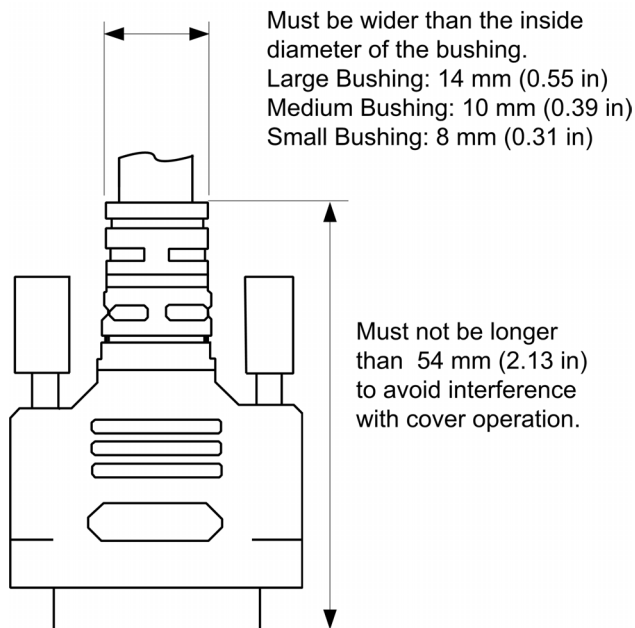
- If the connector is too long, it can interfere with cover operation.
- If the width of the cable strain relief is too similar to the bushing inside diameter, the bushing can trap the cable.

---

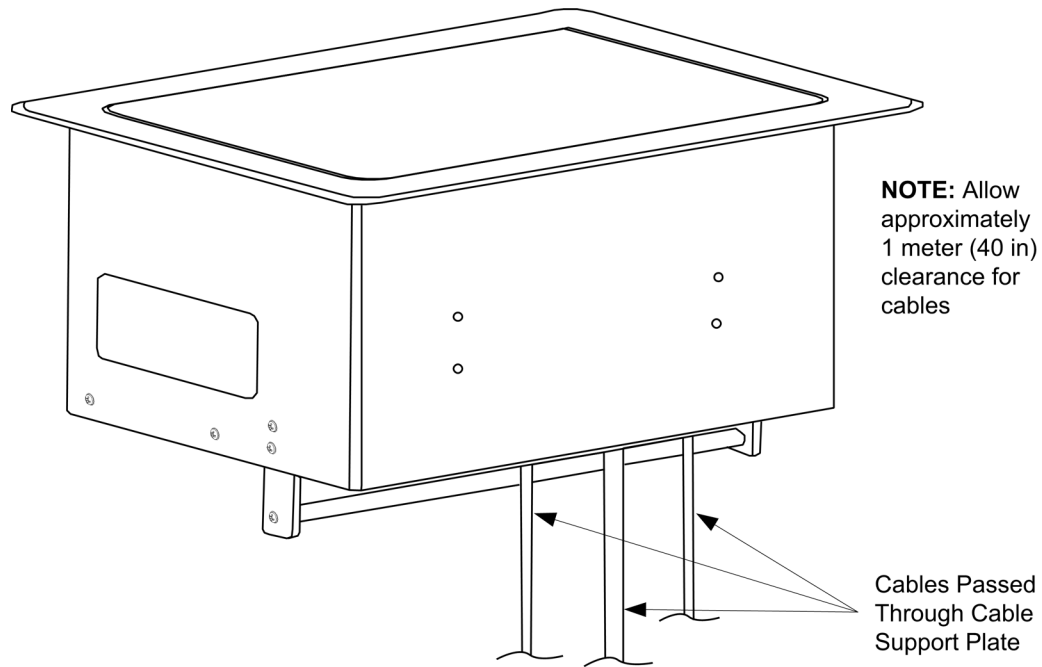
**NOTE:** Do not use the cable support plate without the bushings.

---

*Example Cable End*



*Cables Threaded Through the Cable Plate*

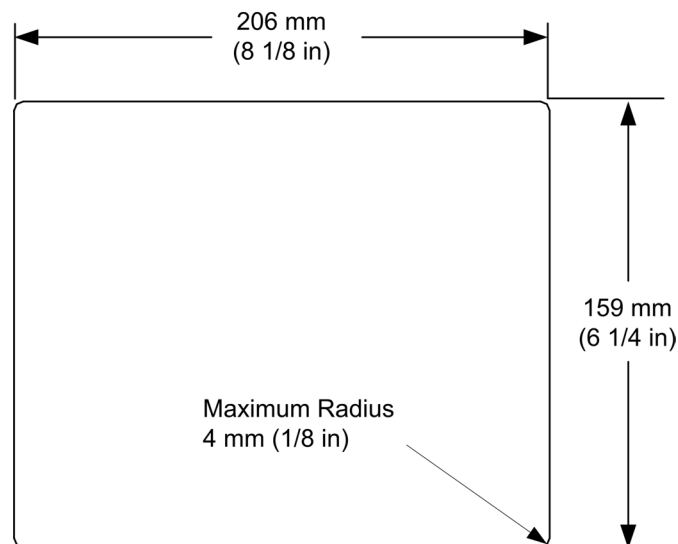


**NOTE:** Ensure that any cables you install have sufficient clearance to enable smooth movement. Allow approximately 1 meter (40 inches) from the top surface of the FlipTop box.

**Surface Mounting**

The FTI-PWR-D is designed to mount in a horizontal surface, such as a desk top, lectern, or podium. The following diagram illustrates the required opening size to accommodate the FTI-PWR-D. Use the template supplied with the FTI-PWR-D (4508463) to make the cutout.

*Cutout Dimensions for the FTI-PWR-D (Not Actual Cutout Template)*



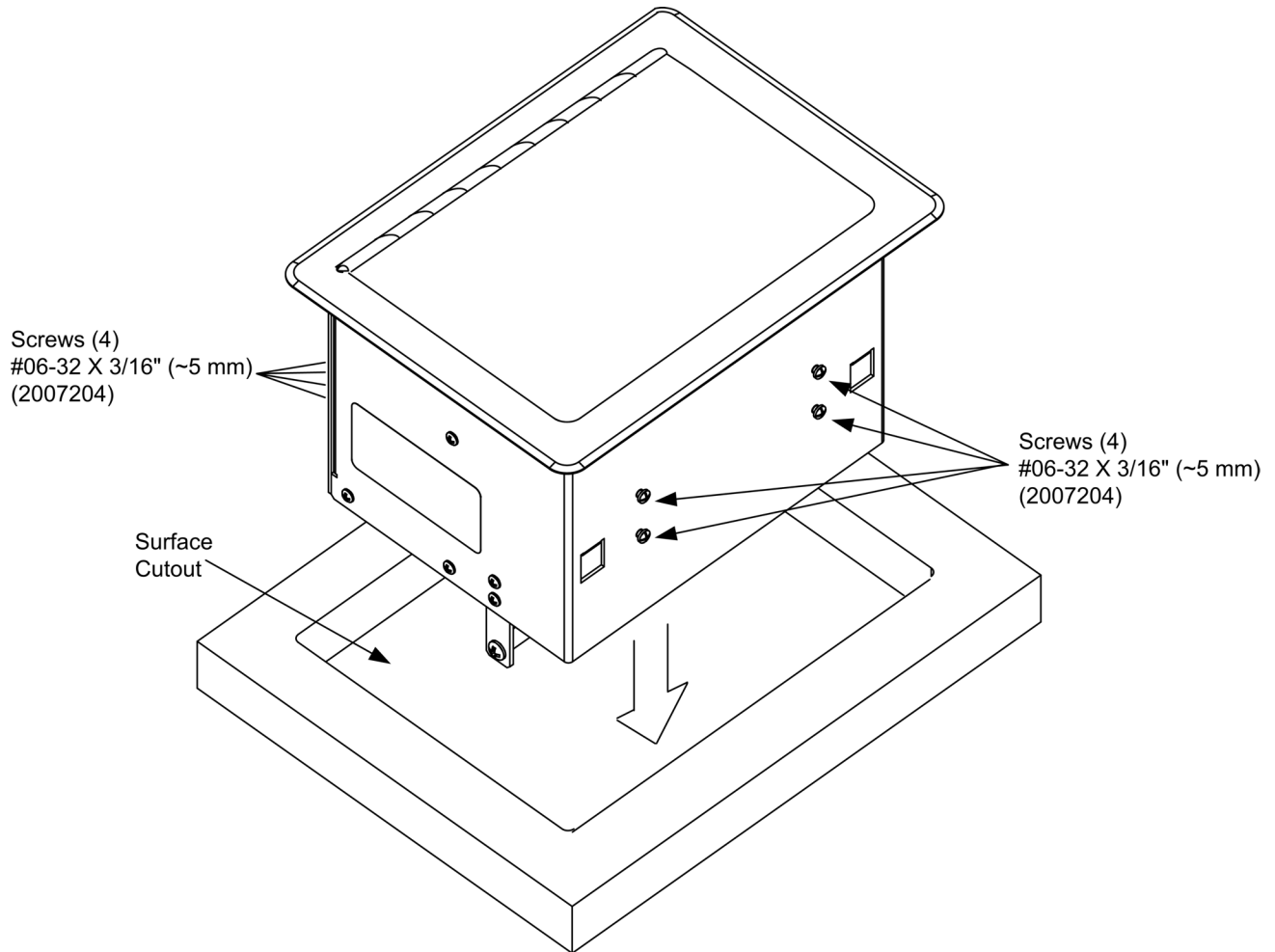
**NOTE:** Be sure to feed the attached power cord and all required cables through the mounting hole before inserting the FTI-PWR-D.

*Mounting Parts Supplied*

DESCRIPTION	PART NUMBER	QUANTITY
Screws, #06-32 x 3/16" (~5 mm), Pan Head, Phillips	2007204	8
Screws, #10-32 x 2" (~51 mm), Pan Head, Phillips	2007293	4
Mounting Bracket	2013224	2

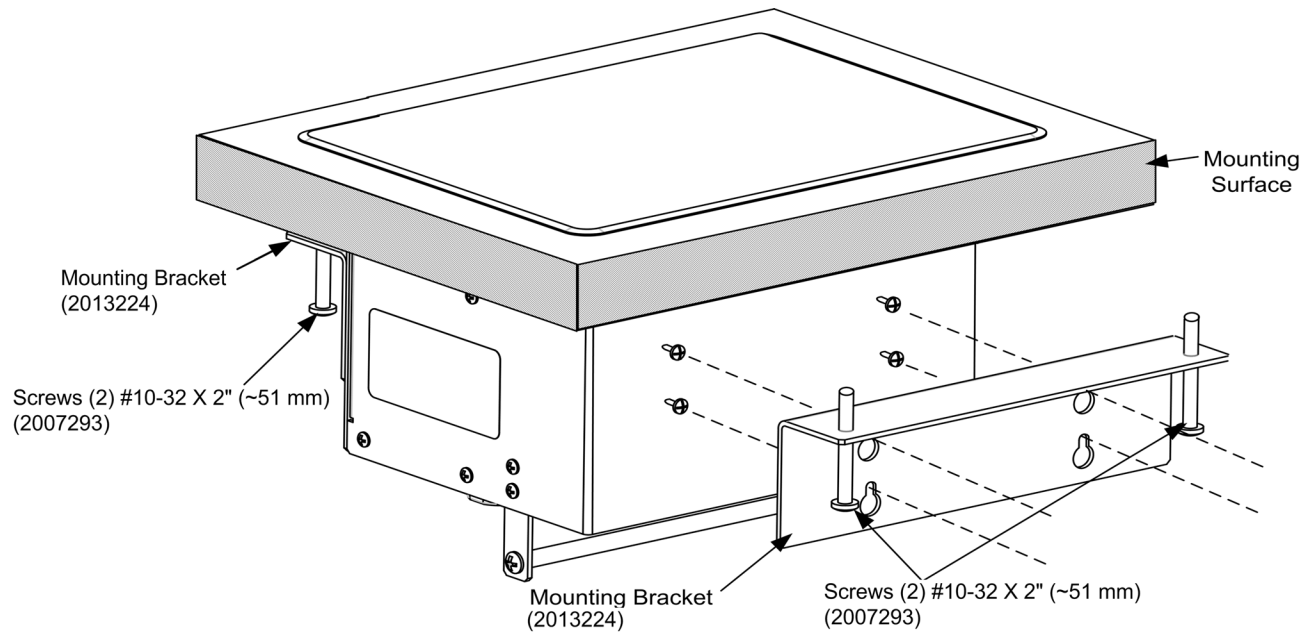
1. Install the eight supplied #06-32 x 3/16" (~5 mm) screws (2007204) on the front and back of the unit. Do not fully tighten the screws. These will be used to secure the front and back mounting brackets. Refer to the illustration below.
2. Position the FTI-PWR-D in the mounting hole.

*Mounting Bracket Screw Locations*



3. Thread a small portion of the #10-32 x 2" (~51 mm) screws (2007293) into the mounting brackets (two screws per bracket). Refer to the illustration on the following page.
4. Slide the mounting brackets over the #06-32 screws and tighten the #06-32 screws.

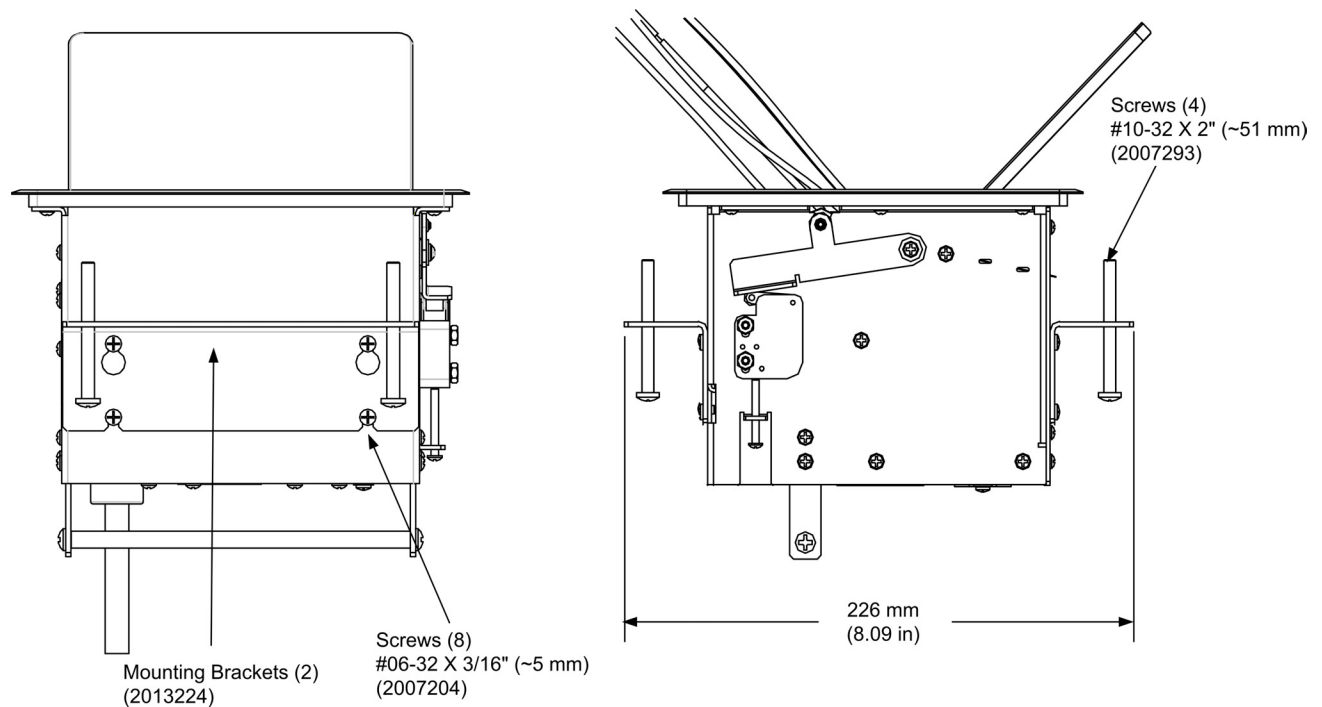
*Mounting Bracket Installation*



5. Turn the four #10-32 screws equally until they contact the underside of the mounting surface enough to secure the unit. **DO NOT OVER-TIGHTEN.**

**CAUTION:** Do not over-tighten the #10-32 screws as this may damage the surface and/or the unit.

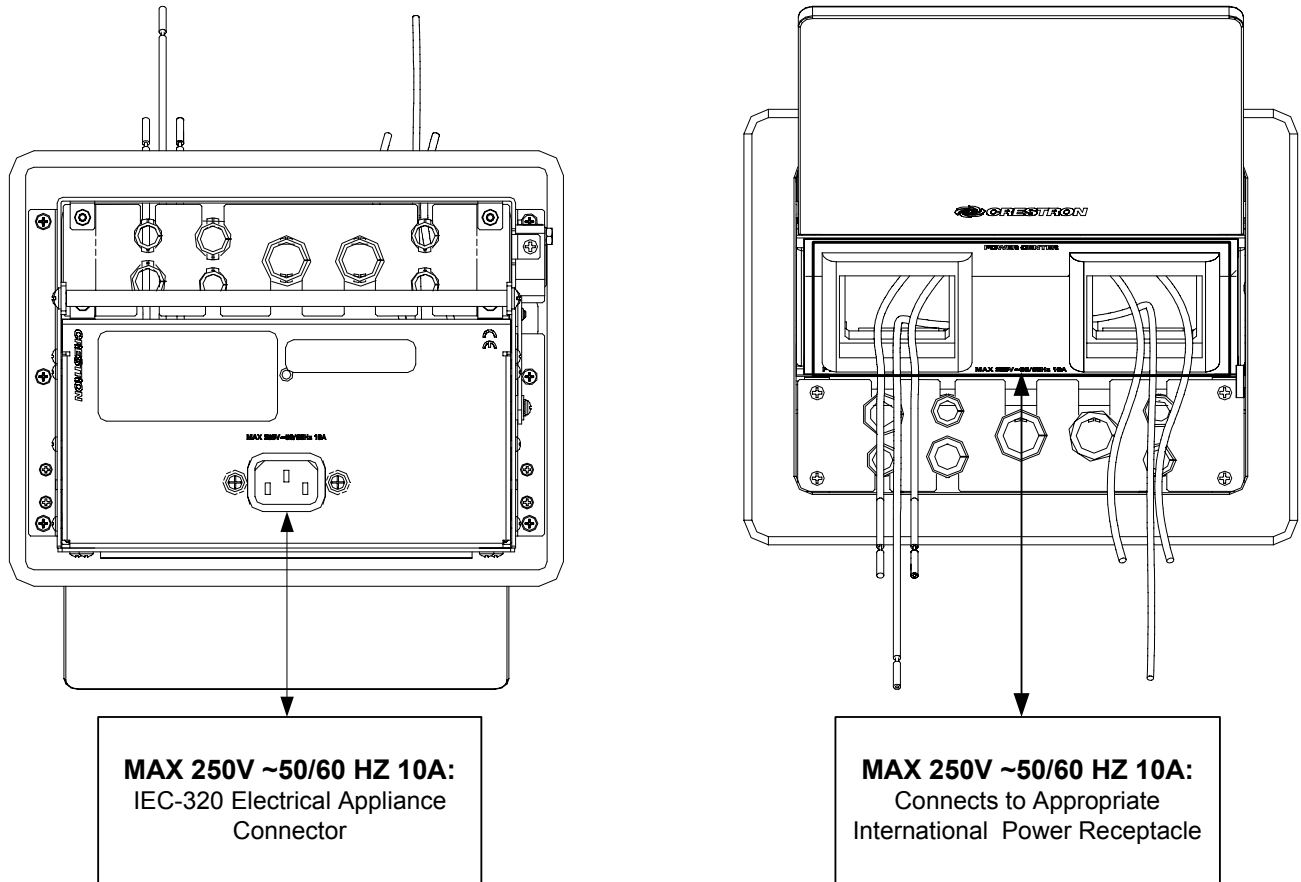
*FTI-PWR-D (Mounting Brackets Installed)*



### Hardware Hookup

Make the necessary connections as called out in the following illustration.

*Hardware Connections for the FTI-PWR-D*




---

**NOTE:** Apply power after all connections have been made.

**NOTE:** For a list of international power receptacles refer to “Appendix: International Power Receptacles” on page 14.

**NOTE:** The maximum continuous current from equipment under any external load conditions shall not exceed a current limit that is suitable for the minimum wire gauge used in interconnecting cables. The ratings on the connecting unit's supply input should be considered to prevent overloading the wiring.

---

## Operation

The spring-loaded lid is opened by pressing briefly and releasing it. Cables are stored neatly beneath the lid when not in use to keep out debris and dust. The lid opens 135 degrees, allowing full access to cables and power inside.

Beneath the lid, a recessed compartment with eight grommets holes through the bottom plate allows any type of AV, communication, data or control cables to be instantly available for connection to your devices. The recessed compartment also contains two grounded AC sockets.



---

## Problem Solving

### Troubleshooting

The following table provides corrective action for possible trouble situations. If further assistance is required, please contact a Crestron customer service representative.

#### *FTI-PWR-D Troubleshooting*

TROUBLE	POSSIBLE CAUSE(S)	CORRECTIVE ACTION
Device connected to the AC socket is not working.	Lack of, or insufficient, power to AC socket.	Provide appropriate power to the line cord.
	Device is not receiving power.	Check that plug is fully inserted into AC socket.
		Check that power receptacle is wired correctly.

### Further Inquiries

If you cannot locate specific information or have questions after reviewing this guide, please take advantage of Crestron's award winning customer service team by calling Crestron at 1-888-CRESTRON [1-888-273-7876].

You can also log onto the online help section of the Crestron website ([www.crestron.com/onlinehelp](http://www.crestron.com/onlinehelp)) to ask questions about Crestron products. First-time users will need to establish a user account to fully benefit from all available features.

### Future Updates

As Crestron improves functions, adds new features and extends the capabilities of the FTI-PWR-D, additional information may be made available as manual updates. These updates are solely electronic and serve as intermediary supplements prior to the release of a complete technical documentation revision.

Check the Crestron website periodically for manual update availability and its relevance. Updates are identified as an “Addendum” in the Download column.

## Appendix: International Power Receptacles

PART NUMBER	DESCRIPTION	COUNTRIES
6501271	PWR-AU-B POWER RECEPTACLE, AUSTRALIA, 250V, 10A, BLK	Australia, Fiji, New Zealand, Papua New Guinea
6501272	PWR-EU-B POWER RECEPTACLE, EUROPE "SCHUKO", 250V, 16A, BLK	Austria, Azerbaijan, Belarus, Bosnia and Herzegovina, Brunei, Bulgaria, Burundi, Cape Verde, Chad, Croatia, Czech Republic, Egypt, Eritrea, Finland, Georgia, Germany, Greece, Greenland, Guinea-Bissau, Hungary, Iceland, Jordan, Kazakhstan, Korea (South), Kyrgyzstan, Liechtenstein, Luxemburg, Macedonia, Monaco, Montserrat, Morocco, Mozambique, Netherlands, Netherlands Antilles, New Caledonia, Norway, Poland, Portugal, Reunion, Romania, Russia, San Marino, Senegal, Serbia and Montenegro, Slovenia, Spain, Suriname, Sweden, Syria, Tunisia, Turkey, Ukraine, Vietnam
6500643	PWR-IT-B POWER RECEPTACLE, ITALY, 250V, 16A, BLK	Chile, Ethiopia, Italy, Libya
6501273	PWR-UK- POWER RECEPTACLE, UK, 250V, 13A, BLK	Anguilla, Bahrain, Botswana, Burma (Myanmar), Cyprus, Dominica, Falkland Islands (Malvinas), Gambia, Ghana, Gibraltar, Hong Kong, Iraq, Ireland, Kenya, Kuwait, Liberia, Malawi, Malaysia, Malta, Mauritius, Nigeria, Northern Ireland, Oman, Qatar, St. Kitts-Nevis, St. Lucia, St. Vincent, Seychelles, Sierra Leone, Singapore, Sudan, Tanzania, Uganda, United Arab Emirates, United Kingdom, Yemen, Zambia, Zimbabwe
6501274	PWR-FR-B POWER RECEPTACLE, FRANCE, 250V, 16A, BLK	Algeria, Belgium, Cameroon, Central African Republic, Comoros, Congo Democratic Republic, Djibouti, France, French Guiana, Gabon, Guadeloupe, Guinea, Indonesia, Madagascar, Mali, Martinique, Togo

---

## Return and Warranty Policies

### Merchandise Returns / Repair Service

1. No merchandise may be returned for credit, exchange or service without prior authorization from CRESTRON. To obtain warranty service for CRESTRON products, contact an authorized CRESTRON dealer. Only authorized CRESTRON dealers may contact the factory and request an RMA (Return Merchandise Authorization) number. Enclose a note specifying the nature of the problem, name and phone number of contact person, RMA number and return address.
2. Products may be returned for credit, exchange or service with a CRESTRON Return Merchandise Authorization (RMA) number. Authorized returns must be shipped freight prepaid to CRESTRON, 6 Volvo Drive, Rockleigh, N.J. or its authorized subsidiaries, with RMA number clearly marked on the outside of all cartons. Shipments arriving freight collect or without an RMA number shall be subject to refusal. CRESTRON reserves the right in its sole and absolute discretion to charge a 15% restocking fee plus shipping costs on any products returned with an RMA.
3. Return freight charges following repair of items under warranty shall be paid by CRESTRON, shipping by standard ground carrier. In the event repairs are found to be non-warranty, return freight costs shall be paid by the purchaser.

### CRESTRON Limited Warranty

CRESTRON ELECTRONICS, Inc. warrants its products to be free from manufacturing defects in materials and workmanship under normal use for a period of three (3) years from the date of purchase from CRESTRON, with the following exceptions: disk drives and any other moving or rotating mechanical parts, pan/tilt heads and power supplies are covered for a period of one (1) year; touchscreen display and overlay components are covered for 90 days; batteries and incandescent lamps are not covered.

This warranty extends to products purchased directly from CRESTRON or an authorized CRESTRON dealer. Purchasers should inquire of the dealer regarding the nature and extent of the dealer's warranty, if any.

CRESTRON shall not be liable to honor the terms of this warranty if the product has been used in any application other than that for which it was intended or if it has been subjected to misuse, accidental damage, modification or improper installation procedures. Furthermore, this warranty does not cover any product that has had the serial number altered, defaced or removed.

This warranty shall be the sole and exclusive remedy to the original purchaser. In no event shall CRESTRON be liable for incidental or consequential damages of any kind (property or economic damages inclusive) arising from the sale or use of this equipment. CRESTRON is not liable for any claim made by a third party or made by the purchaser for a third party.

CRESTRON shall, at its option, repair or replace any product found defective, without charge for parts or labor. Repaired or replaced equipment and parts supplied under this warranty shall be covered only by the unexpired portion of the warranty.

Except as expressly set forth in this warranty, CRESTRON makes no other warranties, expressed or implied, nor authorizes any other party to offer any warranty, including any implied warranties of merchantability or fitness for a particular purpose. Any implied warranties that may be imposed by law are limited to the terms of this limited warranty. This warranty statement supersedes all previous warranties.

#### Trademark Information

All brand names, product names and trademarks are the sole property of their respective owners. Windows is a registered trademark of Microsoft Corporation. Windows 95/98/Me/XP/Vista/7 and Windows NT/2000 are trademarks of Microsoft Corporation.



**Crestron Electronics, Inc.**  
15 Volvo Drive Rockleigh, NJ 07647  
Tel: 888.CRESTRON  
Fax: 201.767.7576  
[www.crestron.com](http://www.crestron.com)

**Operations & Installation Guide – DOC. 6797B  
(2023946)**

**06.10**

Specifications subject to  
change without notice.