

IW5, IW6, IW8

Excite™ In-Wall Speakers

Ideal components of every Sonnex™, Prodigy®, or Adagio® multiroom audio system, Excite™ speakers by Crestron® offer excellent sound quality and flexible installation in a range of popular sizes and configurations.

The IW5, IW6, and IW8 rectangular in-wall speakers, sold in pairs, include paint plugs installed on the front of the speakers, perforated metal grilles, and a mounting cut out template. The matte white ABS plastic frame and white metal grille can be painted to suit any room decor.



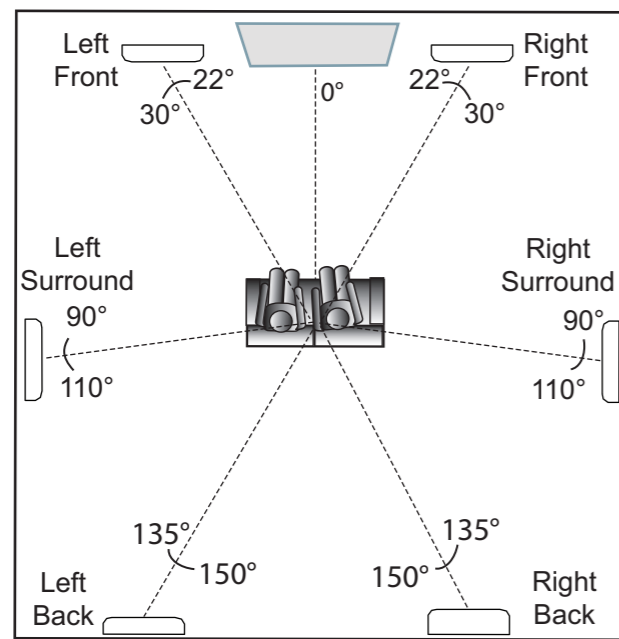
1 Installation

Determine Placement In Room

For applications such as classrooms, conference rooms, and multi-room audio distribution installation, the Excite in-wall speakers are available in three different sizes providing a great deal of flexibility to suit almost any application.

For home theater applications, the Excite in-wall speaker line is an excellent choice for the front, surround, and back channels.

As indicated in the figure below, suggested placement is at the angles from the 0° primary viewing/ listening angle. For best results, place speakers anywhere from the listener's ear level to 2 to 3 feet (~ 0.6 to 0.9 meters) above.

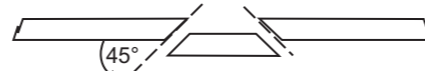


Prepare Mounting Holes

Before finalizing the speaker locations, check to make sure there are no fixtures, pipes, air ducts, power cables or other wiring, or other possible obstructions. Use a good quality stud finder to locate wall framing.

If it is uncertain that there are no obstructions in the proposed speaker locations, carefully drill a small hole just through the wall near the middle of the location(s) and use one of the commercially available inspection devices designed for this purpose, or do one of the following:

- Use a piece of stiff wire, bent into an “L” shape, with one end long enough to explore an area equal to the size of the speaker with the toggle clamps extended. Insert the wire into the hole, make sure it moves freely through the proposed speaker area and that there is sufficient depth, **or**
- Use a drywall saw to cut a small hole at a 45° angle toward the inside of the hole. An angle cut simplifies repair since the removed piece can be reinserted to help plug the hole.



If there are no obstructions, use the supplied template to trace outlines of the mounting holes on the wall. Cut the final mounting holes at a 90° angle to the wall.



Paint the Speakers/Grilles

Speaker rim and/or grille painting should be done prior to mounting.

1. Leave the painting plug installed in the front of the speaker.
2. Carefully remove the material on the underside of the grille and set it aside for reinstallation. It may be necessary to use a knife or other sharp instrument to free an edge of the material so it can be peeled away. Use care to avoid cutting the material.
3. Dry brush or lightly spray the surface to be painted. Use care to avoid clogging the holes in the grille.

Install Cables

Run the cables from the audio source to each speaker location following all appropriate local codes. Strip the ends of the speaker cable wires 1/4” to 1/2” (6 mm to 12 mm) and twist the exposed strands.

Mount/Remove Speakers

The in-wall speakers include six toggle clamps that simplify the mounting process. If grilles are mounted on the speakers, remove them before proceeding. (Refer to “Install/ Remove Grilles”, below.)

1. Connect the speaker cable wires to the spring terminals by pressing the top of the terminals down and inserting the exposed strands into the hole. Make sure that left and right channels are connected to the left and right speakers, respectively, and that the + wires go to the + (red coded) terminals, and the – wires go to the – (black coded) terminals.
2. With the toggle clamps turned inward, insert the speaker into the opening. Then, carefully tighten the six screws on the front of the speaker. The toggle clamps first rotate into clamping position and then begin holding the speaker to the wall. Tighten the screws until the speaker is secure; do not overtighten.
3. Speaker removal is accomplished by reversing the procedures given in steps 1 and 2 above.
 - a. Loosen the front screws to unclamp the speaker. Continue to loosen the screws until the toggle clamps rotate inward.
 - b. When the speaker is loose, carefully pull the speaker out from the opening.
 - c. Disconnect the wires from the terminals.

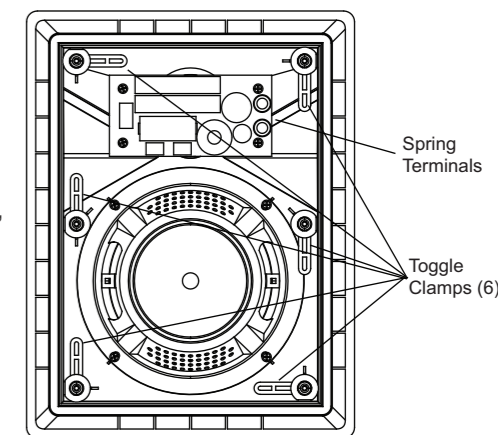
Install/Remove Grilles

To install the grille, place it in position and carefully press until the surface of the grille is flush with the surface of the outer flange.

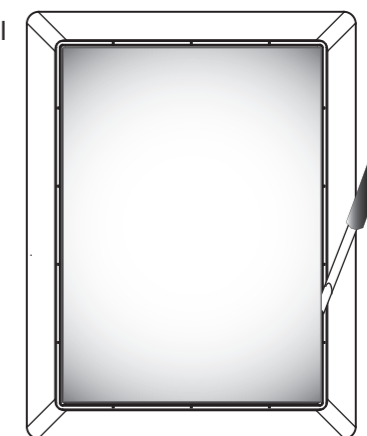
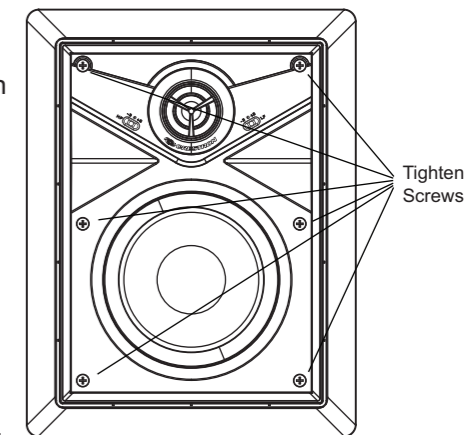
To remove the grille, insert a slim, flat-blade screwdriver between the grille and the outer flange, and carefully pry the grille up and out.

It may be necessary to press one or more of the mounting screws and toggle clamps toward the front to push the grille free of the flange.

Rear View (Typical)



Front View (Typical)



IW5, IW6, IW8

Excite™ In-Wall Speakers

2 Adjustments

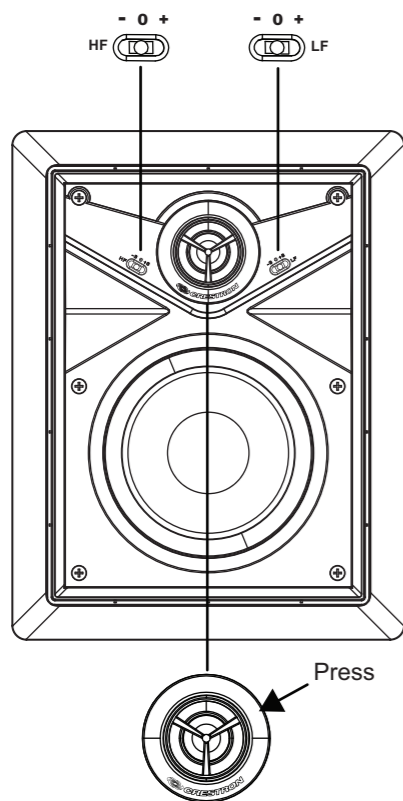
Frequency Settings

Adjusting the high and low frequency range switch settings (refer to illustration below) is largely a matter of personal preference.

The settings produce the following results.

- : Reduces the selected range loudness
- 0: Loudness remains neutral
- +: Increases the selected range loudness

The recommended setting for the low frequency range (LF) switch is - to reduce bass when the speaker is in a corner, + to increase bass when the speaker is not near a wall or ceiling corner, and 0 (neutral) when the speaker is near one wall or ceiling corner.



Aiming the Tweeter

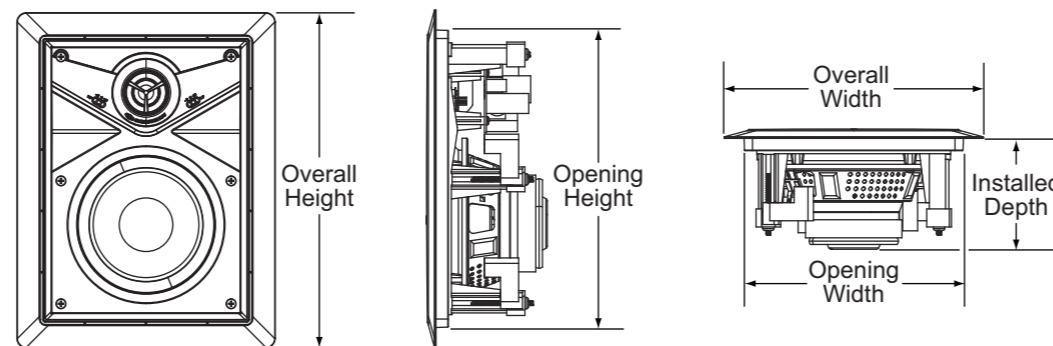
The tweeter can be aimed toward the primary listening position by gently pressing on the plastic ring around the tweeter dome. (Refer to the illustration above.)

3 Specifications

IW5, IW6, IW8 Specifications

SPECIFICATION	IW5	IW6	IW8
Woofer	1	1	1
Size	5.25 in (134 mm)	6.50 in (165 mm)	8.00 in (203 mm)
Material	Polypropylene	Polypropylene	Polypropylene
Tweeter	1	1	1
Size	0.79 in (20 mm)	0.79 in (20 mm)	0.98 in (25 mm)
Material	Treated cloth	Treated cloth	Treated cloth
Surround Material	Rubber	Rubber	Rubber
Minimum Performance			
Frequency Response (-3dB)	60 Hz - 20 kHz	55 Hz - 20 kHz	50 Hz - 20 kHz
Power Handling (Program)	60 W	75 W	125 W
Sensitivity (1W @ 1m)	87 dB	89 dB	89 dB
Electrical			
Bass Switch	Yes	Yes	Yes
Tweeter Switch	Yes	Yes	Yes
Impedance / Voltage	8 Ohm	8 Ohm	8 Ohm
Crossover Type	2nd Order L-R	2nd Order L-R	2nd Order L-R
Terminations	Spring Terminals	Spring Terminals	Spring Terminals
Mechanical			
Baffle Material	ABS	ABS	ABS
Mounting System	Toggle Clamps	Toggle Clamps	Toggle Clamps
Grill Material	Aluminum	Aluminum	Aluminum
Swivel Tweeter	Yes	Yes	Yes
Paint Mask	Yes X2	Yes X2	Yes X2
Basket Material	Steel	Steel	Steel
Maximum Depth	3.93 in (100 mm)	4.19 in (106 mm)	4.42 in (112 mm)
Available Colors	White	White	White
Dimensions			
Overall Height	10.99 in (279 mm)	12.43 in (316 mm)	14.47 in (368 mm)
Overall Width	8.47 in (215 mm)	9.54 in (242 mm)	11.02 in (280 mm)
Opening Height	9.69 in (246 mm)	11.13 in (282 mm)	13.17 in (335 mm)
Opening Width	7.17 in (182 mm)	8.24 in (210 mm)	9.72 in (247 mm)
Installed Depth	3.62 in (92 mm)	3.88 in (99 mm)	4.11 in (105 mm)
Weight	3.4 lbs (1.5 kg)	4.1 lbs (1.8 kg)	5.0 lbs (2.3 kg)
Environmental			
Temperature	41° to 104° F (5° to 40° C)		
Humidity	10 to 90% RH (non-condensing, indoor use only)		

Front, Side, and Bottom Views (Typical)



4 Problem Solving

Troubleshooting

The following table provides corrective action for possible trouble situations. If further assistance is required, please contact a Crestron customer service representative.

TROUBLE	POSSIBLE CAUSE(S)	CORRECTIVE ACTION
No sound or intermittent sound from speakers.	Cable connection error.	Verify cable connections between amplifier and speakers.
	Amplifier not receiving input signal or amplifier malfunction.	Verify amplifier is functioning correctly, that it is receiving an input signal and that correct input source is selected.
Constant noise such as buzz, hum, or hiss from speakers.	Faulty device in system.	Verify all devices in system are functioning properly.
	System grounding fault.	Verify system grounding.
Poor low frequency output.	Incorrect polarity connection at speaker.	Verify speaker connection polarity (i.e. + on speaker to + on amplifier).

Further Inquiries

To locate specific information or resolve questions after reviewing this guide, contact Crestron's True Blue Support at 1-888-CRESTRON [1-888-273-7876] or refer to the listing of Crestron worldwide offices on the Crestron Web site (www.crestron.com/offices) for assistance within a particular geographic region.

To post a question about Crestron products, log onto the Online Help section of the Crestron Web site (www.crestron.com/onlinehelp). First-time users must establish a user account to fully benefit from all available features.

Future Updates

Check the Crestron Web site periodically for manual update availability and its relevance. Updates are identified as an "Addendum" in the Download column.

The specific patents that cover Crestron products are listed at patents.crestron.com.

Crestron, the Crestron logo, Adagio, Excite, Prodigy, and Sonnex are either trademarks or registered trademarks of Crestron Electronics, Inc. in the United States and/or other countries. Other trademarks, registered trademarks, and trade names may be used in this document to refer to either the entities claiming the marks and names or their products. Crestron disclaims proprietary interest in the marks and names of others.

©2012 Crestron Electronics, Inc.