

CSA-PWS40

Power Pack for Crestron® Shade Interfaces & Shade or Drapery Motors
Installation Guide



Description

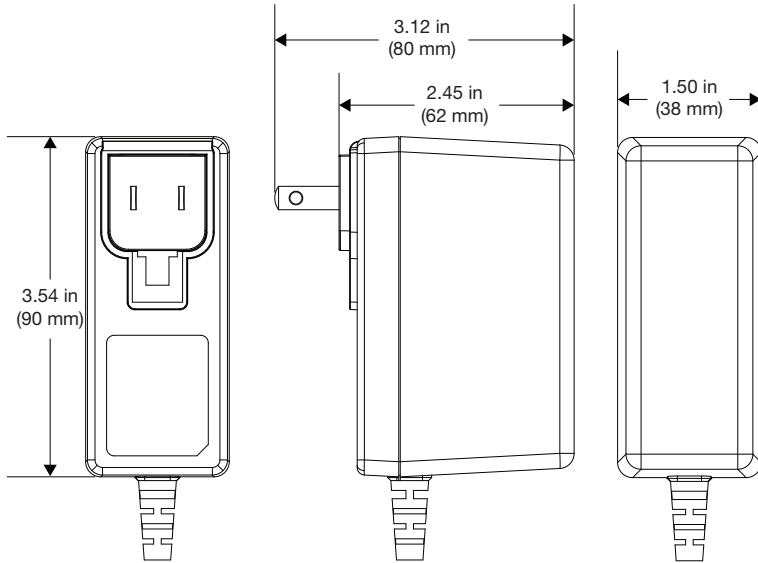
The CSA-PWS40 is a wall-mounted, 40 W, 24 V regulated power pack that provides power for a Crestron® shade.

The CSA-PWS40 provides local power for one Crestron shade motor, such as the CSM-QMT shade motor, via a direct connection to the motor's pigtail. This is useful in situations where an infiNET EX® wireless network is employed or where power cannot be supplied over a Cresnet® cable.

CSA-PWS40 Specifications

SPECIFICATION	DETAILS
Load Ratings	
Output	40 W (1.67 A) at 24 Vdc regulated
Ripple/Noise	<150 mV
Power Requirements	
Line Power	100-240 Vac, 1.0 A 50/60 Hz
Enclosure	White, 94 V-0 polycarbonate
Environmental	
Temperature	32° to 104 °F (0° to 40 °C)
Humidity	15% to 95% RH (noncondensing)
Dimensions	
Height	3.54 in (90 mm)
Width	1.50 in (38 mm)
Depth	3.12 in (80 mm)

CSA-PWS40 Dimensions



Additional Resources

Visit the product page on the Crestron website (www.crestron.com) for additional information and the latest firmware updates. Use a QR reader application on your mobile device to scan the QR image.



Installation and Wiring

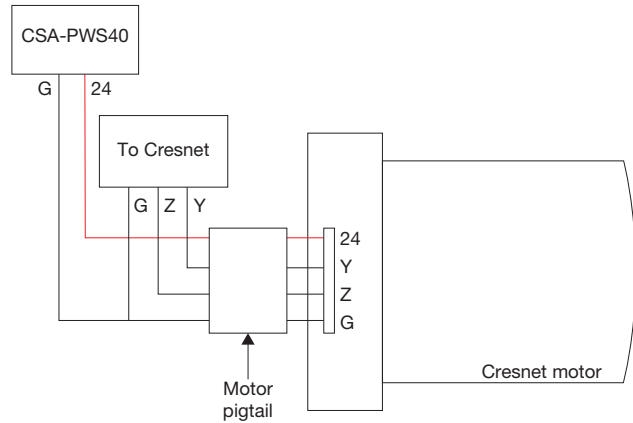
NOTE: Install and use this product in accordance with appropriate electrical codes and regulations.

Follow these steps to install the CSA-PWS40.

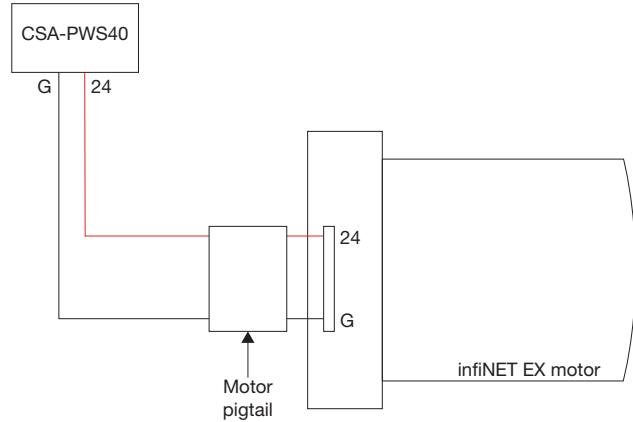
1. Connect the flying leads from the CSA-PWS40 to the supplied connectors.
2. Connect the CSA-PWS40 to the CSM-QMT shade motor.
3. After all connections have been made, plug the CSA-PWS40 into a 120 V power outlet.

Refer to the following illustration for a typical wiring diagram where the CSA-PWS40 wall mount power pack powers a CSM-QMT shade motor via the motor's pigtail wiring.

CSA-PWS40 Wiring Diagram Using a Cresnet Motor



CSA-PWS40 Wiring Diagram Using an infiNET EX Motor



This product is Listed to applicable UL® Standards and requirements tested by Underwriters Laboratories Inc.

Ce produit est homologué selon les normes et les exigences UL applicables par Underwriters Laboratories Inc.



Federal Communications Commission (FCC) Compliance Statement

This device complies with part 15 of the FCC Rules. Operation is subject to the following conditions: (1) This device may not cause harmful interference and (2) this device must accept any interference received, including interference that may cause undesired operation.

CAUTION: Changes or modifications not expressly approved by the manufacturer responsible for compliance could void the user's authority to operate the equipment.

NOTE: This equipment has been tested and found to comply with the limits for a Class B digital device, pursuant to part 15 of the FCC Rules. These limits are designed to provide reasonable protection against harmful interference in a residential installation. This equipment generates, uses and can radiate radio frequency energy and, if not installed and used in accordance with the instructions, may cause harmful interference to radio communications. However, there is no guarantee that interference will not occur in a particular installation. If this equipment does cause harmful interference to radio or television reception, which can be determined by turning the equipment off and on, the user is encouraged to try to correct the interference by one or more of the following measures:

- Reorient or relocate the receiving antenna.
- Increase the separation between the equipment and receiver.
- Connect the equipment into an outlet on a circuit different from that to which the receiver is connected.
- Consult the dealer or an experienced radio/TV technician for help.

Industry Canada (IC) Compliance Statement

CAN ICES-3 (B)/NMB-3(B)

The product warranty can be found at www.crestron.com/warranty.

The specific patents that cover Crestron products are listed at patents.crestron.com.

Certain Crestron products contain open source software. For specific information, please visit www.crestron.com/opensource.

Crestron, the Crestron logo, Cresnet, Crestron Toolbox, and infiNET EX are either trademarks or registered trademarks of Crestron Electronics, Inc. in the United States and/or other countries. UL and the UL logo are either trademarks or registered trademarks of Underwriters Laboratories, Inc. in the United States and/or other countries. Other trademarks, registered trademarks, and trade names may be used in this document to refer to either the entities claiming the marks and names or their products. Crestron disclaims any proprietary interest in the marks and names of others. Crestron is not responsible for errors in typography or photography.

This document was written by the Technical Publications department at Crestron.

©2017 Crestron Electronics, Inc.

Crestron Electronics, Inc.
15 Volvo Drive Rockleigh, NJ 07647
Tel: 888.CRESTRON
Fax: 201.767.7576
www.crestron.com

Installation Guide - DOC. 7370B
(2033857)
03.17

Specifications subject to
change without notice.