

# FT2A-CBLR-BRKT-700

## Mid-Row Cable Retractor Adapter Bracket for FT2-700 Series

- Enables installation of one cable retractor in the middle module position of either row within an FT2-700 Series FlipTop™
- Attaches below the table to the front or rear of the FlipTop chassis
- Provides mounting slots for one retractor and one power supply
- Compatible with FT2-700-MECH and FT2-700-ELEC Series FlipTops™
- Compatible with Gravity Retractors and One-Touch Retractors (FT2A-CBLR-GR and FT2A-CBLR-1T Series respectively)

The FT2A-CBLR-BRKT-700 is an adapter bracket for a Crestron® FT2-700 Series FlipTop™ that enables the installation of a single cable retractor in the middle position of either module row within the FlipTop. It attaches to the front or rear of the FlipTop chassis beneath the table according to which row the retractor is positioned, and provides mounting slots for one retractor and one power supply.

FT2-700 Series FlipTops normally support the installation of cable retractors at the left and right ends of each module row. Adding the FT2A-CBLR-BRKT-700 bracket allows a retractor to be installed in the middle of a row, allowing for a total of up to three retractors across the entire row. The mid-row retractor occupies the third and fourth module slots of the row.

When installing a mid-row retractor in the front row, the bracket and retractor attach to the front of the FlipTop chassis below the table. Conversely, installing a mid-row retractor in the rear row places the bracket and retractor on the rear of the chassis. Each row requires a separate bracket. When installed, the mid-row retractor enclosure projects from the front or rear of the chassis perpendicular to the end-mounted retractors. The cable connector nests within the retractor module above the table at a 90° rotation relative to other connectors within the FlipTop.

*Note: Using the bracket, an FT2A-CBLR-GR Series Gravity Retractor requires 2-3/4 inches (70 mm) horizontal clearance, and an FT2A-CBLR-1T Series One-Touch Retractor requires 9 inches (228 mm) horizontal clearance, measured from the front or rear of the FlipTop chassis beneath the table. Refer to each product's spec sheet for additional dimensions and clearances.*

When used with an FT2-700-ELEC Series "Electrical" FlipTop, the FT2A-CBLR-BRKT-700 bracket retains the ability to mount a single FT2A-UTK-PWS power supply on the same side as the cable retractor.

## Models & Accessories

### Available Models

#### FT2A-CBLR-BRKT-202

Mid-Row Cable Retractor Adapter Bracket for FT2-202 Series

#### FT2A-CBLR-BRKT-700

Mid-Row Cable Retractor Adapter Bracket for FT2-700 Series

#### FT2A-CBLR-BRKT-1200

Mid-Row Cable Retractor Adapter Bracket for FT2-1200 Series

#### FT2A-CBLR-BRKT-1400

Mid-Row Cable Retractor Adapter Bracket for FT2-1400 Series

### Available Accessories

#### FT2A-CBLR-1T-4K-DP

One-Touch Cable Retractor for FT2 ELEC Series, DisplayPort to DisplayPort, 18 Gbps

#### FT2A-CBLR-1T-4K-DP-HD

One-Touch Cable Retractor for FT2 ELEC Series, DisplayPort to HDMI®, 18 Gbps

#### FT2A-CBLR-1T-4K-HD

One-Touch Cable Retractor for FT2 ELEC Series, HDMI to HDMI, 18 Gbps

#### FT2A-CBLR-1T-4K-MDP-DP

One-Touch Cable Retractor for FT2 ELEC Series, Mini DisplayPort to DisplayPort, 18 Gbps

#### FT2A-CBLR-1T-4K-MDP-HD

One-Touch Cable Retractor for FT2 ELEC Series, Mini DisplayPort to HDMI, 18 Gbps

#### FT2A-CBLR-1T-4K-USBC-HD

One-Touch Cable Retractor for FT2 ELEC Series, USB-C™ to HDMI, 18 Gbps

#### FT2A-CBLR-1T-AUDIO

One-Touch Cable Retractor for FT2 ELEC Series, 3.5 mm Mini-TRS Plug to 3.5 mm Mini-TRS Plug, Stereo Audio

#### FT2A-CBLR-1T-CAT6

One-Touch Cable Retractor for FT2 ELEC Series, RJ45 to RJ45, CAT6

#### FT2A-CBLR-1T-USB

One-Touch Cable Retractor for FT2 ELEC Series, USB-A to USB-A, USB 3.0

#### FT2A-CBLR-1T-VGA

One-Touch Cable Retractor for FT2 ELEC Series, HD15 male to HD15 male, VGA, 1080p

#### FT2A-CBLR-GR-4K-DP

Gravity Cable Retractor for FT2 Series, DisplayPort to DisplayPort, 18 Gbps

Rev 02/06/19

# FT2A-CBLR-BRKT-700

## Mid-Row Cable Retractor Adapter Bracket for FT2-700 Series

### **FT2A-CBLR-GR-4K-DP-HD**

Gravity Cable Retractor for FT2 Series, DisplayPort to HDMI, 18 Gbps

### **FT2A-CBLR-GR-4K-HD**

Gravity Cable Retractor for FT2 Series, HDMI to HDMI, 18 Gbps

### **FT2A-CBLR-GR-4K-MDP-DP**

Gravity Cable Retractor for FT2 Series, Mini DisplayPort to DisplayPort, 18 Gbps

### **FT2A-CBLR-GR-4K-MDP-HD**

Gravity Cable Retractor for FT2 Series, Mini DisplayPort to HDMI, 18 Gbps

### **FT2A-CBLR-GR-4K-USBC-HD**

Gravity Cable Retractor for FT2 Series, USB-C to HDMI, 18 Gbps

### **FT2A-CBLR-GR-AUDIO**

Gravity Cable Retractor for FT2 Series, 3.5 mm Mini-TRS Plug to 3.5 mm Mini-TRS Plug, Stereo Audio

### **FT2A-CBLR-GR-CAT6**

Gravity Cable Retractor for FT2 Series, RJ45 to RJ45, CAT6

### **FT2A-CBLR-GR-USB**

Gravity Cable Retractor for FT2 Series, USB-A to USB-A, USB 3.0

### **FT2A-CBLR-GR-VCA**

Gravity Cable Retractor for FT2 Series, HD15 male to HD15 male, VGA, 1080p

This product may be purchased from an authorized Crestron dealer. To find a dealer, please contact the Crestron sales representative for your area. A list of sales representatives is available online at <https://www.crestron.com/How-To-Buy/Find-a-Representative> or by calling 855-263-8754.

The specific patents that cover Crestron products are listed online at [patents.crestron.com](https://patents.crestron.com).

Certain Crestron products contain open source software. For specific information, please visit [www.crestron.com/opensource](https://www.crestron.com/opensource).

Crestron, the Crestron logo, FlipTop, and FlipTops are either trademarks or registered trademarks of Crestron Electronics, Inc. in the United States and/or other countries. HDMI is either a trademark or registered trademark of HDMI Licensing LLC in the United States and/or other countries. USB Type-C is either a trademark or registered trademark of USB Implementers Forum, Inc. in the United States and/or other countries. Other trademarks, registered trademarks, and trade names may be used in this document to refer to either the entities claiming the marks and names or their products. Crestron disclaims any proprietary interest in the marks and names of others. Crestron is not responsible for errors in typography or photography.

Specifications are subject to change without notice.

©2019 Crestron Electronics, Inc.

Rev 02/06/19

#### **Crestron Electronics Inc.**

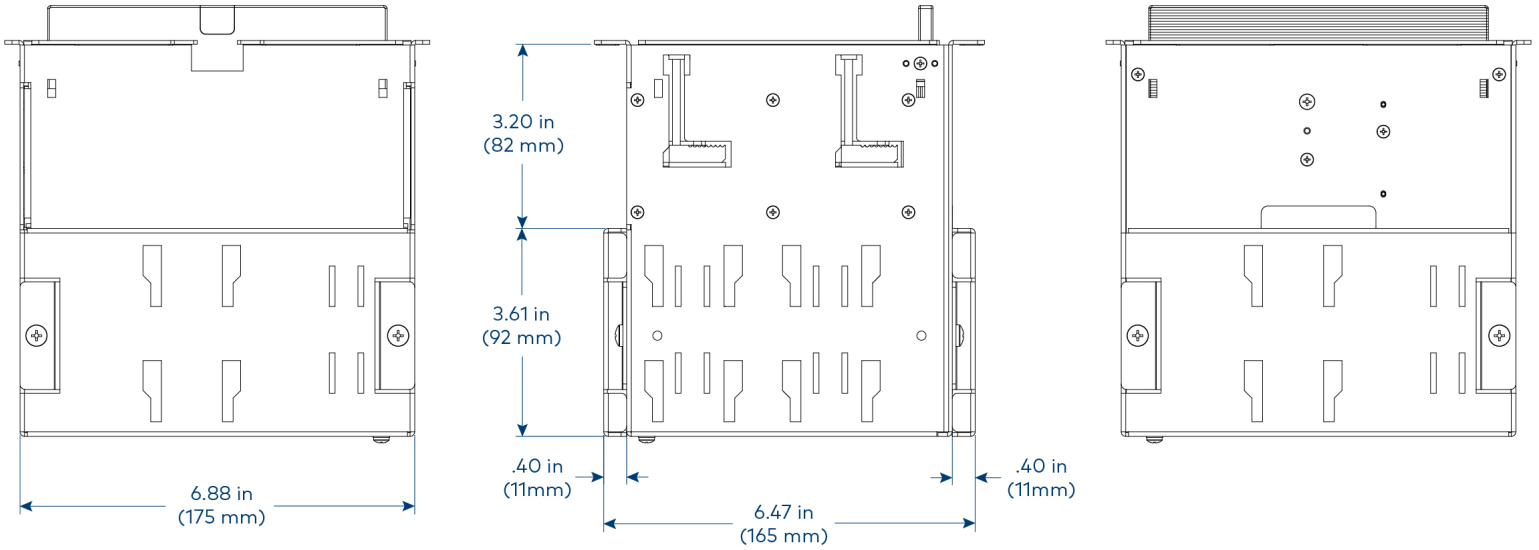
15 Volvo Drive | Rockleigh, NJ 07647  
[www.crestron.com](http://www.crestron.com) | 800.237.2041



# FT2A-CBLR-BRKT-700

## Mid-Row Cable Retractor Adapter Bracket for FT2-700 Series

FT2-700 with two FT2A-CBLR-BRKT-700 (Front, Side, and Rear Views)



Rev 02/06/19