

Crestron **MMK-CB**
Mud Ring Mount Kit

Installation Guide



This document was prepared and written by the Technical Documentation department at:



Crestron Electronics, Inc.
15 Volvo Drive
Rockleigh, NJ 07647
1-888-CRESTRON

All brand names, product names and trademarks are the property of their respective owners.
©2005 Crestron Electronics, Inc.

Mud Ring Mount Kit: MMK-CB

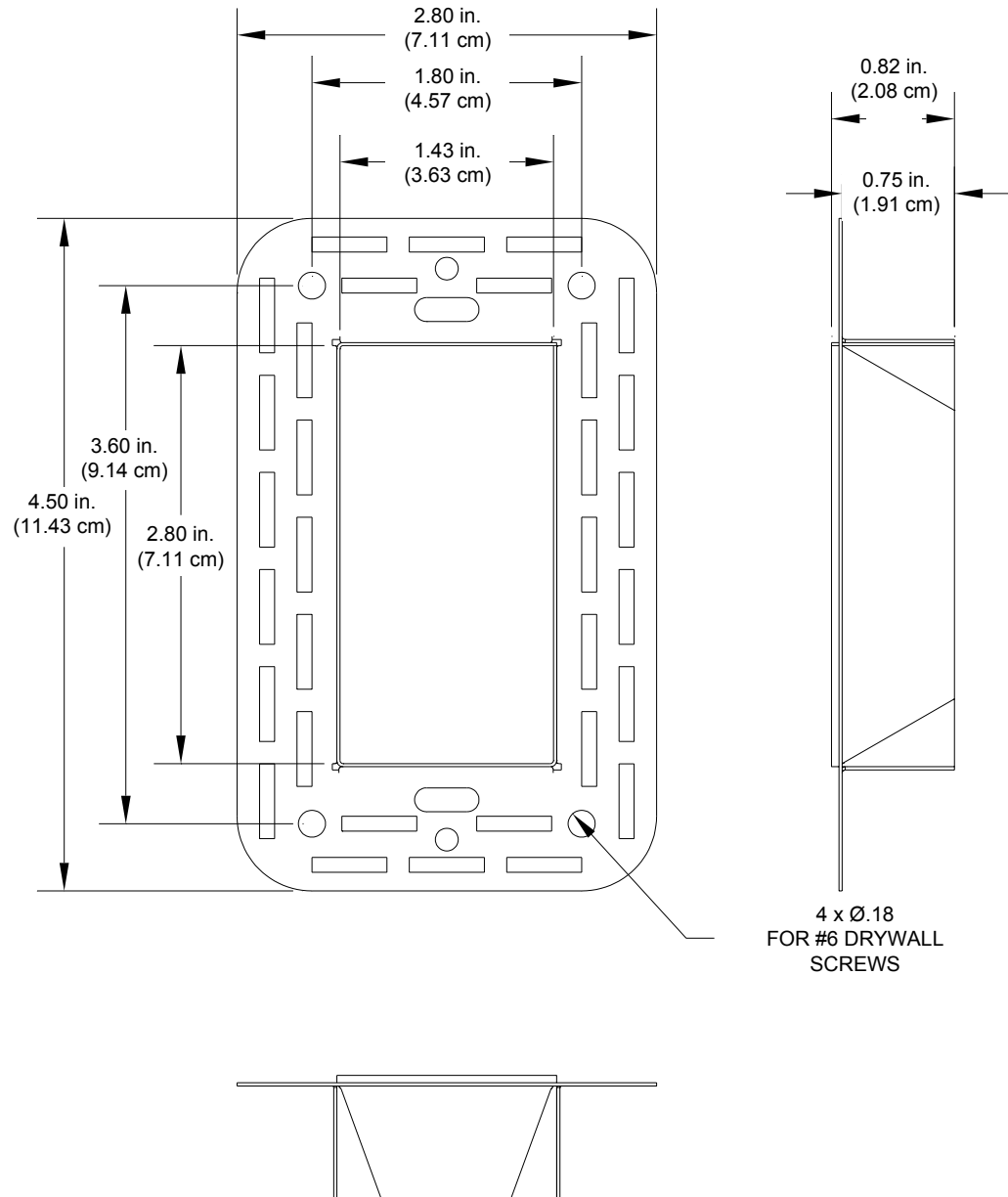
Introduction

This Mud Ring Mount Kit is the preferred mounting option for the Crestron C2N-CB Series of Cameo™ Keypads when cutouts made in the drywall for the flush-mount keypad installation are too large. This kit provides support for additional plastering that can be applied to hide large irregularities in the cutout.

NOTE: This mounting option is intended for flush-mount keypads only. Do not use the C2N-CB with the decorator-style keypads.

Supplied Hardware

The MMK-CB consists of a single part, a metal mud ring plate. Drywall screws to secure the MMK-CB are not supplied. The MMK-CB dimensions are shown after this paragraph.

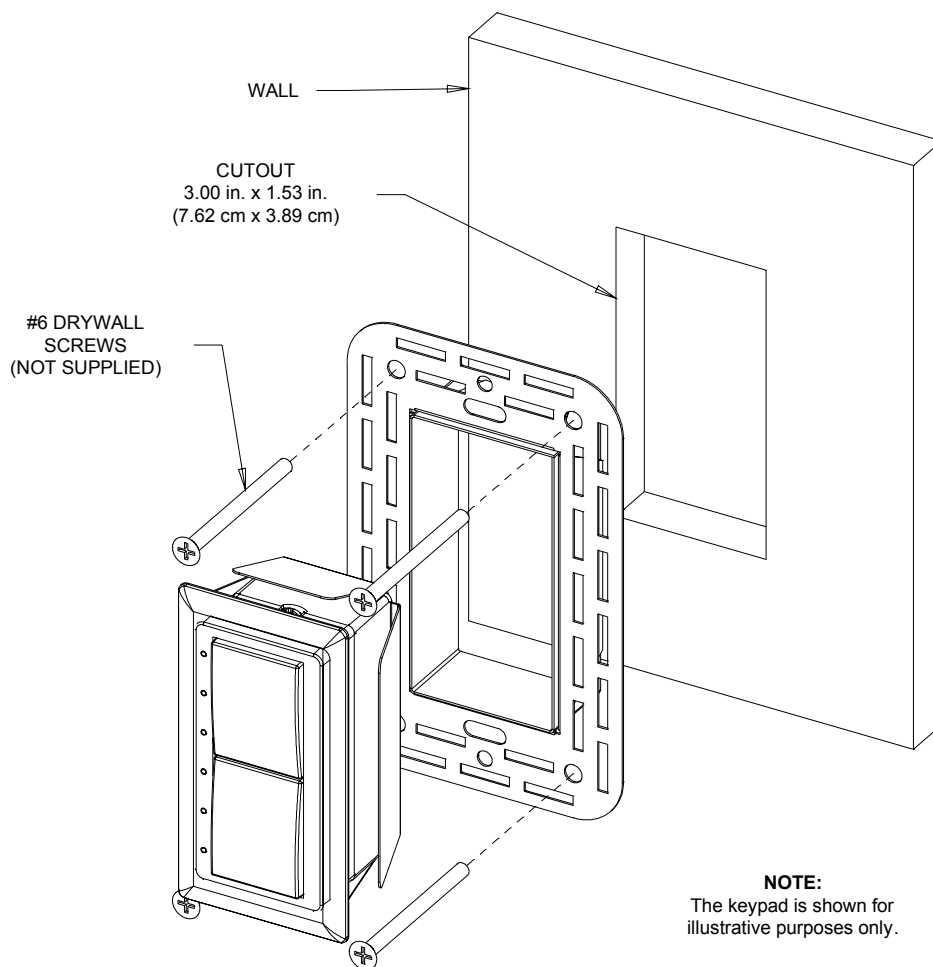
Dimensional Drawing**Installation**

The following procedure provides the necessary steps for the installation of the MMK-CB. It is assumed that the keypad has been assembled and the supplied template has been used to prepare a hole in the wall according to the procedures in the latest version of the C2N-CB Series

Installation Guides (Doc. 6346), available from the Crestron website (<http://www.crestron.com/manuals>). Consequently, it is assumed that the drywall in place has an irregular rectangular cutout thus necessitating the need for the mud ring mount kit. The only tools or materials required and not supplied are a level, four standard drywall screws, Phillips screwdriver, and tools/material to apply drywall joint compound.

1. Insert the metal mud ring plate into the irregular rectangular cutout, as shown in the illustration after this step.

Insert and Secure Metal Mud Ring Plate



2. When the metal mud ring plate is in position, loosely secure with four #6 screws, not supplied (length should not exceed drywall thickness by more than $\frac{1}{2}$ inch).
3. Verify that the mud ring plate is level.

NOTE: Do not over tighten screws. Doing so may over-dimple or rip the mud ring plate.

4. Use a screwdriver and tighten the #6 drywall screws by hand so that they slightly dimple into the holes in the metal mud ring plate.
5. Apply drywall joint compound as needed to finish the cutout.
6. When dry, refer to the latest version of the C2N-CB Series Installation Guides (Doc. 6346) to complete the installation.

Further Inquiries

If you cannot locate specific information or have questions after reviewing this guide, please take advantage of Crestron's award winning customer service team by calling the Crestron corporate headquarters at 1-888-CRESTRON [1-888-273-7876]. For assistance in your local time zone, refer to the Crestron website (www.crestron.com) for a listing of Crestron worldwide offices.

You can also log onto the online help section of the Crestron website to ask questions about Crestron products. First-time users will need to establish a user account to fully benefit from all available features.

As of the date of manufacture, the MMK-CB has been tested and found to comply with specifications for CE marking.



Future Updates

As Crestron improves functions, adds new features, and extends the capabilities of the MMK-CB, additional information may be made available as manual updates. These updates are solely electronic and serve as intermediary supplements prior to the release of a complete technical documentation revision.

Check the Crestron website periodically for manual update availability and its relevance. Updates are identified as an “Addendum” in the Download column.

Return and Warranty Policies

Merchandise Returns / Repair Service

1. No merchandise may be returned for credit, exchange, or service without prior authorization from CRESTRON. To obtain warranty service for CRESTRON products, contact the factory and request an RMA (Return Merchandise Authorization) number. Enclose a note specifying the nature of the problem, name and phone number of contact person, RMA number, and return address.
2. Products may be returned for credit, exchange, or service with a CRESTRON Return Merchandise Authorization (RMA) number. Authorized returns must be shipped freight prepaid to CRESTRON, 6 Volvo Drive, Rockleigh, N.J., or its authorized subsidiaries, with RMA number clearly marked on the outside of all cartons. Shipments arriving freight collect or without an RMA number shall be subject to refusal. CRESTRON reserves the right in its sole and absolute discretion to charge a 15% restocking fee, plus shipping costs, on any products returned with an RMA.
3. Return freight charges following repair of items under warranty shall be paid by CRESTRON, shipping by standard ground carrier. In the event repairs are found to be non-warranty, return freight costs shall be paid by the purchaser.

CRESTRON Limited Warranty

CRESTRON ELECTRONICS, Inc. warrants its products to be free from manufacturing defects in materials and workmanship under normal use for a period of three (3) years from the date of purchase from CRESTRON, with the following exceptions: disk drives and any other moving or rotating mechanical parts, pan/tilt heads and power supplies are covered for a period of one (1) year; touchscreen display and overlay components are covered for 90 days; batteries and incandescent lamps are not covered.

This warranty extends to products purchased directly from CRESTRON or an authorized CRESTRON dealer. Purchasers should inquire of the dealer regarding the nature and extent of the dealer's warranty, if any.

CRESTRON shall not be liable to honor the terms of this warranty if the product has been used in any application other than that for which it was intended, or if it has been subjected to misuse, accidental damage, modification, or improper installation procedures. Furthermore, this warranty does not cover any product that has had the serial number altered, defaced, or removed.

This warranty shall be the sole and exclusive remedy to the original purchaser. In no event shall CRESTRON be liable for incidental or consequential damages of any kind (property or economic damages inclusive) arising from the sale or use of this equipment. CRESTRON is not liable for any claim made by a third party or made by the purchaser for a third party.

CRESTRON shall, at its option, repair or replace any product found defective, without charge for parts or labor. Repaired or replaced equipment and parts supplied under this warranty shall be covered only by the unexpired portion of the warranty.

Except as expressly set forth in this warranty, CRESTRON makes no other warranties, expressed or implied, nor authorizes any other party to offer any warranty, including any implied warranties of merchantability or fitness for a particular purpose. Any implied warranties that may be imposed by law are limited to the terms of this limited warranty. This warranty statement supercedes all previous warranties.

Trademark Information

All brand names, product names, and trademarks are the sole property of their respective owners. Windows is a registered trademark of Microsoft Corporation. Windows95/98/Me and WindowsNT/2000 are trademarks of Microsoft Corporation.



Crestron Electronics, Inc.
15 Volvo Drive Rockleigh, NJ 07647
Tel: 888.CRESTRON
Fax: 201.767.7576
www.crestron.com

Operations Guide - DOC. 6381
(2013229)

08.05

Specifications subject to
change without notice.