

Crestron Touchpanels

Wallmount Touchpanel Mounting Options/Accessories

quickstart guide

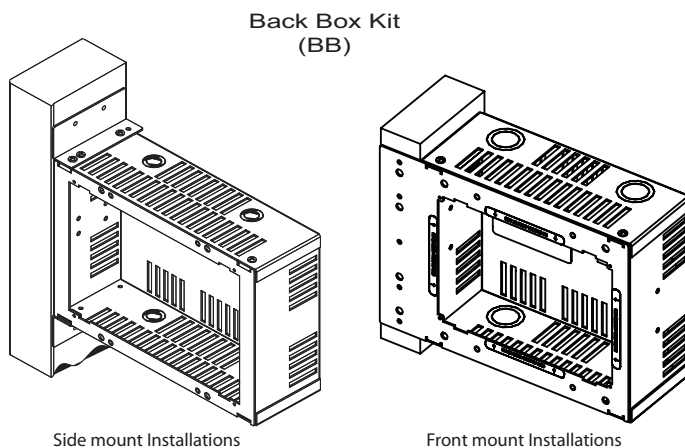
This guide covers mounting options and accessories for wallmount/surfacemount touchpanels.

NOTE: The illustrations in this guide are representative of a mounting option or accessory type. The main difference in option/accessory types for each touchpanel series is size and, where applicable, the number of screws required.

Pre-Construction Options

Pre-construction options - Back Box Kit (BB) and Pre-Construction Mount Kit (PMK) - are installed prior to hanging drywall or other wall surface material, and require access to an adjacent structural support (stud). The Trim Mount Kit (TMK) and Mud Mount Kit (MMK) accessories are used to correct irregularities in the holes cut in the mounting surface.

NOTE: Make certain the template used to mark the opening in the mounting surface is level (if on a wall), or square to the front edge (if on a lectern). Cut the opening carefully, the mounting options provide for only minor position adjustment.

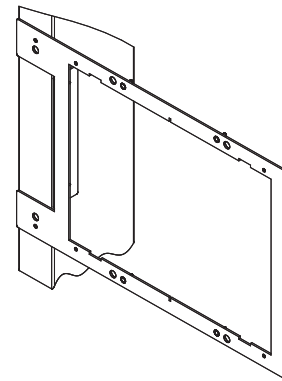


Side mount Installations

Front mount Installations

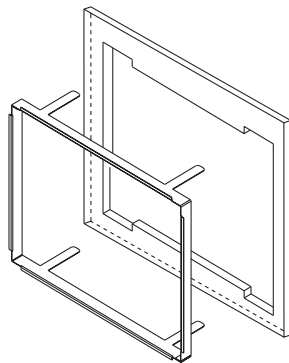
Use in installations where a back box is either required or preferred.

Pre-Construction Mount Kit (PMK)



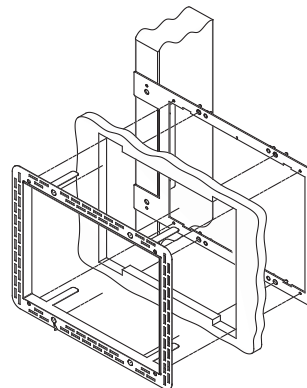
Use in installations where a back box is not required or not preferred.

Trim Mount Kit (TMK)



Use with BB or PMK installations for smaller irregularities around the opening. This option provides a smooth, finished appearance and is preferred when wallpaper is hung.

Mud Mount Kit (MMK)



Use with BB or PMK installations to fill in larger irregularities around the opening. This option requires plastering.

1

For details, check the latest revision of the appropriate mounting kit Installation Guide for your touchpanel.

QUICKSTART DOC. 6140D (2001953) 10.07

800.237.2041
201.767.3400

www.crestron.com
©2007 Specifications subject to
change without notice

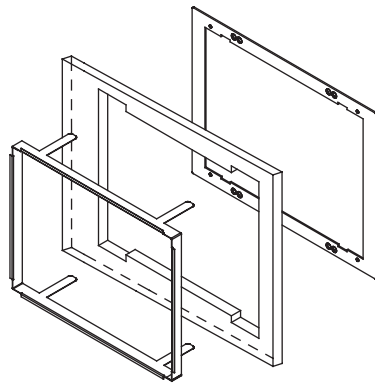
Crestron Touchpanels

Wallmount Touchpanel Mounting Options/Accessories

Post-Construction Options

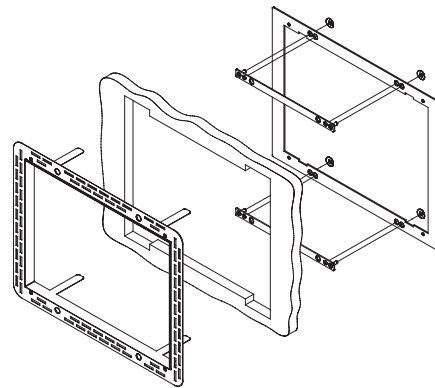
Post-construction options (WMKT, WMKM, WMKB) are for mounting to finished walls or other surfaces where access to a structural support member (stud) is not possible or does not apply (e.g., lectern mount).

Wall Mount Kit with Trim Ring (WMKT)



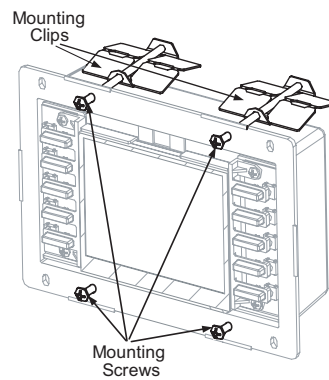
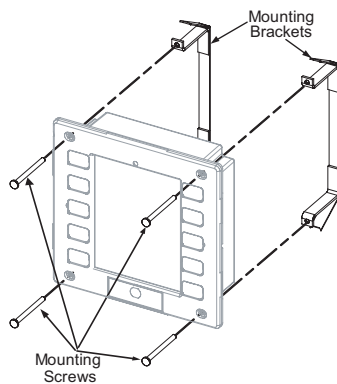
Used to fill in smaller irregularities around the opening. This option provides a smooth, finished appearance and is preferred when wallpaper is hung.

Wall Mount Kit with Mud Ring (WMKM)



Used to correct larger irregularities around the opening. This option requires plastering.

Wall Mount Kit - Bracket (WMKB)



These kits are used to secure the touchpanel directly to the mounting surface without requiring an internal mounting plate. The specific mounting hardware used depends on the touchpanel. After installation, the mounting screws are hidden by the touchpanel bezel (not shown).