

# SWE-8

## Sonnex™ Multiroom Audio Expansion Switcher, 8 Zone

### 1 Introduction

The SWE-8 is an audio expansion switcher for use with the SWAMP(I)-24X8 Sonnex™ Multiroom Audio System.

### 2 Hardware Hookup

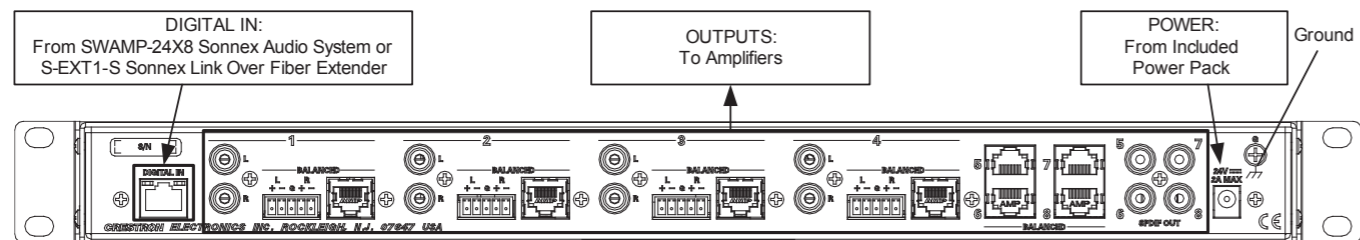
#### Connect the Device

Make connections to the SWE-8 as shown in the following diagram.



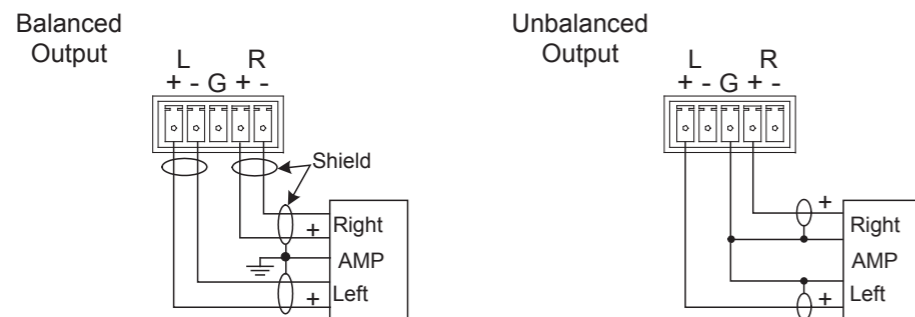
**CAUTION:** Apply power after all other wiring is complete.

**CAUTION:** Check all wires for shorts and frayed wiring around the **BALANCED** connectors.



#### Balanced/Unbalanced Audio Outputs (5-Pin Connector)

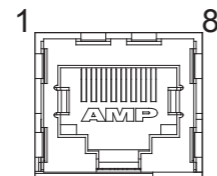
Four balanced/unbalanced audio outputs are provided, utilizing 5-pin terminal block connectors. For connection details, refer to the following diagrams.



#### Crestron Home® (CH) Balanced/Unbalanced Audio Outputs

Four balanced/unbalanced Crestron Home audio outputs are provided, utilizing RJ-45 connectors with CAT5 wiring. For connection details, refer to the following table for connector pinouts.

PIN	WIRE COLORS (568B)	AUDIO OUTPUT
1	WHITE/ORANGE	+ Left Out
2	ORANGE	- Left Out
3	WHITE/GREEN	+ Right Out
4	BLUE	N/A
5	WHITE/BLUE	N/A
6	GREEN	- Right Out
7	WHITE/BROWN	N/A
8	BROWN	N/A



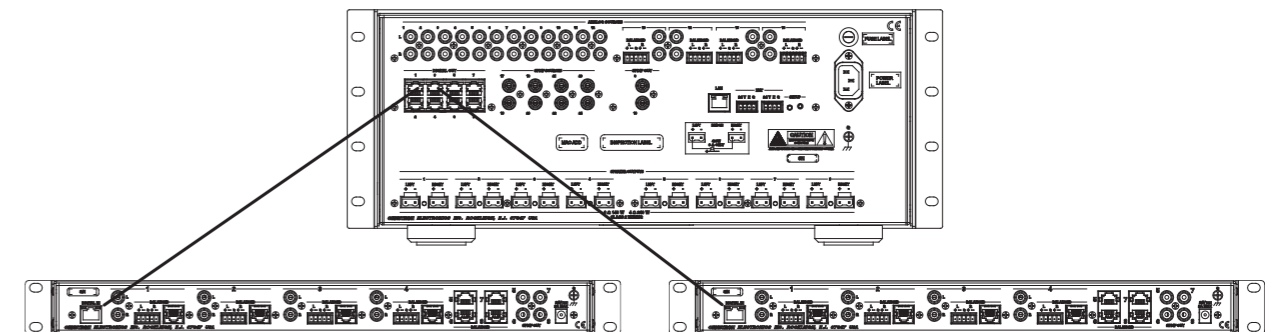
#### Connect to the SWAMP-24X8 Audio System or S-EXT1-S Sonnex Link Over Fiber Extender

The SWE-8 must be connected to a SWAMP-24X8 or S-EXT1-S via shielded CAT5 cable.

**NOTE:** When the SWAMP-24X8 is connected to a control system by Cresnet®, only one SWE-8 can be connected.

**NOTE:** When connecting a SWAMP-24X8 or a S-EXT1-S, Crestron® recommends using Crestron DM-CBL-8G or high-quality CAT5e shielded twisted-pair cable. Shielded connectors such as the DM-8G-CONN (sold separately) must be used.

**NOTE:** The maximum cable length between a SWAMP-24X8/S-EXT1-S and SWE-8 is 200 feet (61 meters).



### 3 Operations



The SWE-8 operates in either *Zone* mode or *Source* mode. The SWE-8's operating mode is determined by the operating mode of the SWAMP-24X8. For information on operating the SWAMP-24X8, refer to the latest version of the SWAMP(I)-24X8 Sonnex Multiroom Audio System Operations Guide (Doc. 7049) which is available from the Crestron Web site ([www.crestron.com/manuals](http://www.crestron.com/manuals)).

#### Zone Mode

*Zone* mode uses the SWAMP-24X8's front panel to route a source signal to a selected zone. To enter *Zone* mode:

1. Place the SWAMP-24X8 in *Zone* mode.
2. Press the **ZONE** button of the zone to be controlled.
3. Press the **SOURCE** button of the source to be routed. The associated **SOURCE** and **ZONE** LEDs light. Alternatively, press the **ZONE** button twice to turn on the zone and connect the last-selected source.

#### Source Mode

*Source* mode uses the SWAMP-24X8's front panel to select a source signal and route it to multiple zones. To enter *Source* mode:

1. Place the SWAMP-24X8 in *Source* mode.
2. On the SWAMP-24X8, press the **SOURCE** button of the source to be routed. The associated **SOURCE** LED lights.
3. On the SWE-8, press the **ZONE** buttons of the zones to be selected. The associated **ZONE** LED(s) lights. To remove a zone from a source, press the desired **ZONE** button. The associated **ZONE** LED turns off.

The specific patents that cover Crestron products are listed at [patents.crestron.com](http://patents.crestron.com).

Crestron, the Crestron logo, Cresnet, Crestron Home, and Sonnex are either trademarks or registered trademarks of Crestron Electronics, Inc. in the United States and/or other countries. Other trademarks, registered trademarks and trade names may be used in this document to refer to either the entities claiming the marks and names or their products. Crestron disclaims any proprietary interest in the marks and names of others.  
©2012 Crestron Electronics, Inc.

For details, refer to the latest revision of the SWE-8 Operations Guide, Doc. 7202.

**QUICKSTART DOC. 7203A (2033121) 05.12**

[www.crestron.com](http://www.crestron.com) | 888.273.7876 | 201.767.3400

Specifications subject to change without notice.

