



**Description**

A variety of accessories are available with Crestron® shades. These accessories may be used in circumstances where concealing the shade is desirable or where blackout conditions are required (e.g., in a movie room).

**Additional Resources**

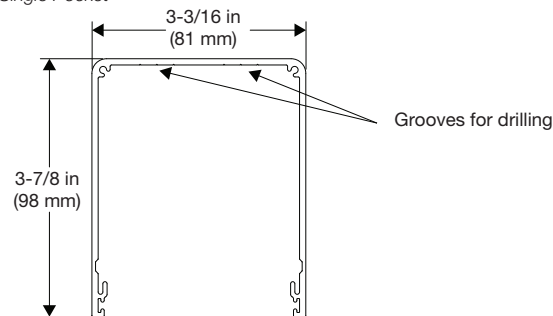
Visit the product page on the Crestron website ([www.crestron.com](http://www.crestron.com)) for additional information and the latest firmware updates. Use a QR reader application on your mobile device to scan the QR image.



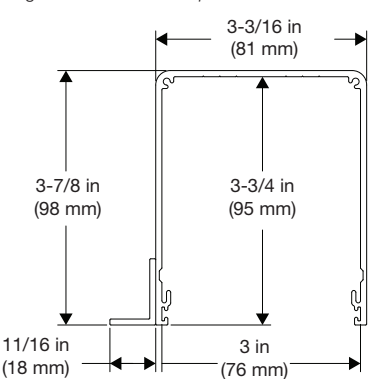
**Pockets**

A single pocket and a dual pocket are available. Prefabricated pockets reduce the need for custom framing for the shade and allow an easy installation. A single pocket and a dual pocket are available for installations where the pocket cannot be built into the window frame (retrofit applications). The inside of the pocket contains grooved lines for easy drilling and for reducing the need for a center punch. Both pockets are available with a tile lip that supports the edge of a ceiling tile.

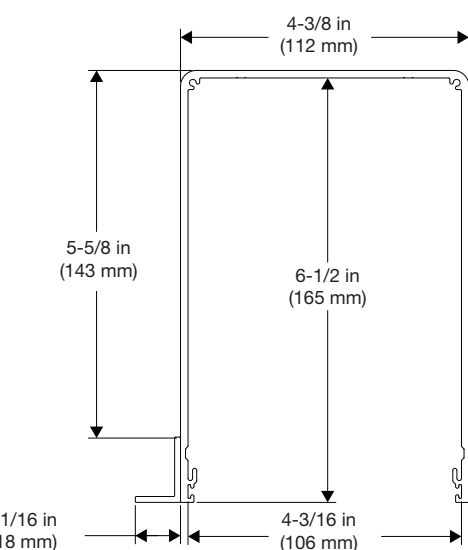
Single Pocket



Single Pocket with Tile Lip



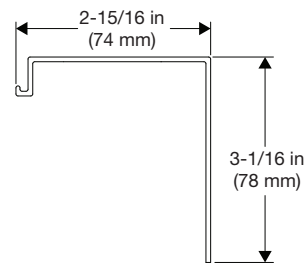
Dual Pocket



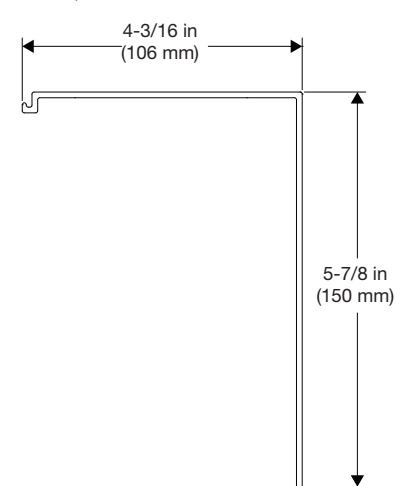
**Top and Back Cover**

The top and back cover allows the shade hardware to be concealed when the shade is viewed from above and when the shade is viewed from outside the window. Top and back covers available are for single brackets (CSA-ARCH3-BRKT and CSA-ARCH3-BRKT-MAN) and dual brackets (CSA-ARCH3-BRKT-DUAL).

Single Top and Back Cover



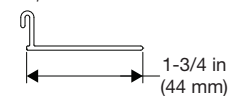
Dual Top and Back Cover



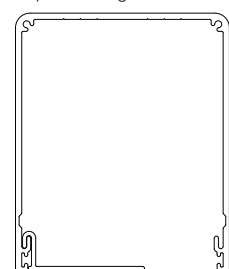
**Flap**

The flap is an accessory that attaches to the inside of the pocket from the room or window side of the pocket. It blocks the opening at the bottom of the pocket so that the shade and hardware cannot be seen. The flap can also attach to a hanger.

Flap



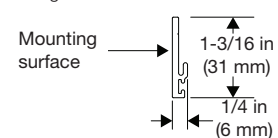
Flap Mounting to a Pocket



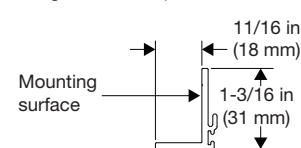
**Hanger**

Hangers are designed to mount to the edge of a custom fabricated pocket to hold a flap. The hanger should be mounted inside the pocket. The hanger with a tile lip is used where there is a drop ceiling. The side of the hanger contains a grooved line for easy drilling and for reducing the need for a center punch.

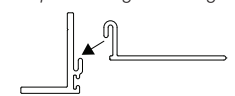
Hanger



Hanger with Tile Lip



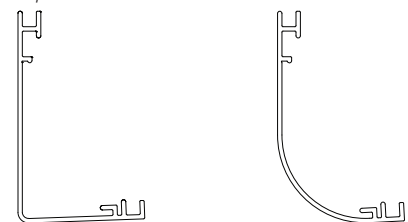
Flap Attaching to a Hanger



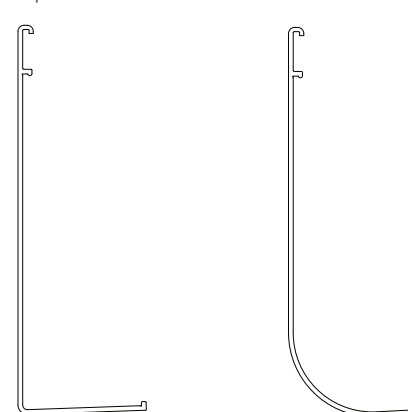
**Fascia**

The fascia is available square or round and is designed to fit single brackets (CSA-ARCH3-BRKT) and dual brackets (CSA-ARCH3-BRKT-DUAL). A smaller square fascia is designed to work with manual shades (CSA-ARCH3-BRKT-MAN) so that the chain can be operated without contacting the fascia. The fascia snaps onto the tabs of the mounting bracket.

Square and Round Fascias: CSA-ARCH3-BRKT



Square and Round Fascias: CSA-ARCH3-BRKT-DUAL



Square Fascia: CSA-ARCH3-BRKT-MAN

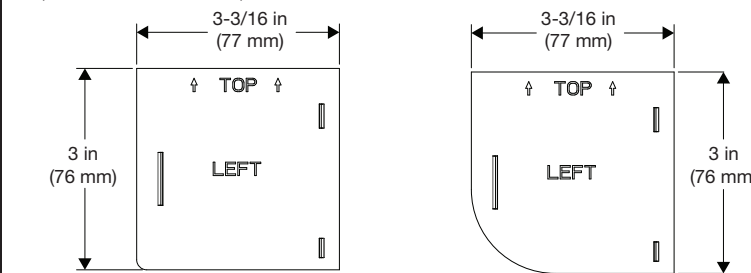


**End Caps**

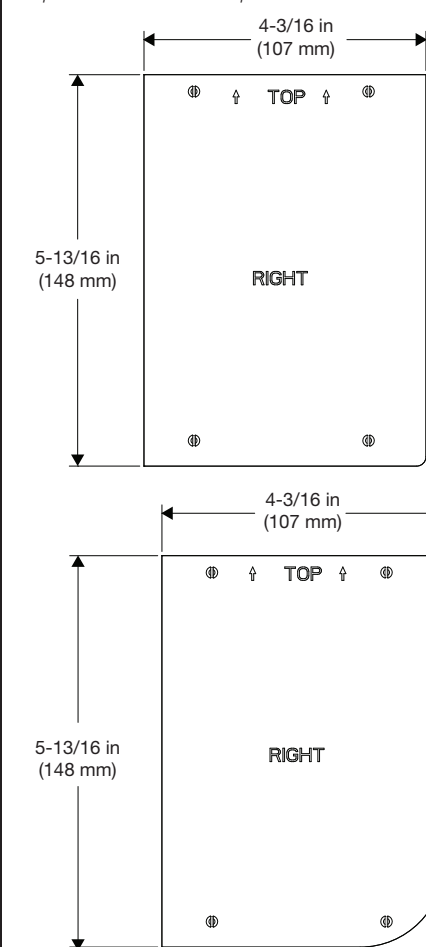
Bracket end caps are available for use with fascia and the top and back cover. Pocket end caps are available for use with pockets that are not recess-mounted and will be exposed to the room.

There are square or round end caps that are sized to fit single shade brackets (CSA-ARCH3-BRKT and CSA-ARCH3-BRKT-MAN) and dual brackets (CSA-ARCH3-BRKT-DUAL). Round end caps must be used with a round fascia, and square end caps must be used with a square fascia. The end caps snap onto the side of the bracket. Use the printed directions on the end caps to install them in the proper orientation and on the proper side of the shade.

Square and Round End Caps: CSA-ARCH3-BRKT and CSA-ARCH3-BRKT-MAN

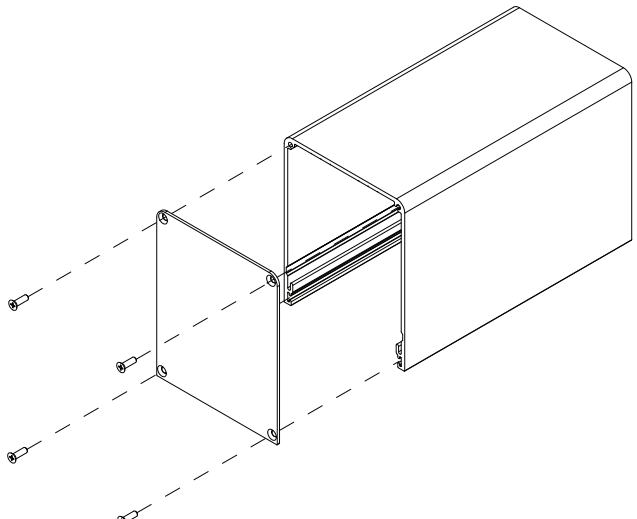


Square and Round End Caps: CSA-ARCH3-BRKT-DUAL

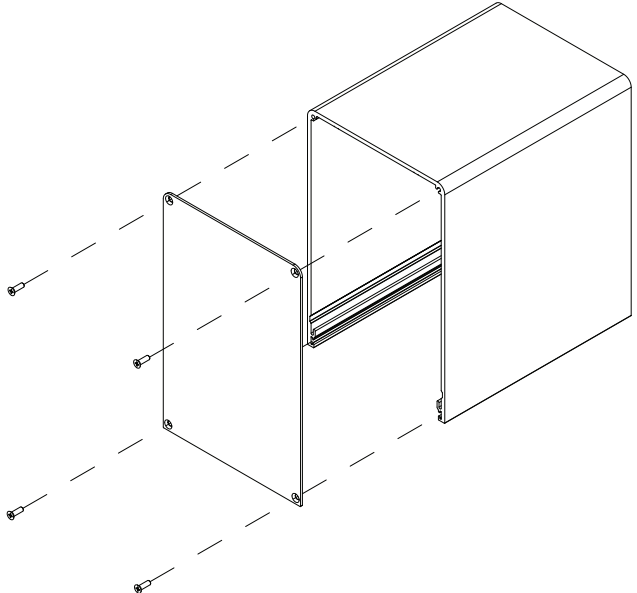


Use the supplied screws to attach the pocket end caps.

Attaching the End Cap to a Single Pocket



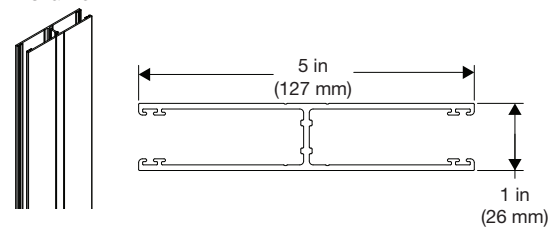
Attaching the End Cap to a Dual Pocket



**H-Channel**

The H-channel is used between two shades for blackout applications. The face of the H-channel has grooved lines for easy drilling and for reducing the need for a center punch. The opposite side of the H-channel is smooth. Plugs are available to conceal holes in the channel. Use a 3/8-inch drill bit.

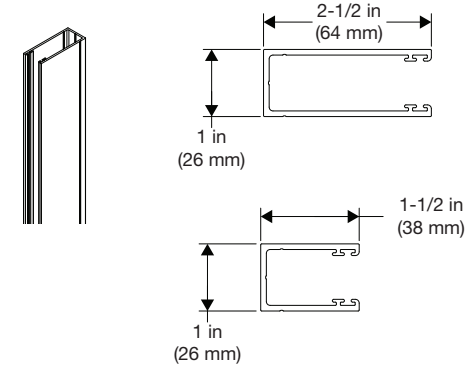
H-Channel



**U-Channel**

The U-channel is used on the sides of shades for blackout applications. The U-channel comes in 2-1/2 in (64 mm) and 1-1/2 in (38 mm) widths. The face of the U-channel has a grooved line for easy drilling and for reducing the need for a center punch. The opposite side of the U-channel is smooth. Plugs are available to conceal holes in the channel. Use a 3/8-inch drill bit.

U-Channel

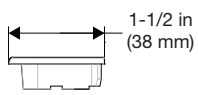
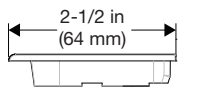
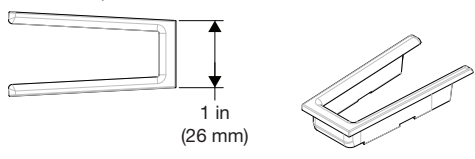


**Channel Cap**

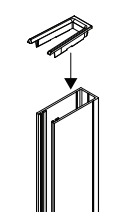
H-channels and U-channels come with caps to provide a clean finish on the cut ends. The channel caps can fit the 2-1/2 in (64 mm) or 1-1/2 in (38 mm) channel widths. The channel caps press into place. Four channel caps come with the H-channel; two channel caps come with the U-channel.

**CAUTION:** The channel cap must be used on the top of the H-channel or U-channel in order to prevent damage to the shade fabric.

Channel Cap



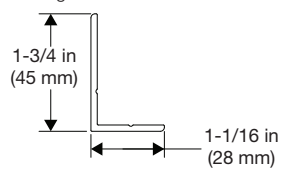
Inserting the Channel Cap into a U-Channel



**Sill Angle**

The sill angle is used for blackout applications by preventing light leaks along the bottom of the shade. The sill angle is used in conjunction with a blackout hembar. The side of the sill angle contains a grooved line for easy drilling and for reducing the need for a center punch.

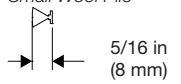
Sill Angle



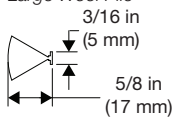
**Wool Pile**

The wool pile comes in two sizes. Small wool piles are installed in U- or H-channels and large wool piles are installed in pockets. The wool pile is used to help block light from a room. When ordered with the shade, wool pile is typically preinstalled in the U- or H-channel and pocket.

Small Wool Pile



Large Wool Pile



Product warranty can be found at [www.crestron.com/warranty](http://www.crestron.com/warranty).  
 The specific patents that cover Crestron products are listed at [patents.crestron.com](http://patents.crestron.com).  
 Certain Crestron products contain open source software. For specific information, please visit [www.crestron.com/opensource](http://www.crestron.com/opensource).  
 Crestron, the Crestron logo, and QMT are either trademarks or registered trademarks of Crestron Electronics, Inc. in the United States and/or other countries. Other trademarks, registered trademarks, and trade names may be used in this document to refer to either the entities claiming the marks and names or their products. Crestron disclaims any proprietary interest in the marks and names of others. Crestron is not responsible for errors in typography or photography.

This document was written by the Technical Publications department at Crestron.  
 ©2017 Crestron Electronics, Inc.

**Crestron Electronics, Inc.**  
 15 Volvo Drive Rockleigh, NJ 07647  
 Tel: 888.CRESTRON  
 Fax: 201.767.7576  
[www.crestron.com](http://www.crestron.com)

**Installation Guide - DOC. 7731D**  
**(2042806)**  
**01.17**  
 Specifications subject to change without notice.